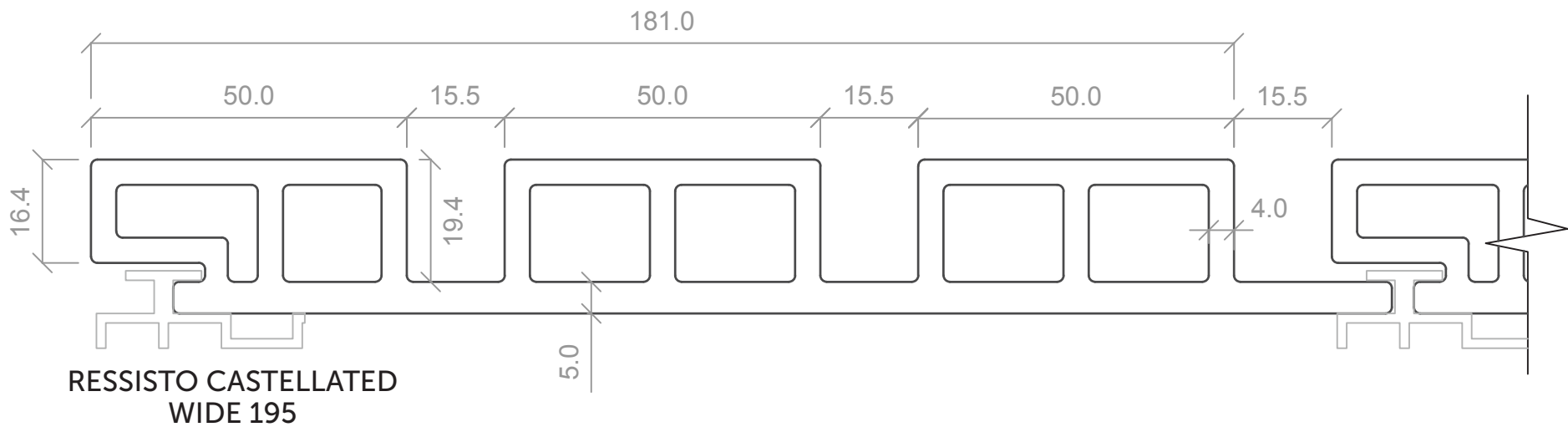
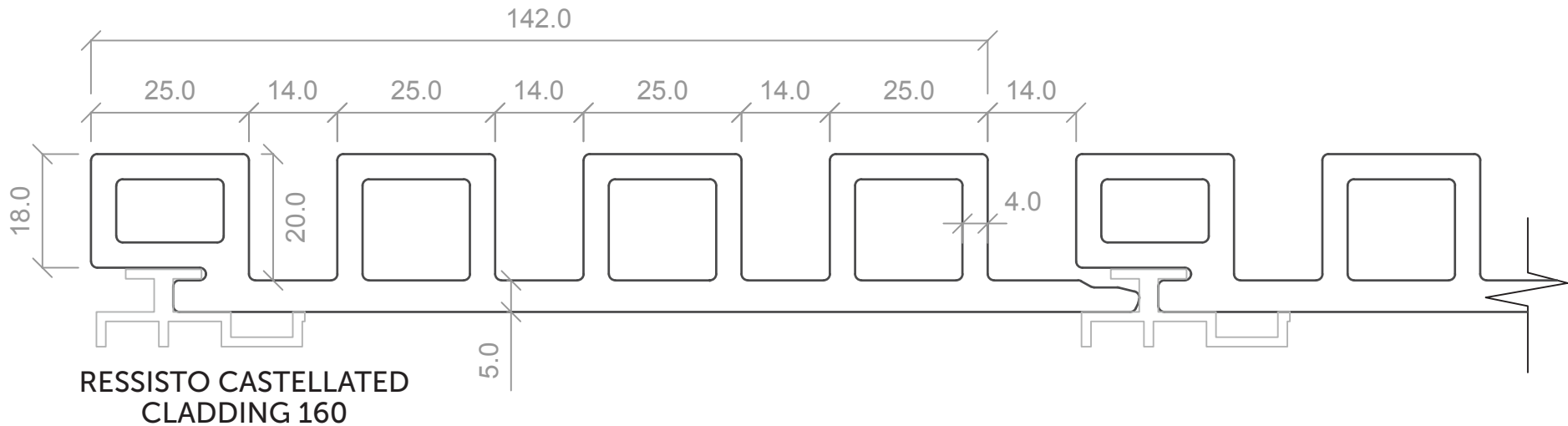


REVISIONS:			
REV:	DESCRIPTION:	BY:	DATE:
A	description	by	xx/xx/xx



SITE:	XXX	XX	XX	MM,DD,YY
		DRAWING NO.	PROJECT NO.	DATE.
TITLE:	PANEL SIZES	1:1	AD	XX
		SCALE AT A4.	DRAWN.	CHECKED.
			00	REVISION.

PAVEEZZI
COMPOSITES™

142-150 Cooper Street, Epping Victoria 3076
 © info@paveezzicomposites.com.au | 1800 pavezi
 www.paveezzicomposites.com.au

REVISIONS:			
REV:	DESCRIPTION:	BY:	DATE:
A	description	by	xx/xx/xx

EXTERIOR SHEATHING
BY OTHERS

A/V BARRIER BY OTHERS

PAVEZZI PANEL

Z BAR IF REQUIRED

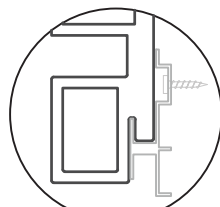
PAN HEAD SCREW

STARTER CLIP

FLASHING

CAULKING W/BACKER ROD
BY OTHERS

WINDOW HEAD



Tip: For small areas, flipped clips
can consider as a Starter

HORIZ. INST. AT WINDOW HEAD

SITE:

XXX

XX

DRAWING NO.

XX

PROJECT NO.

MM,DD,YY

DATE.

TITLE:

JOINT DETAIL @ WINDOW HEAD

1:2

SCALE AT A4.

AD

DRAWN.

XX

CHECKED.

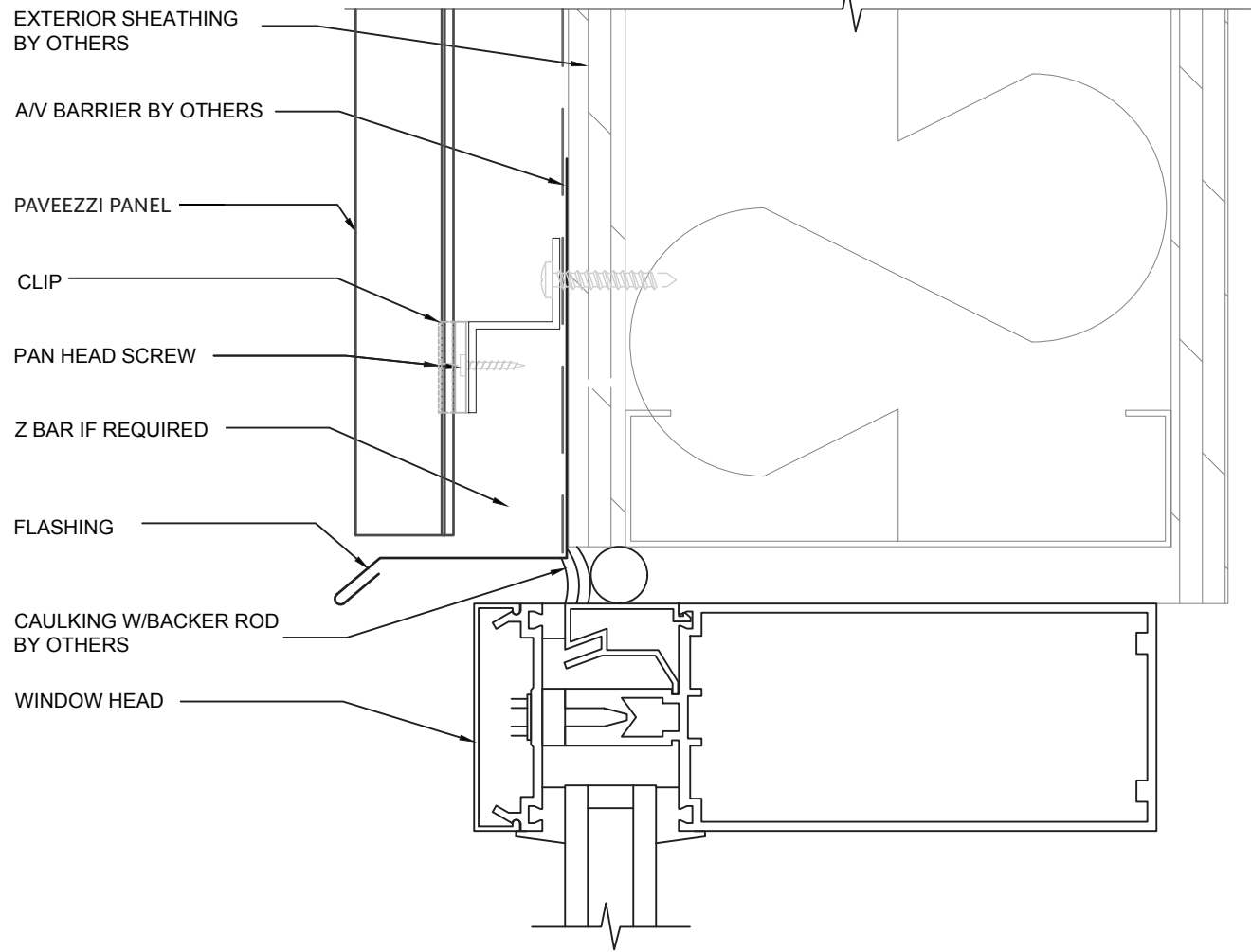
00

REVISION.

PAVEZZI
COMPOSITES™

142-150 Cooper Street, Epping Victoria 3076
© info@pavezzicomposites.com.au | 1800 pavezi
www.pavezzicomposites.com.au

REVISIONS:			
REV:	DESCRIPTION:	BY:	DATE:
A	description	by	xx/xx/xx



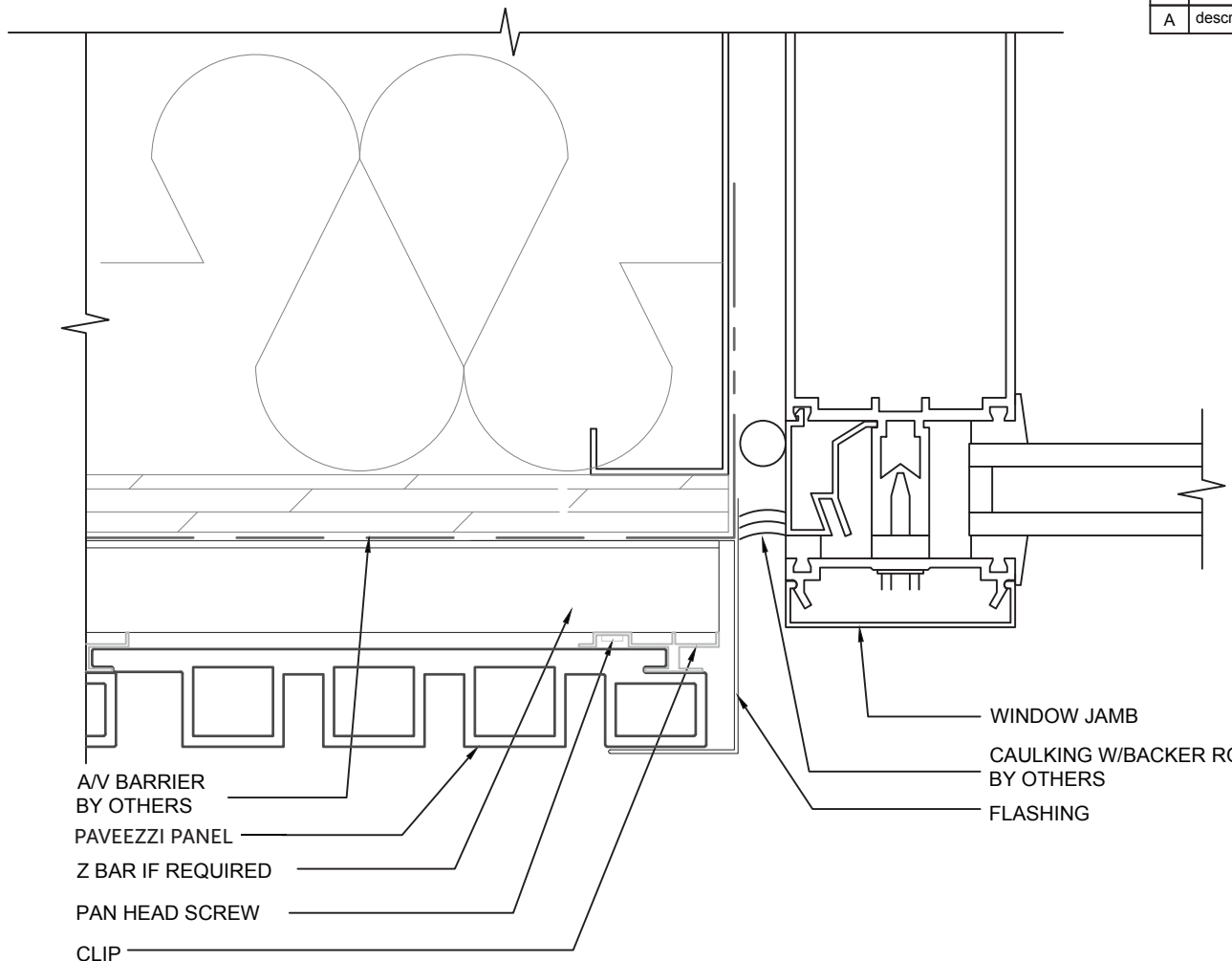
VERT. INST. AT WINDOW HEAD

SITE: XXX	DRAWING NO. XX	PROJECT NO. XX	DATE. MM,DD,YY
TITLE: JOINT DETAIL @ WINDOW HEAD	SCALE AT A4. 1:2	DRAWN. AD	REVISION. XX 00



 142-150 Cooper Street, Epping Victoria 3076
 © info@pavezzicomposites.com.au | 1800 pavezi
 www.pavezzicomposites.com.au

REVISIONS:			
REV:	DESCRIPTION:	BY:	DATE:
A	description	by	xx/xx/xx



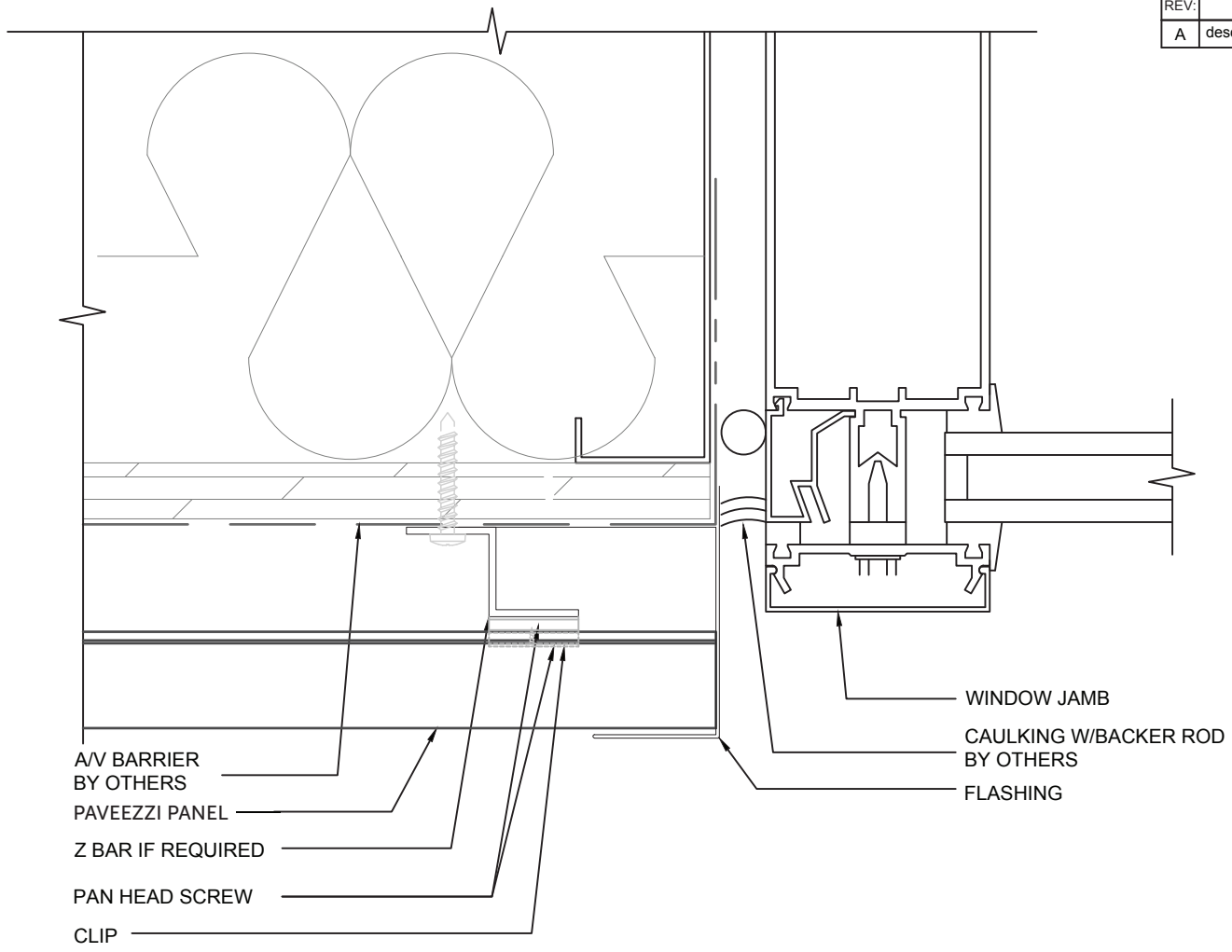
VERT. INST. AT WINDOW JAMB

SITE: XXX	DRAWING NO. XX	PROJECT NO. XX	DATE. MM,DD,YY
TITLE: JOINT DETAIL @ WINDOW JAMB	SCALE AT A4. 1:2	DRAWN. AD	REVISION. XX 00



 142-150 Cooper Street, Epping Victoria 3076
 © info@pavezzicomposites.com.au | 1800 pavezi
 www.pavezzicomposites.com.au

REVISIONS:			
REV:	DESCRIPTION:	BY:	DATE:
A	description	by	xx/xx/xx



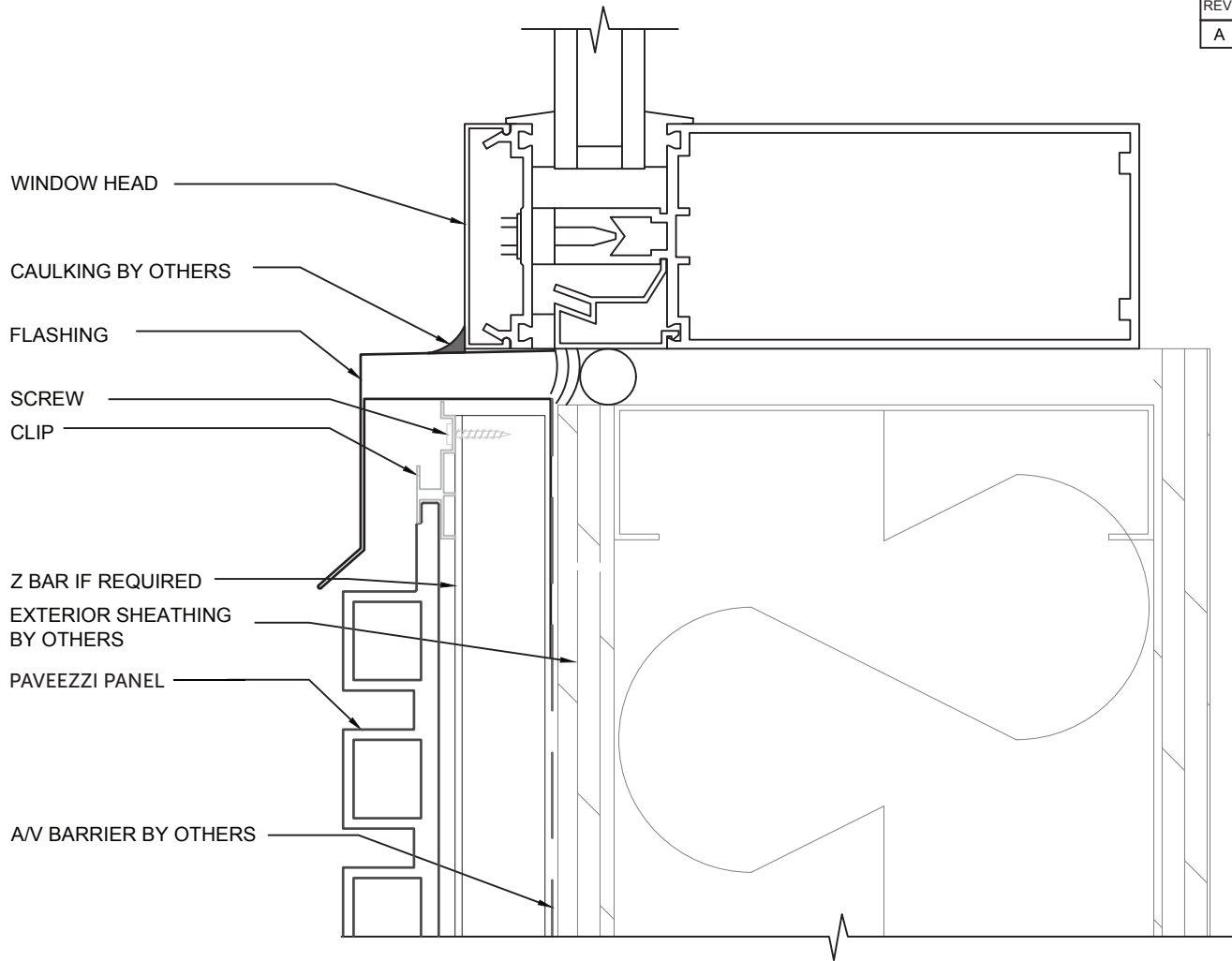
HORIZ. INST. AT WINDOW JAMB

SITE:	XXX	XX	XX	MM,DD,YY
		DRAWING NO.	PROJECT NO.	DATE.
TITLE:	JOINT DETAIL @ WINDOW JAMB	1:2	AD	XX
		SCALE AT A4.	DRAWN.	CHECKED.
				00
				REVISION.


PAVEZZI
COMPOSITES™

142-150 Cooper Street, Epping Victoria 3076
 © info@pavezzicomposites.com.au | 1800 pavezi
 www.pavezzicomposites.com.au

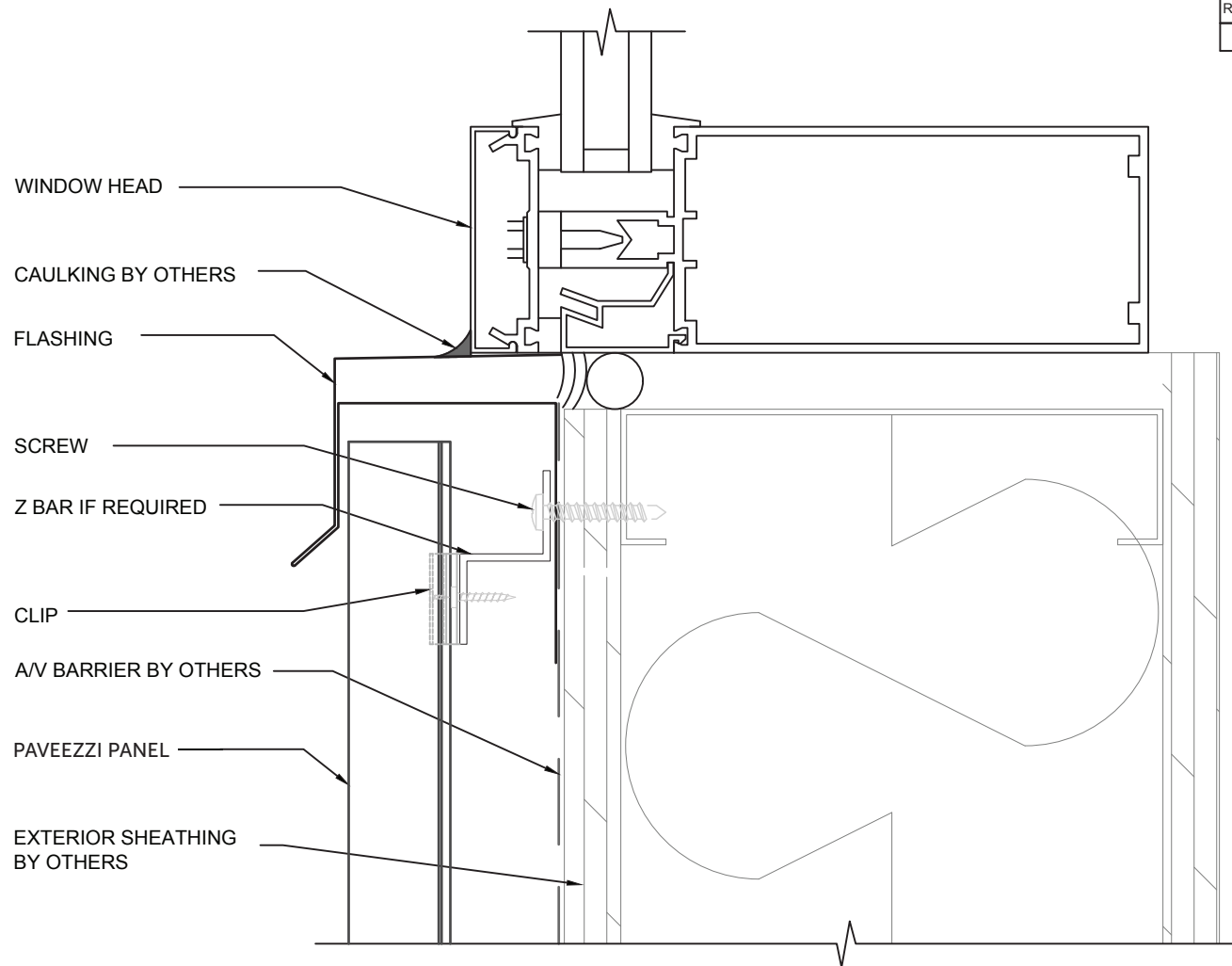
REVISIONS:			
REV:	DESCRIPTION:	BY:	DATE:
A	description	by	xx/xx/xx



HORIZ. INST. AT WINDOW SILL

SITE: XXX	XX DRAWING NO.		XX PROJECT NO.	MM,DD,YY DATE.	 <p>142-150 Cooper Street, Epping Victoria 3076 © info@pavezzicomposites.com.au 1800 pavezi www.pavezzicomposites.com.au</p>
	TITLE: JOINT DETAIL @ WINDOW SILL	1:2 SCALE AT A4.	AD DRAWN.	XX CHECKED.	

REVISIONS:			
REV:	DESCRIPTION:	BY:	DATE:
A	description	by	xx/xx/xx



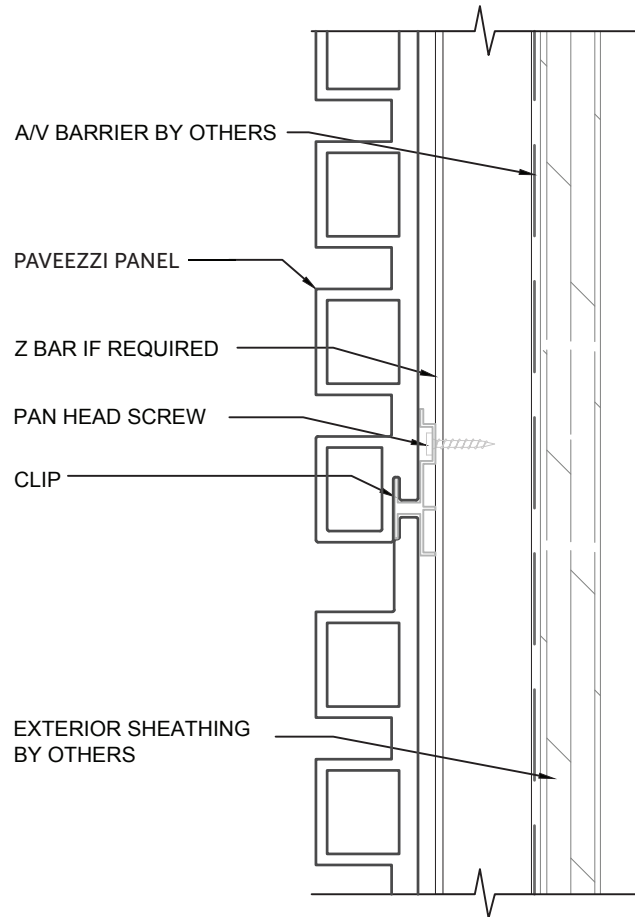
VERT. INST. AT WINDOW SILL

SITE: XXX	XX DRAWING NO.	XX PROJECT NO.	MM,DD,YY DATE.
TITLE: JOINT DETAIL @ WINDOW SILL	1:2 SCALE AT A4.	AD DRAWN.	XX 00 CHECKED. REVISION.

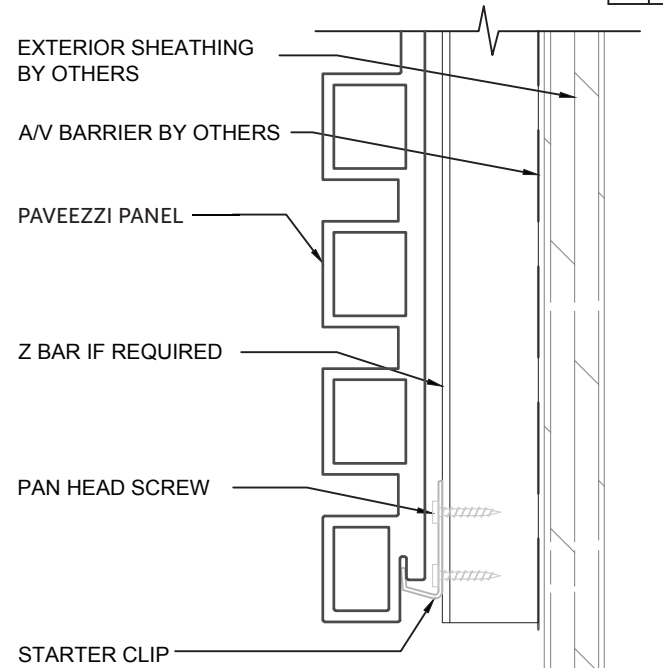
PAVEZZI
COMPOSITES™

142-150 Cooper Street, Epping Victoria 3076
 © info@pavezzicomposites.com.au | 1800 pavezi
 www.pavezzicomposites.com.au

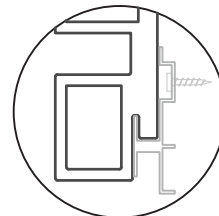
REVISIONS:			
REV:	DESCRIPTION:	BY:	DATE:
A	description	by	xx/xx/xx




HORIZONTAL JOINT TYP.



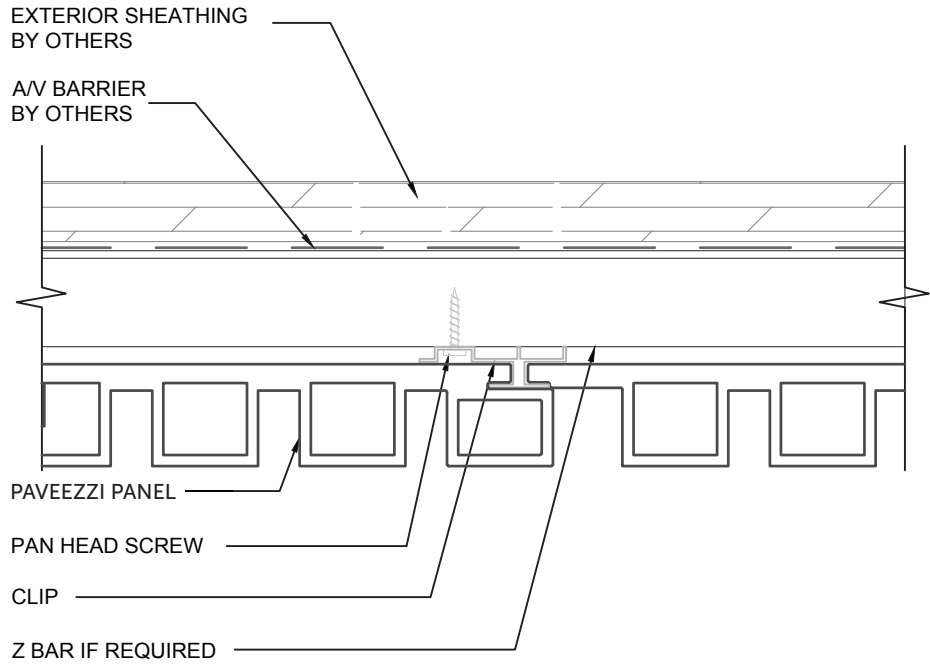
HORIZONTAL INS. END




Tip: For small areas, flipped clips can consider as a Starter

SITE: XXX	DRAWING NO. XX	PROJECT NO. XX	DATE. MM,DD,YY	 <p>142-150 Cooper Street, Epping Victoria 3076 © info@pavezzicomposites.com.au 1800 pavezi www.pavezzicomposites.com.au</p>
TITLE: JOINTS HORIZONTAL	SCALE AT A4. 1:2	DRAWN. AD	REVISION. XX 00	

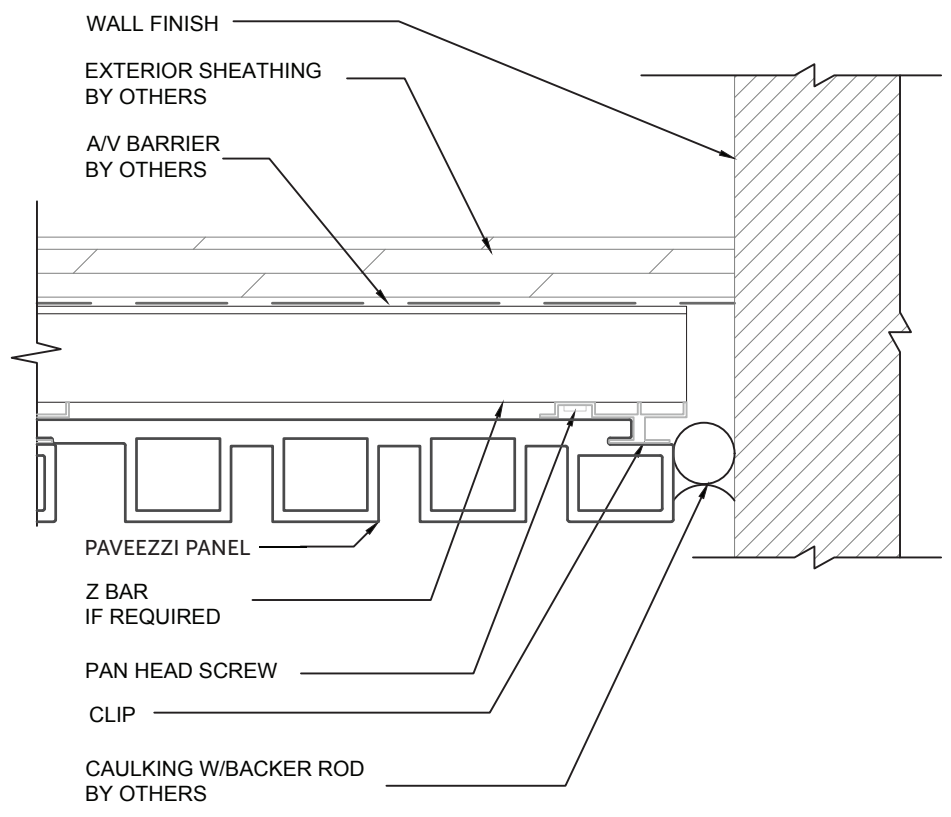
REVISIONS:			
REV:	DESCRIPTION:	BY:	DATE:
A	description	by	xx/xx/xx



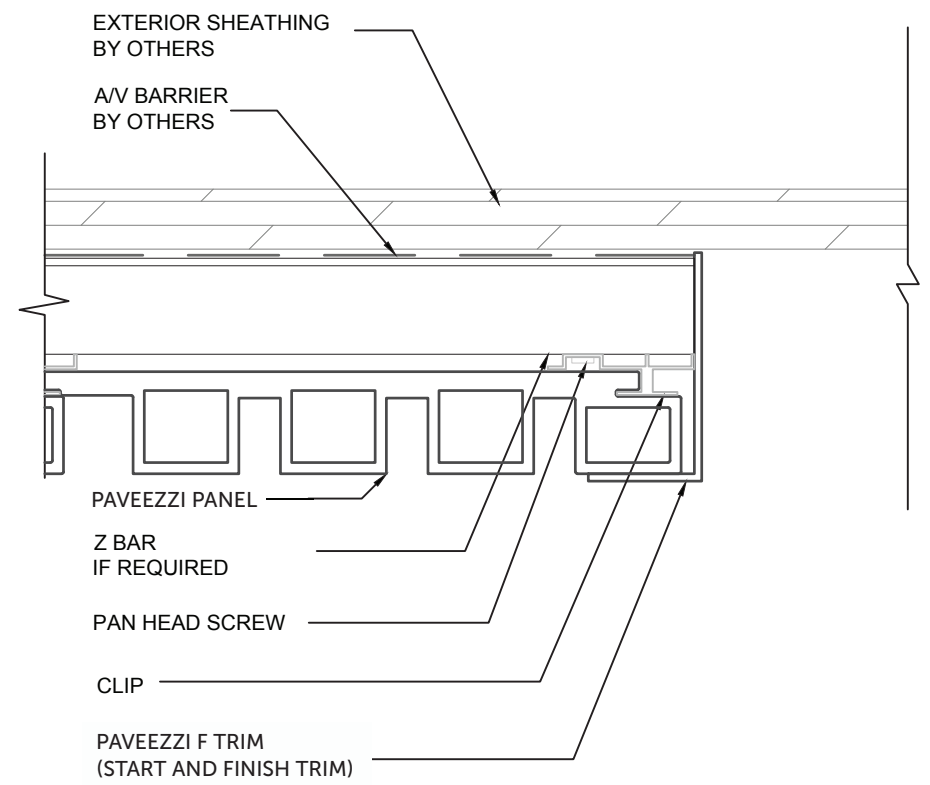
VERTICAL JOINT TYP.

SITE: XXX	DRAWING NO. XX	PROJECT NO. XX	DATE. MM,DD,YY	 <p>142-150 Cooper Street, Epping Victoria 3076 © info@paveezzicomposites.com.au 1800 pavezi www.paveezzicomposites.com.au</p>
TITLE: JOINT VERTICAL	SCALE AT A4. 1:2	DRAWN. AD	CHECKED. XX	

REVISIONS:			
REV:	DESCRIPTION:	BY:	DATE:
A	description	by	xx/xx/xx



VERTICAL JOINT AT WALL TYP.



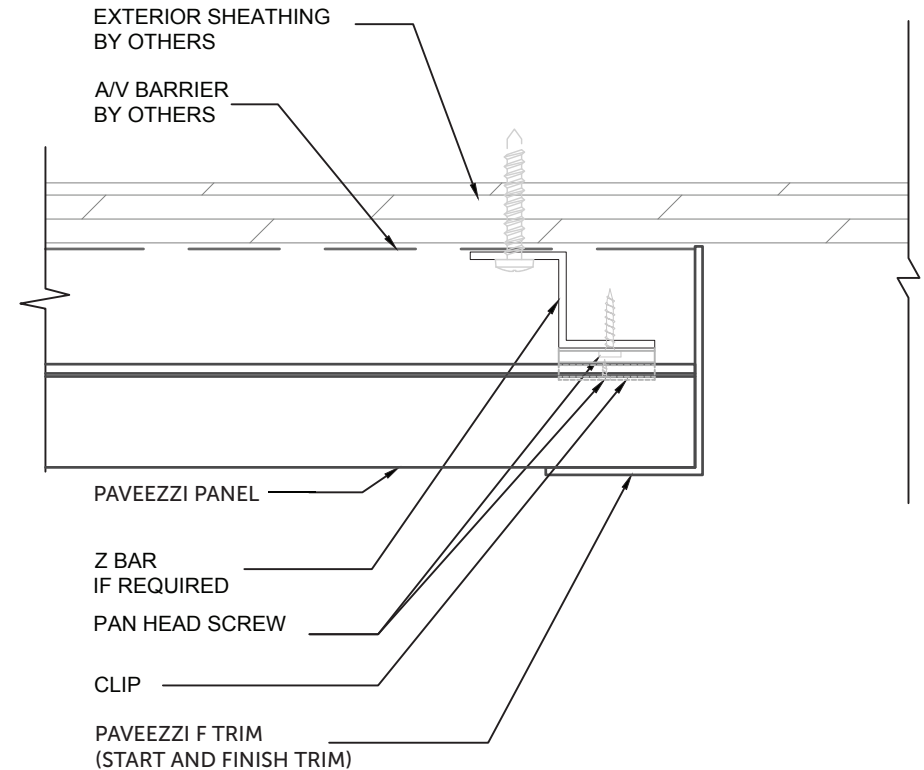
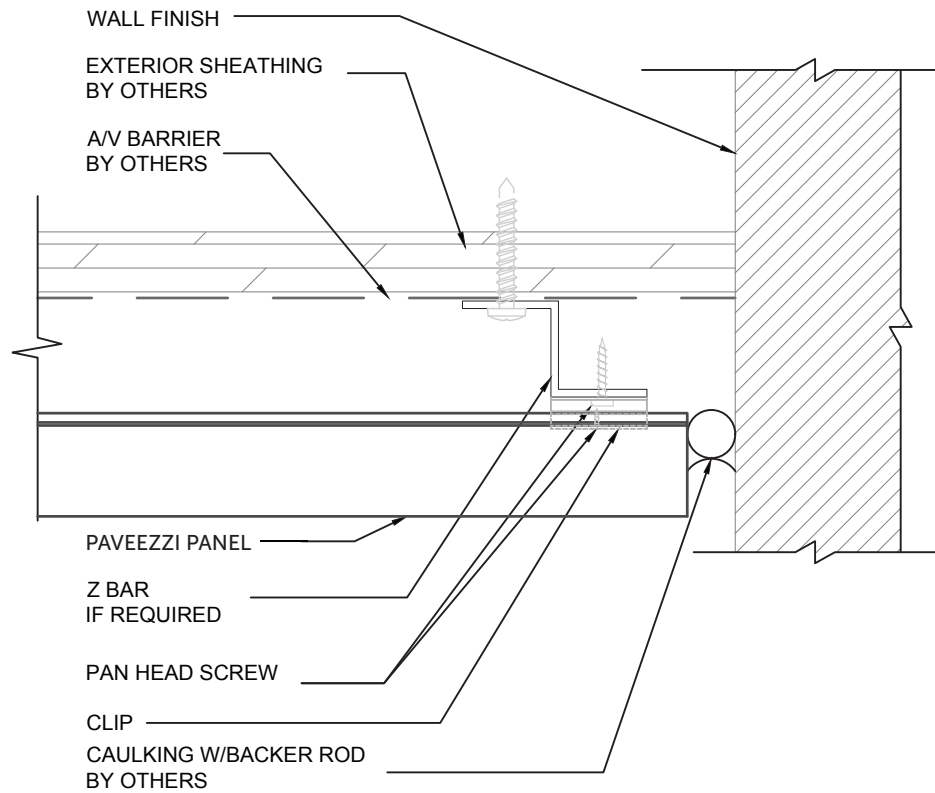
VERTICAL START INST. TYP.

SITE:	XXX	XX	XX	MM,DD,YY
		DRAWING NO.	PROJECT NO.	DATE.
TITLE:	JOINT STARTER	1:2	AD	XX
		SCALE AT A4.	DRAWN.	CHECKED.
				00
				REVISION.

PAVEZZI
COMPOSITES™


142-150 Cooper Street, Epping Victoria 3076
 © info@pavezzicomposites.com.au | 1800 pavezi
 www.pavezzicomposites.com.au

REVISIONS:			
REV:	DESCRIPTION:	BY:	DATE:
A	description	by	xx/xx/xx

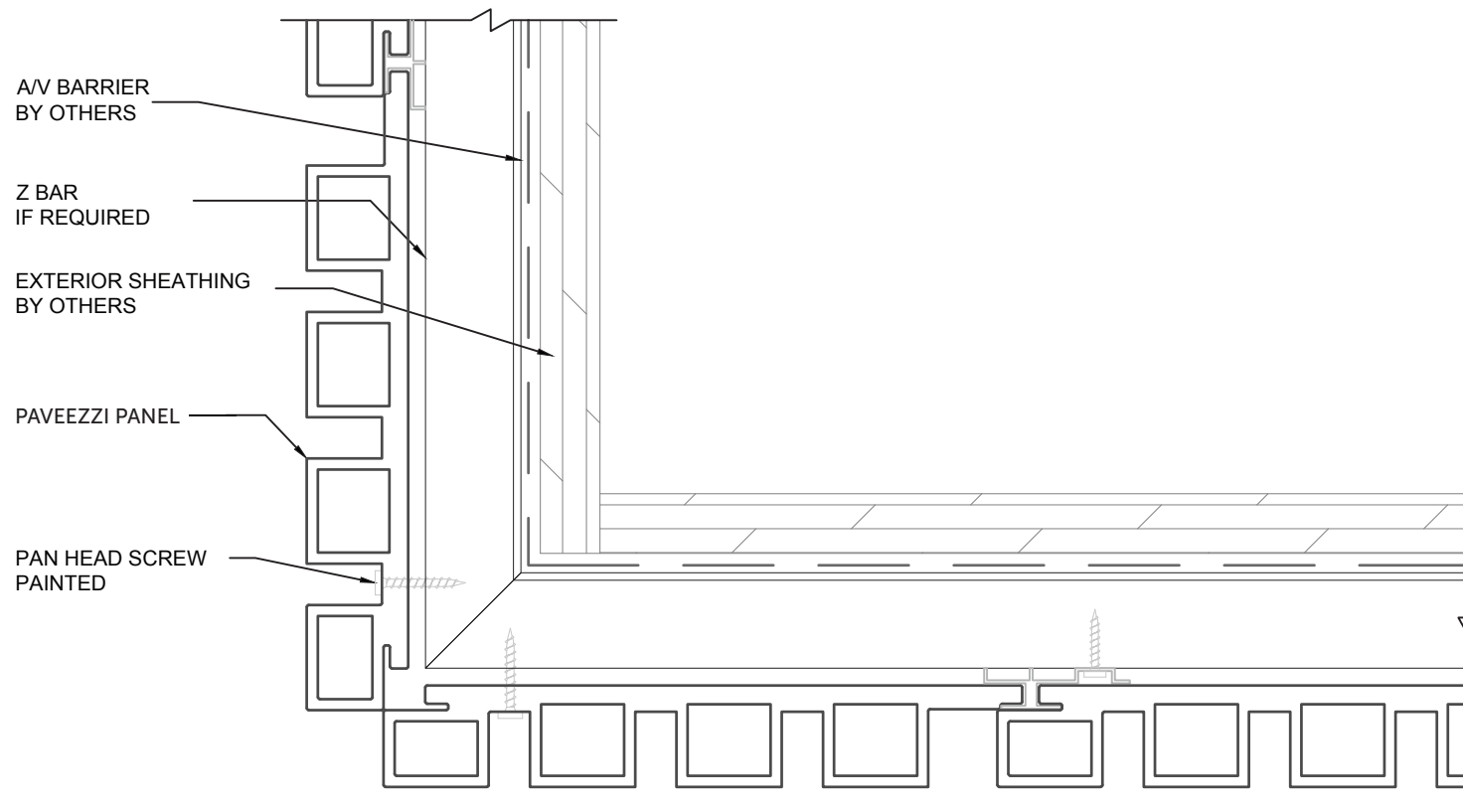


HORIZONTAL JOINT AT WALL TYP.


HORIZONTAL START INST. TYP.

SITE: XXX	DRAWING NO. XX	PROJECT NO. XX	DATE. MM,DD,YY	 <p>142-150 Cooper Street, Epping Victoria 3076 © info@paveezzicomposites.com.au 1800 pavezi www.paveezzicomposites.com.au</p>
TITLE: JOINT AT BOTTOM OF WALL	SCALE AT A4. 1:2	DRAWN. AD	REVISION. XX 00	

REVISIONS:			
REV:	DESCRIPTION:	BY:	DATE:
A	description	by	xx/xx/xx



VERT. INST. CORNER BUTT JOINT

SITE: XXX	XX DRAWING NO.		XX PROJECT NO.	MM,DD,YY DATE.	 <p>142-150 Cooper Street, Epping Victoria 3076 © info@pavezzicomposites.com.au 1800 pavezi www.pavezzicomposites.com.au</p>
TITLE: JOINT @ CORNER WITH L TRIM	1:2 SCALE AT A4.	AD DRAWN.	XX CHECKED.	00 REVISION.	

REVISIONS:			
REV:	DESCRIPTION:	BY:	DATE:
A	description	by	xx/xx/xx

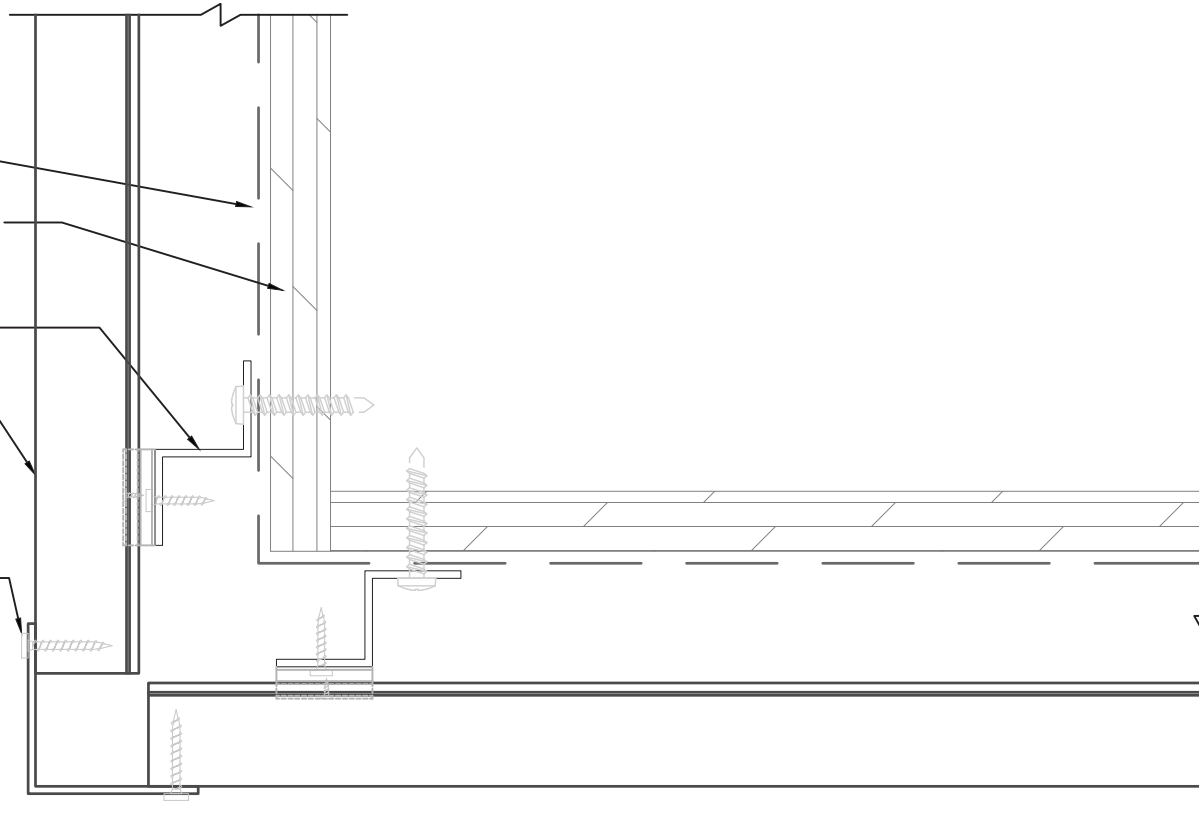
AV BARRIER
BY OTHERS

EXTERIOR SHEATHING
BY OTHERS


Z BAR
IF REQUIRED

PAVEZZI PANEL

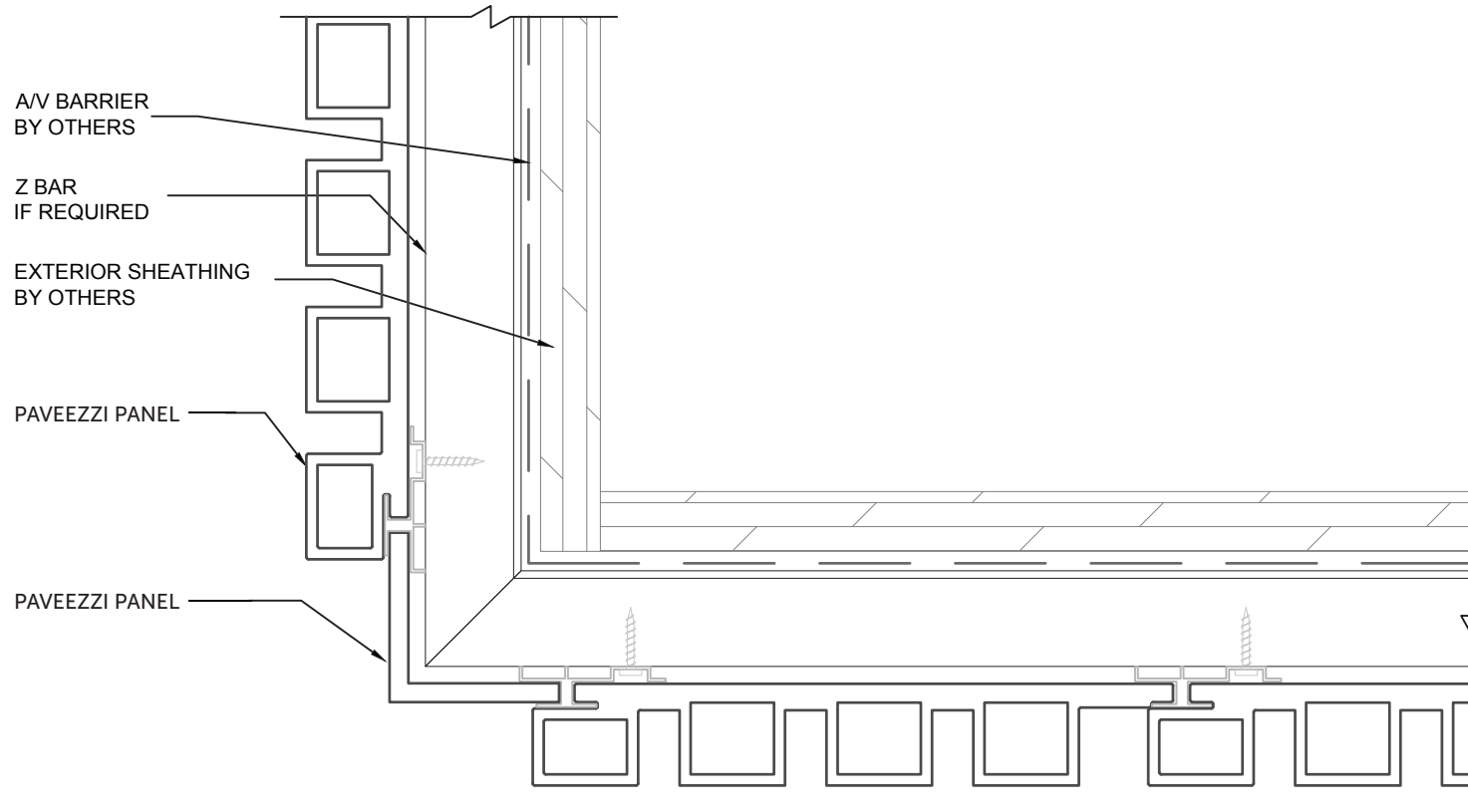
PAN HEAD SCREW
PAINTED




HRIZ. INST. CORNER L TRIM JOINT

SITE: XXX	DRAWING NO. XX	PROJECT NO. XX	DATE. MM,DD,YY	 <p>142-150 Cooper Street, Epping Victoria 3076 © info@pavezzicomposites.com.au 1800 pavezi www.pavezzicomposites.com.au</p>
TITLE: JOINT @ CORNER WITH L TRIM	SCALE AT A4. 1:2	DRAWN. AD	REVISION. XX 00	

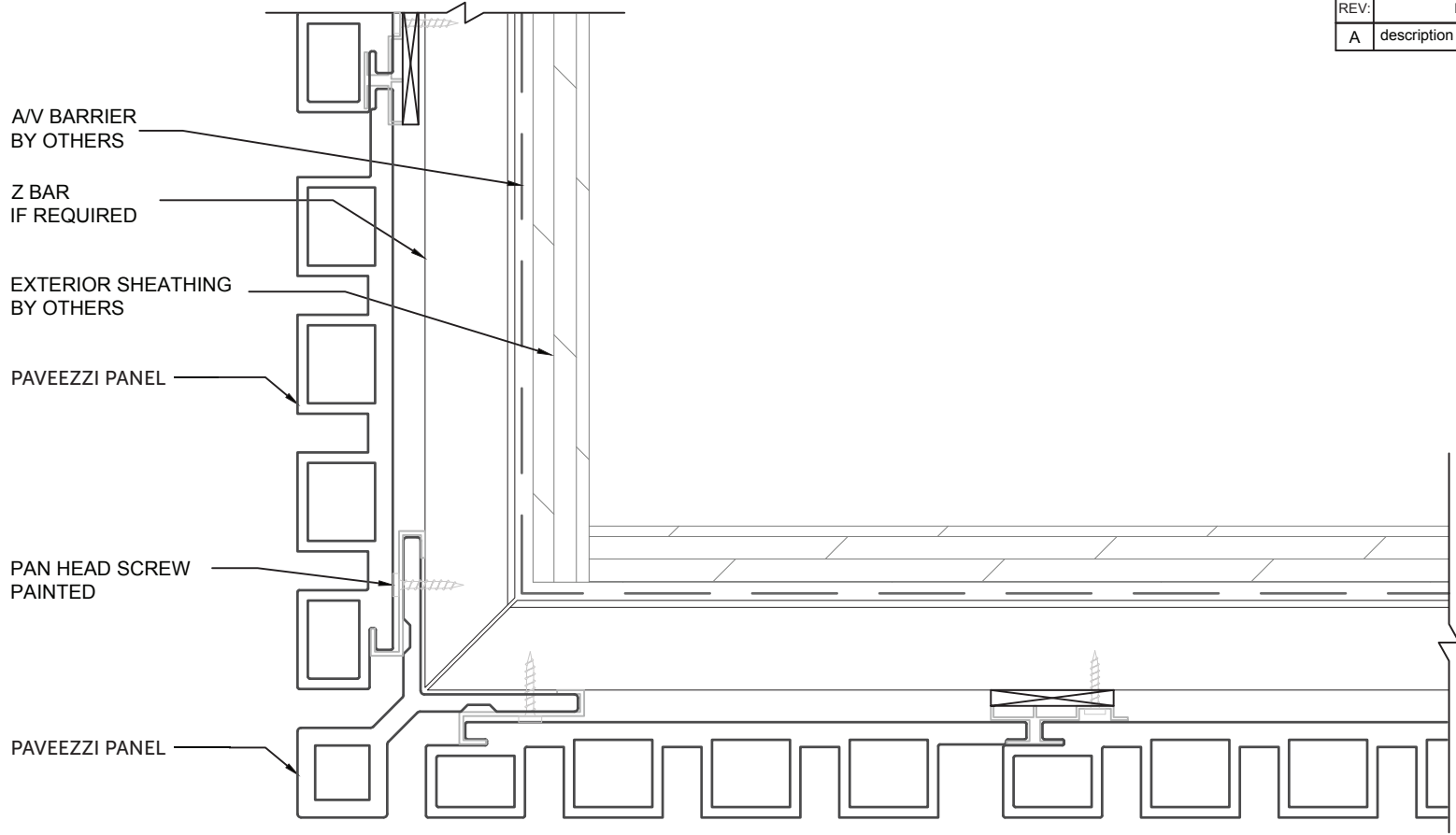
REVISIONS:			
REV:	DESCRIPTION:	BY:	DATE:
A	description	by	xx/xx/xx




VERT. INST. CORNER L TRIM JOINT

SITE: XXX	DRAWING NO. XX	PROJECT NO. XX	DATE. MM,DD,YY	 <p>142-150 Cooper Street, Epping Victoria 3076 © info@pavezzicomposites.com.au 1800 pavezi www.pavezzicomposites.com.au</p>
TITLE: JOINT @ CORNER WITH L TRIM	SCALE AT A4. 1:2	DRAWN. AD	CHECKED. XX	

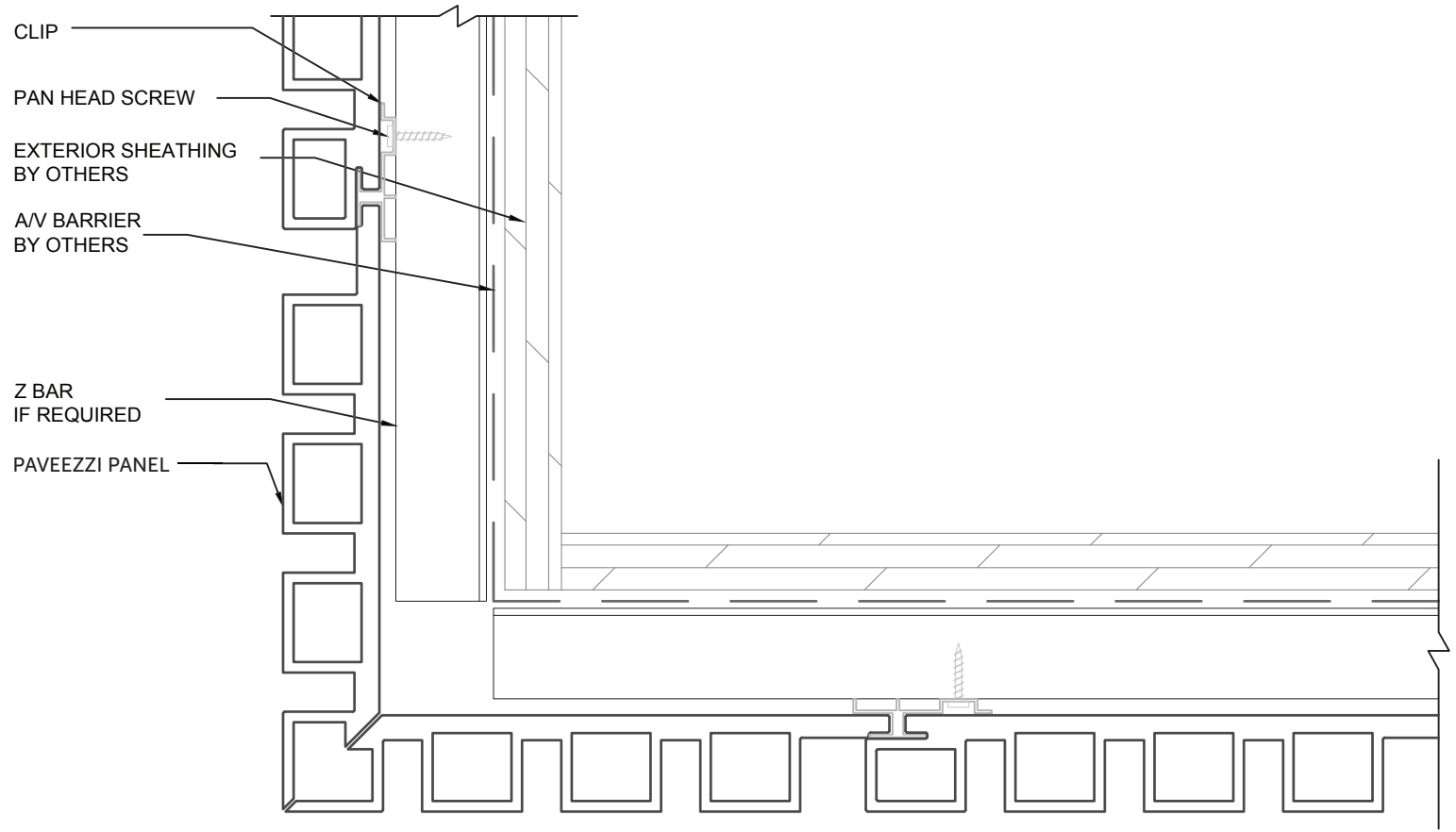
REVISIONS:			
REV:	DESCRIPTION:	BY:	DATE:
A	description	by	xx/xx/xx




VERT. INST. CORNER JOINT

SITE: XXX	DRAWING NO. XX	PROJECT NO. XX	DATE. MM,DD,YY	 <p>142-150 Cooper Street, Epping Victoria 3076 © info@pavezzicomposites.com.au 1800 pavezi www.pavezzicomposites.com.au</p>
TITLE: JOINT @ CORNER JOINT	SCALE AT A4. 1:2	DRAWN. AD	CHECKED. XX	

REVISIONS:			
REV:	DESCRIPTION:	BY:	DATE:
A	description	by	xx/xx/xx



VERT. INST. CORNER MITERED

SITE: <div style="font-size: 24px; font-weight: bold; text-align: center;">XXX</div>	XX <small>DRAWING NO.</small>	XX <small>PROJECT NO.</small>	MM,DD,YY <small>DATE.</small>	 <p style="font-size: 10px;"> 142-150 Cooper Street, Epping Victoria 3076 © info@pavezzicomposites.com.au 1800 pavezi www.pavezzicomposites.com.au </p>
TITLE: <div style="font-size: 24px; font-weight: bold; text-align: center;">JOINT @ CORNER MITERED</div>	1:2 <small>SCALE AT A4.</small>	AD <small>DRAWN.</small>	XX <small>CHECKED.</small>	

REVISIONS:			
REV:	DESCRIPTION:	BY:	DATE:
A	description	by	xx/xx/xx

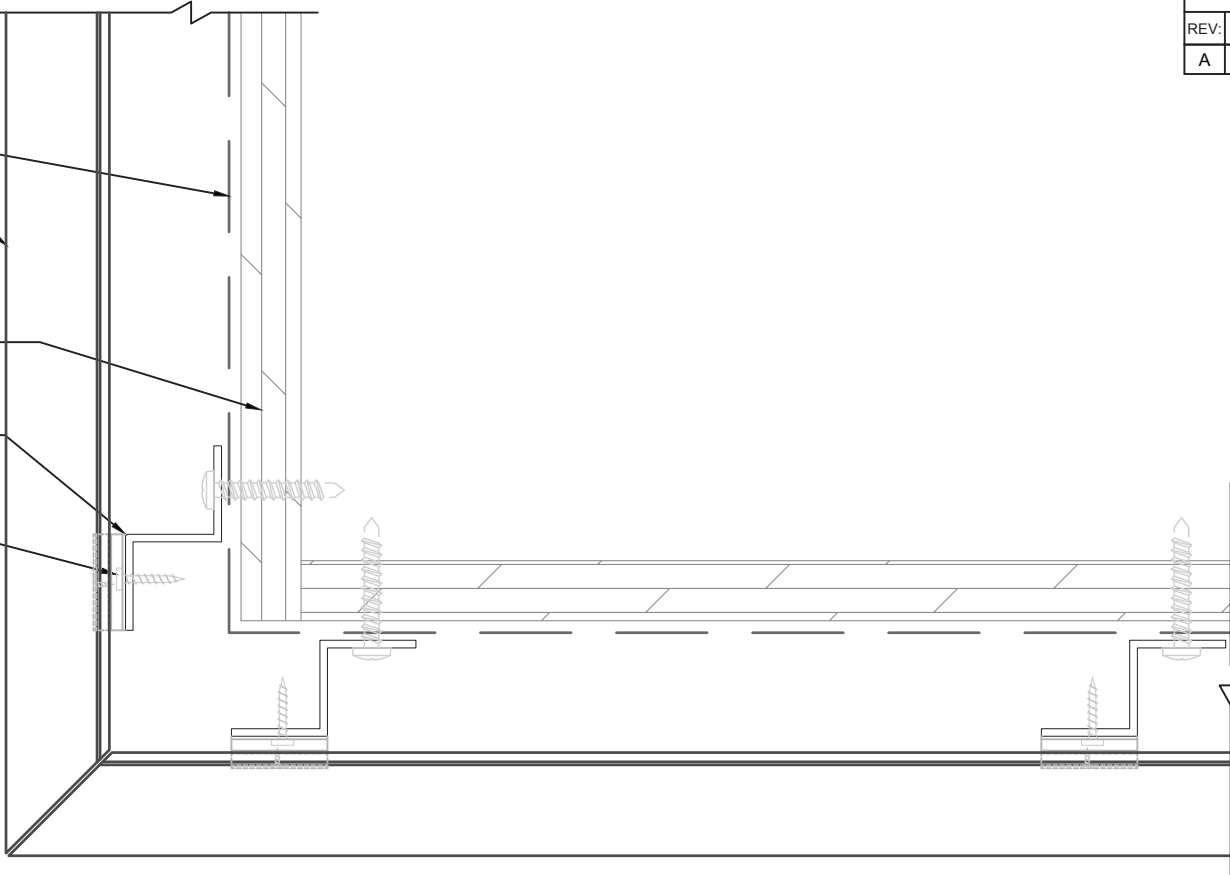
A/V BARRIER
BY OTHERS

PAVEZZI PANEL


EXTERIOR SHEATHING
BY OTHERS

Z BAR
IF REQUIRED

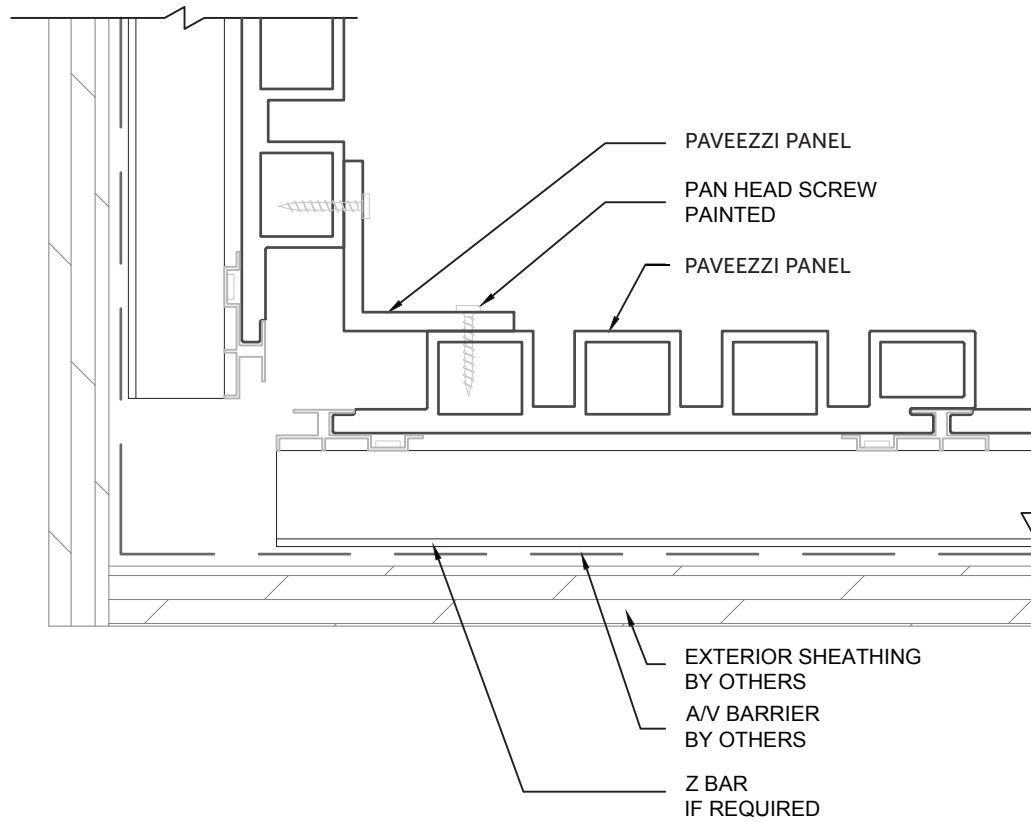
PAN HEAD SCREW




HORIZ. INST. CORNER MITERED

SITE: XXX	DRAWING NO. XX	PROJECT NO. XX	DATE. MM,DD,YY	 <p>142-150 Cooper Street, Epping Victoria 3076 © info@pavezzicomposites.com.au 1800 pavezi www.pavezzicomposites.com.au</p>
TITLE: JOINT @ CORNER MITERED	SCALE AT A4. 1:2	DRAWN. AD	REVISION. XX 00	

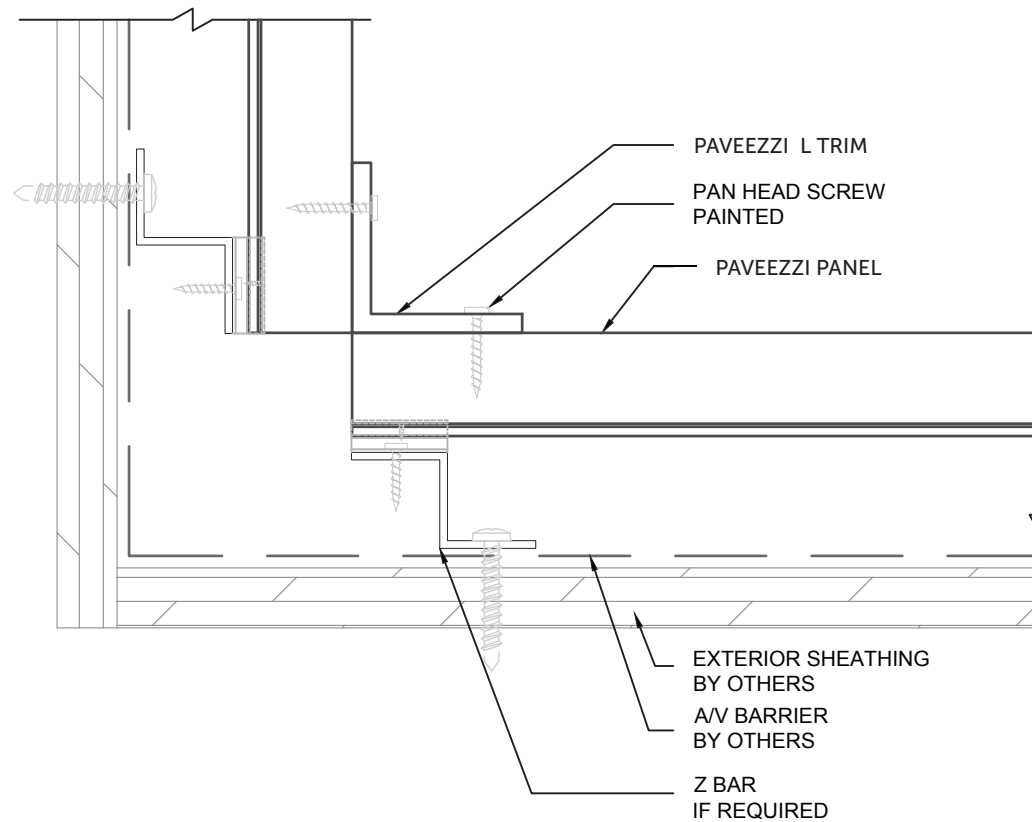
REVISIONS:			
REV:	DESCRIPTION:	BY:	DATE:
A	description	by	xx/xx/xx




INSIDE VERT. INST. CORNER L TRIM

SITE: XXX	XX DRAWING NO.		XX PROJECT NO.	MM,DD,YY DATE.	 <p>142-150 Cooper Street, Epping Victoria 3076 © info@pavezzicomposites.com.au 1800 pavezi www.pavezzicomposites.com.au</p>
	TITLE: INSIDE CORNER WITH L TRIM	1:2 SCALE AT A4.	AD DRAWN.	XX CHECKED.	

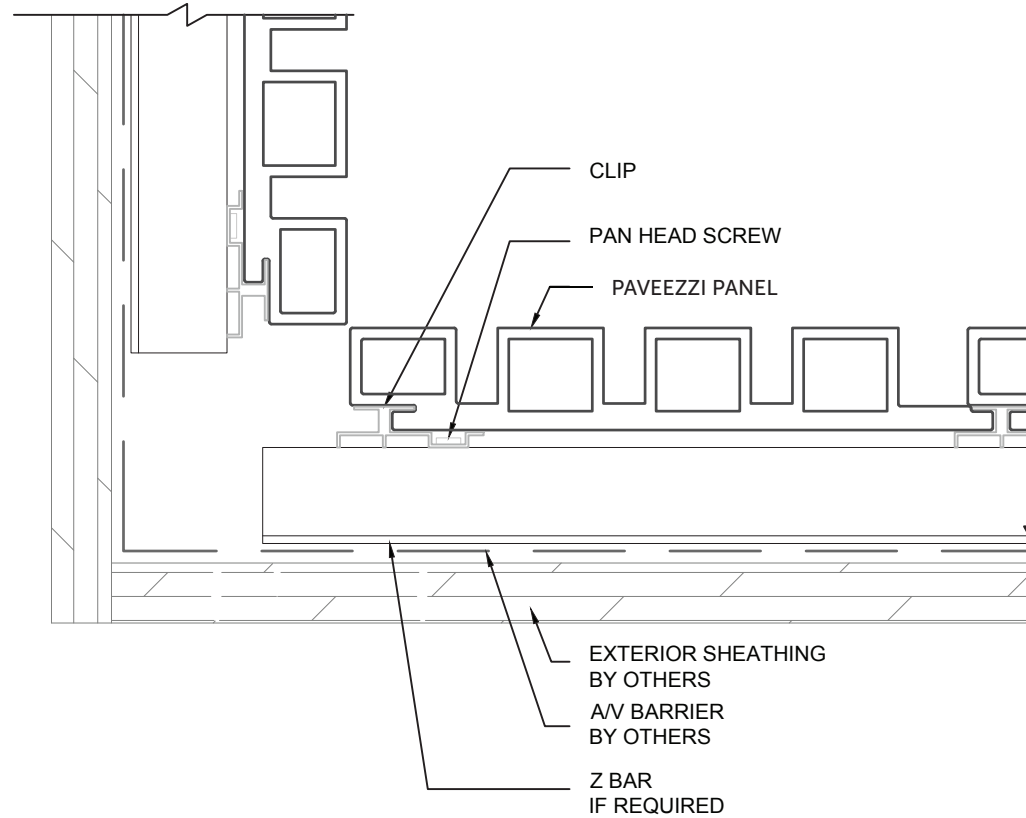
REVISIONS:			
REV:	DESCRIPTION:	BY:	DATE:
A	description	by	xx/xx/xx



INSIDE HORIZ. INST. CORNER L TRIM

SITE: XXX	DRAWING NO. XX	PROJECT NO. XX	DATE. MM,DD,YY	 <p>142-150 Cooper Street, Epping Victoria 3076 © info@pavezzicomposites.com.au 1800 pavezi www.pavezzicomposites.com.au</p>
TITLE: INSIDE CORNER WITH L TRIM	SCALE AT A4. 1:2	DRAWN. AD	CHECKED. XX	

REVISIONS:			
REV:	DESCRIPTION:	BY:	DATE:
A	description	by	xx/xx/xx



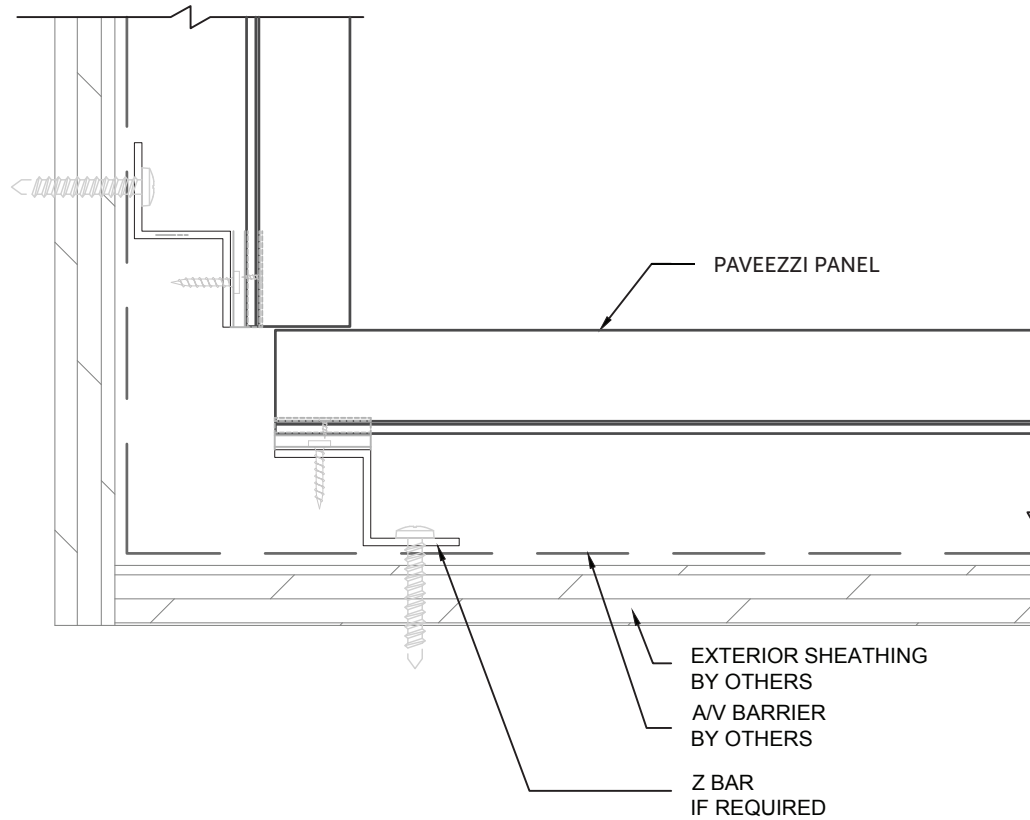
INSIDE VERT. INST. CORNER BUTT JOINT

SITE: XXX	XX DRAWING NO.	XX PROJECT NO.	MM,DD,YY DATE.
TITLE: INSIDE CORNER BUTT JOINT	1:2 SCALE AT A4.	AD DRAWN.	XX 00 CHECKED. REVISION.



142-150 Cooper Street, Epping Victoria 3076
 © info@pavezzicomposites.com.au | 1800 pavezi
 www.pavezzicomposites.com.au

REVISIONS:			
REV:	DESCRIPTION:	BY:	DATE:
A	description	by	xx/xx/xx



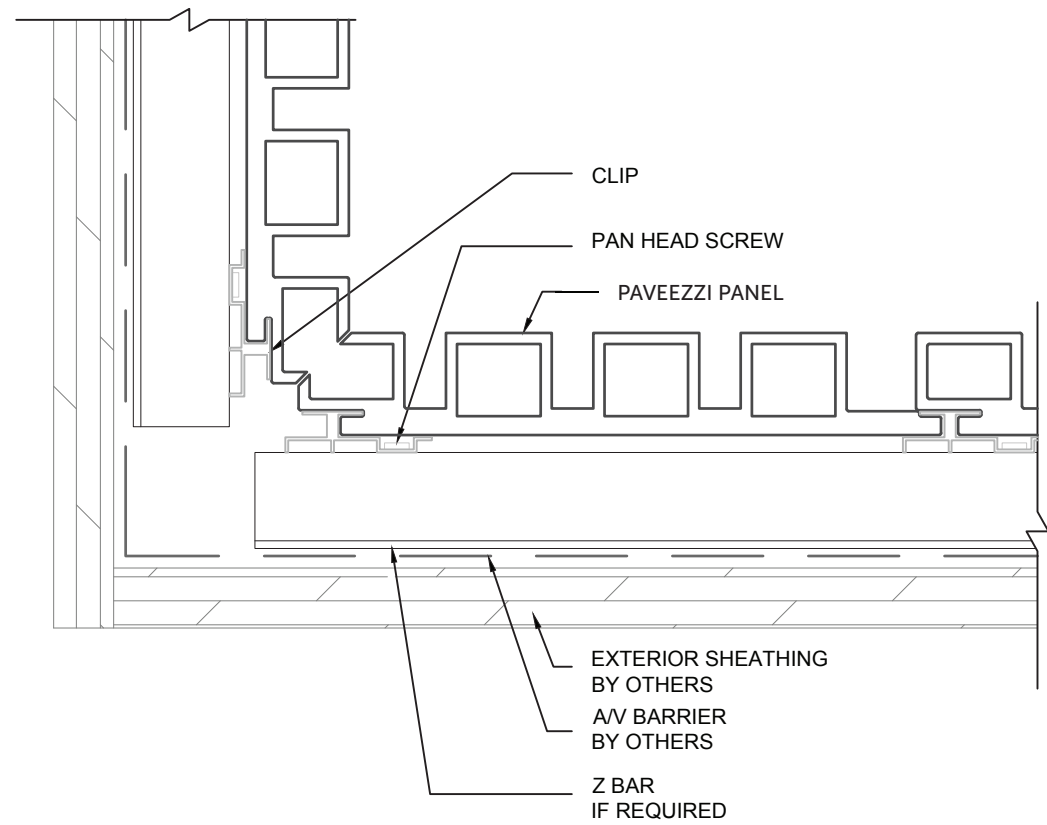
INSIDE HORIZ. INST. CORNER BUTT JOINT

SITE: XXX	XX DRAWING NO.	XX PROJECT NO.	MM,DD,YY DATE.
TITLE: INSIDE CORNER BUTT JOINT	1:2 SCALE AT A4.	AD DRAWN.	XX 00 CHECKED. REVISION.

PAVEZZI
COMPOSITES™

142-150 Cooper Street, Epping Victoria 3076
 © info@pavezzicomposites.com.au | 1800 pavezi
 www.pavezzicomposites.com.au

REVISIONS:			
REV:	DESCRIPTION:	BY:	DATE:
A	description	by	xx/xx/xx



INSIDE VERT. INST. CORNER MITERED

SITE: XXX	XX DRAWING NO.		XX PROJECT NO.	MM,DD,YY DATE.
	1:2 SCALE AT A4.	AD DRAWN.	XX CHECKED.	00 REVISION.
TITLE: INSIDE CORNER MITERED				

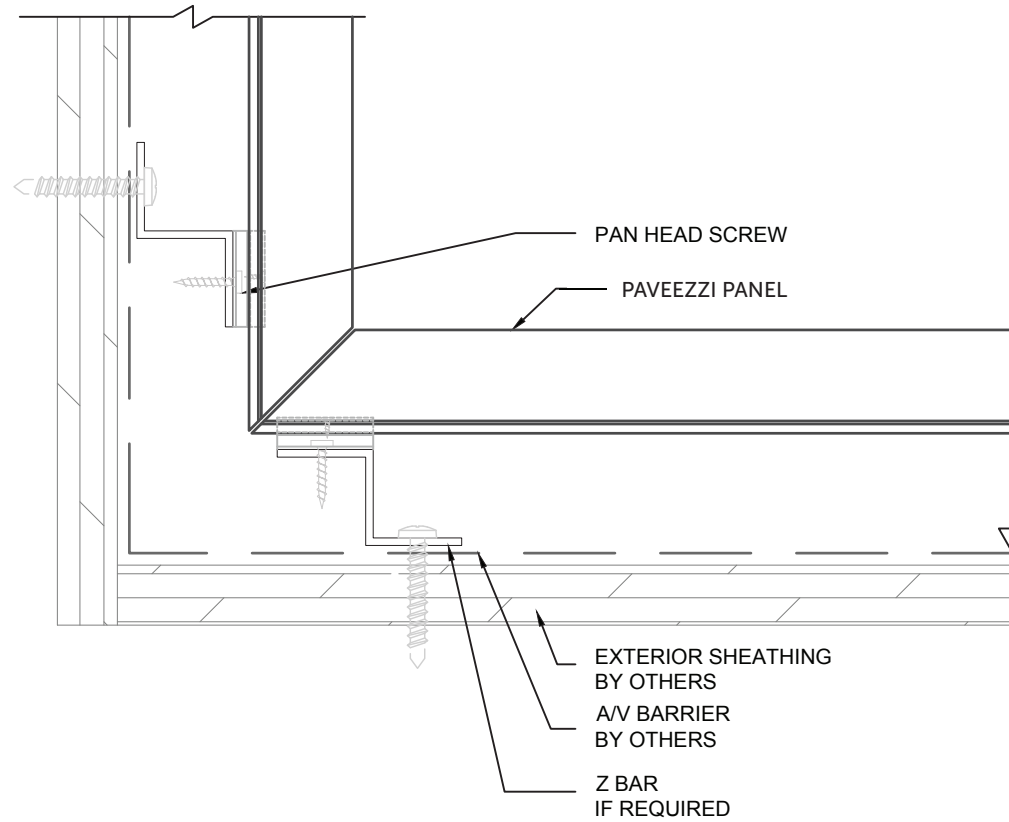


 142-150 Cooper Street, Epping Victoria 3076


 © info@pavezzicomposites.com.au | 1800 pavezi

 www.pavezzicomposites.com.au

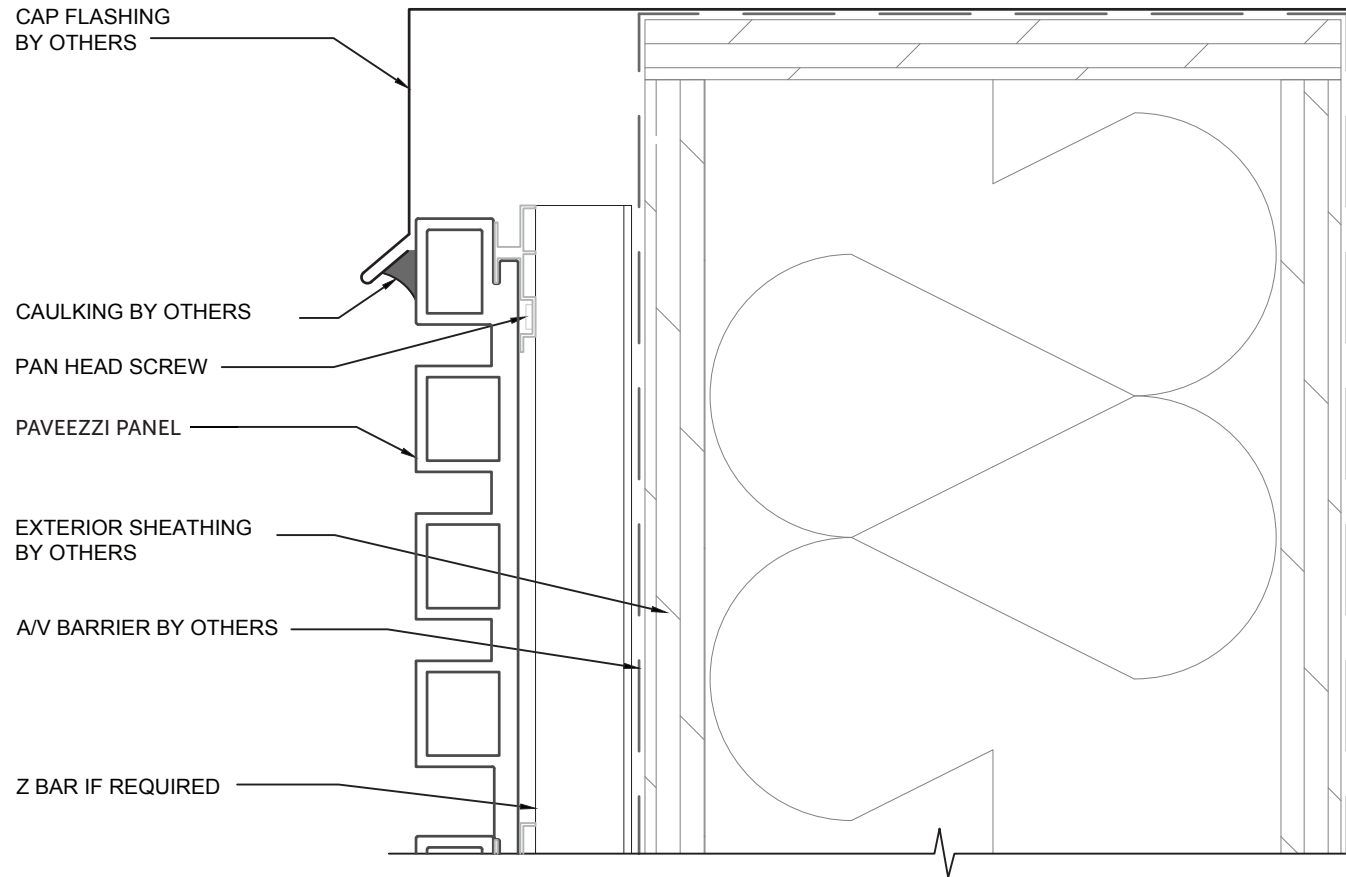
REVISIONS:			
REV:	DESCRIPTION:	BY:	DATE:
A	description	by	xx/xx/xx




INSIDE HORIZ. INST. CORNER MITERED

SITE: XXX	XX DRAWING NO.	XX PROJECT NO.	MM,DD,YY DATE.	 <p>142-150 Cooper Street, Epping Victoria 3076 © info@pavezzicomposites.com.au 1800 pavezi www.pavezzicomposites.com.au</p>
TITLE: INSIDE CORNER MITERED	1:2 SCALE AT A4.	AD DRAWN.	XX CHECKED.	

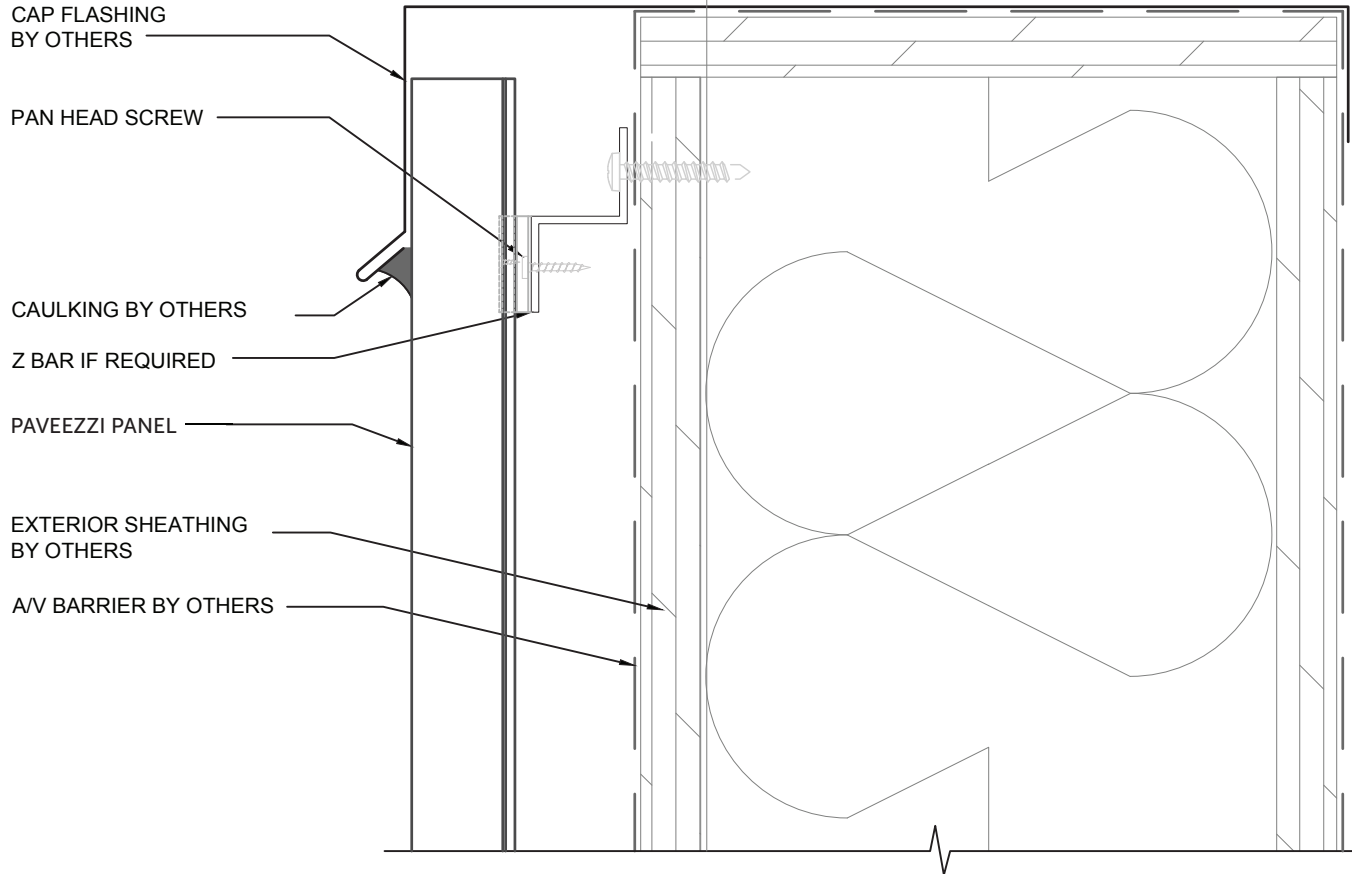
REVISIONS:			
REV:	DESCRIPTION:	BY:	DATE:
A	description	by	xx/xx/xx




HORIZ. END AT PARAPET W/CAP FLASHING

SITE: XXX	DRAWING NO. XX	PROJECT NO. XX	DATE. MM,DD,YY	 <p>142-150 Cooper Street, Epping Victoria 3076 © info@pavezzicomposites.com.au 1800 pavezi www.pavezzicomposites.com.au</p>
TITLE: END @ PARAPET WITH CAP FLASHING	SCALE AT A4. 1:2	DRAWN. AD	REVISION. XX 00	

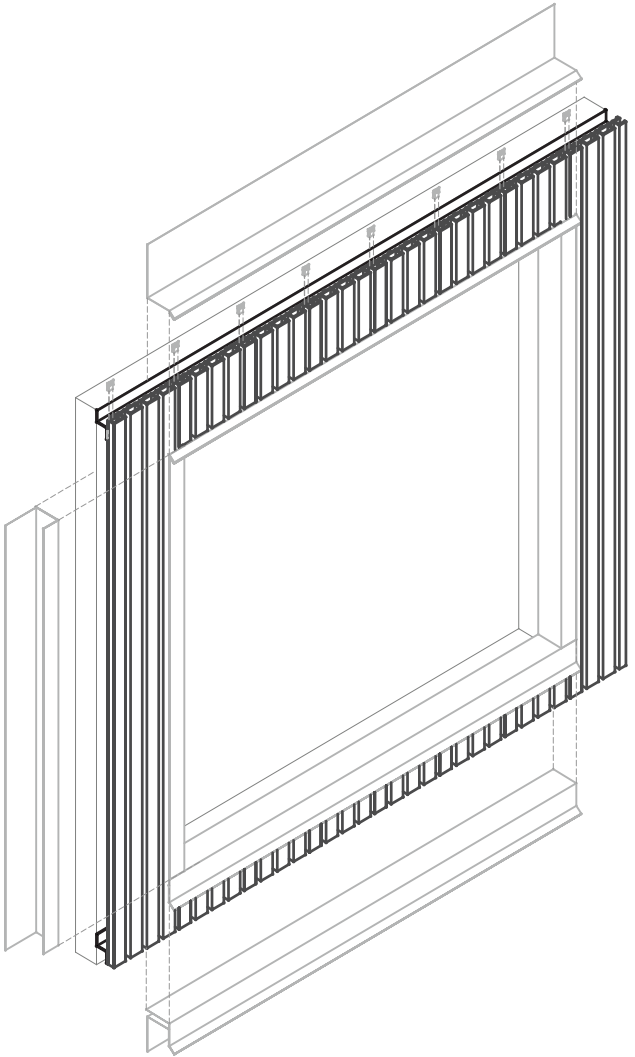
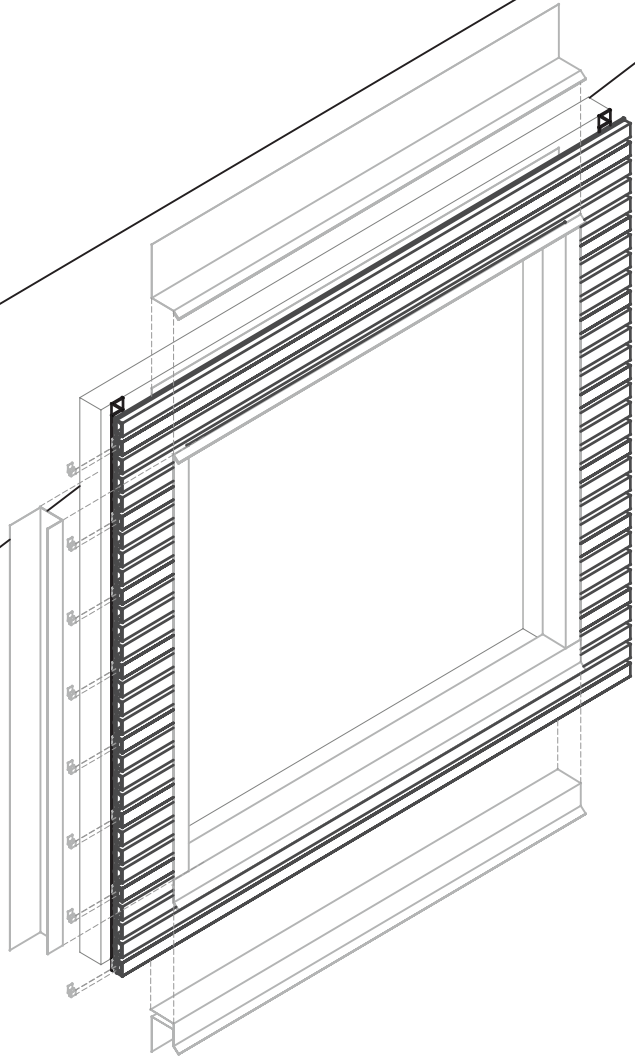
REVISIONS:			
REV:	DESCRIPTION:	BY:	DATE:
A	description	by	xx/xx/xx



VERT. END AT PARAPET W/CAP FLASHING

SITE: XXX	XX DRAWING NO.	XX PROJECT NO.	MM,DD,YY DATE.	 <p>142-150 Cooper Street, Epping Victoria 3076 © info@pavezzicomposites.com.au 1800 pavezi www.pavezzicomposites.com.au</p>
TITLE: END @ PARAPET WITH CAP FLASHING	1:2 SCALE AT A4.	AD DRAWN.	XX CHECKED.	

REVISIONS:			
REV:	DESCRIPTION:	BY:	DATE:
A	description	by	xx/xx/xx

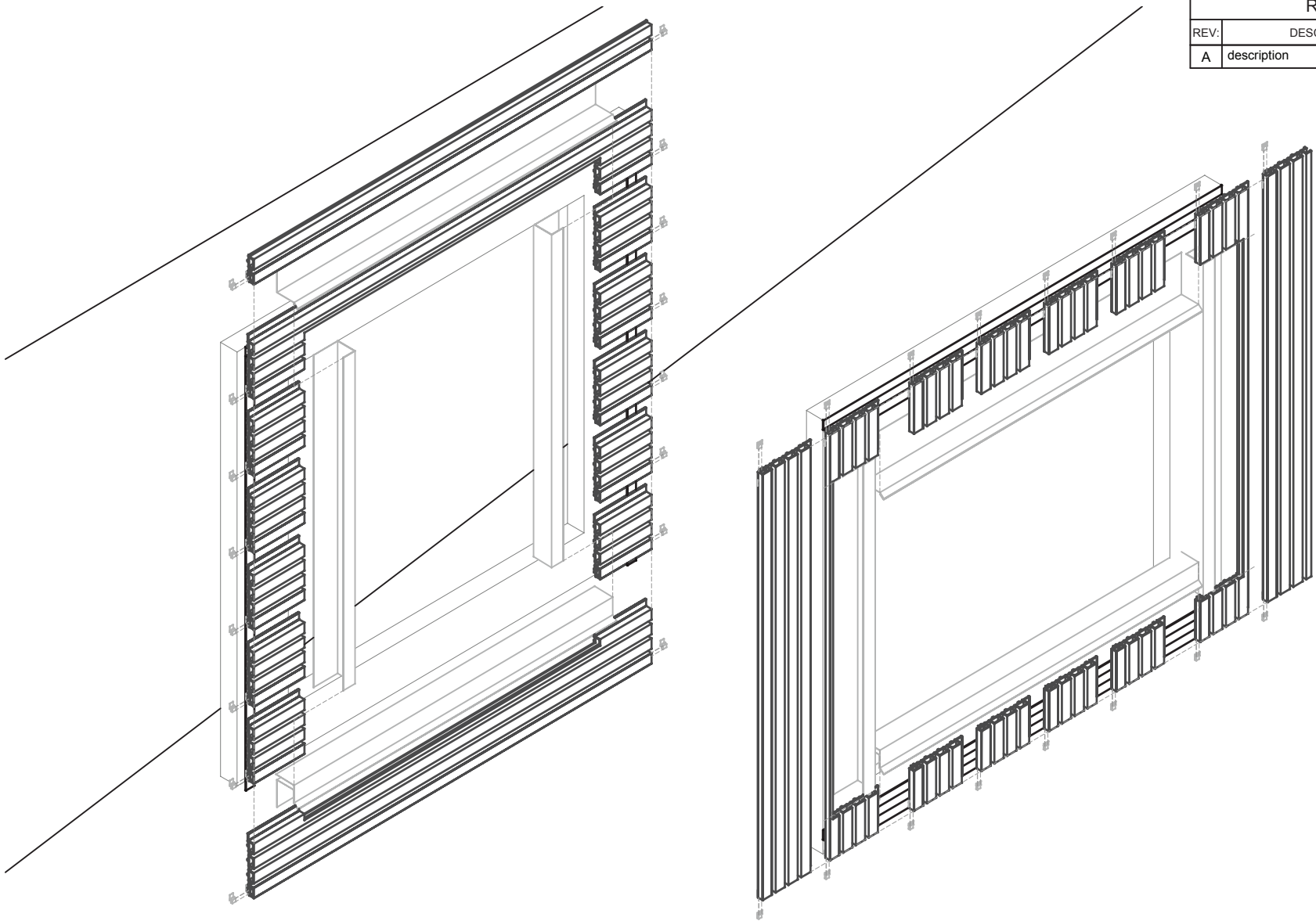


SITE:	XXX	DRAWING NO.	XX	PROJECT NO.	XX	DATE.	MM,DD,YY
TITLE:	3D	SCALE AT A4.	N/S	DRAWN.	AD	CHECKED.	XX
						REVISION.	00

PAVEZZI
COMPOSITES™

📍 142-150 Cooper Street, Epping Victoria 3076
 © info@pavezzicomposites.com.au | 📞 1800 pavezi
 🌐 www.pavezzicomposites.com.au

REVISIONS:			
REV:	DESCRIPTION:	BY:	DATE:
A	description	by	xx/xx/xx



SITE:	XXX	XX	XX	MM,DD,YY
		DRAWING NO.	PROJECT NO.	DATE.
TITLE:	3D	N/S	AD	XX
		SCALE AT A4.	DRAWN.	CHECKED.
				00
				REVISION.

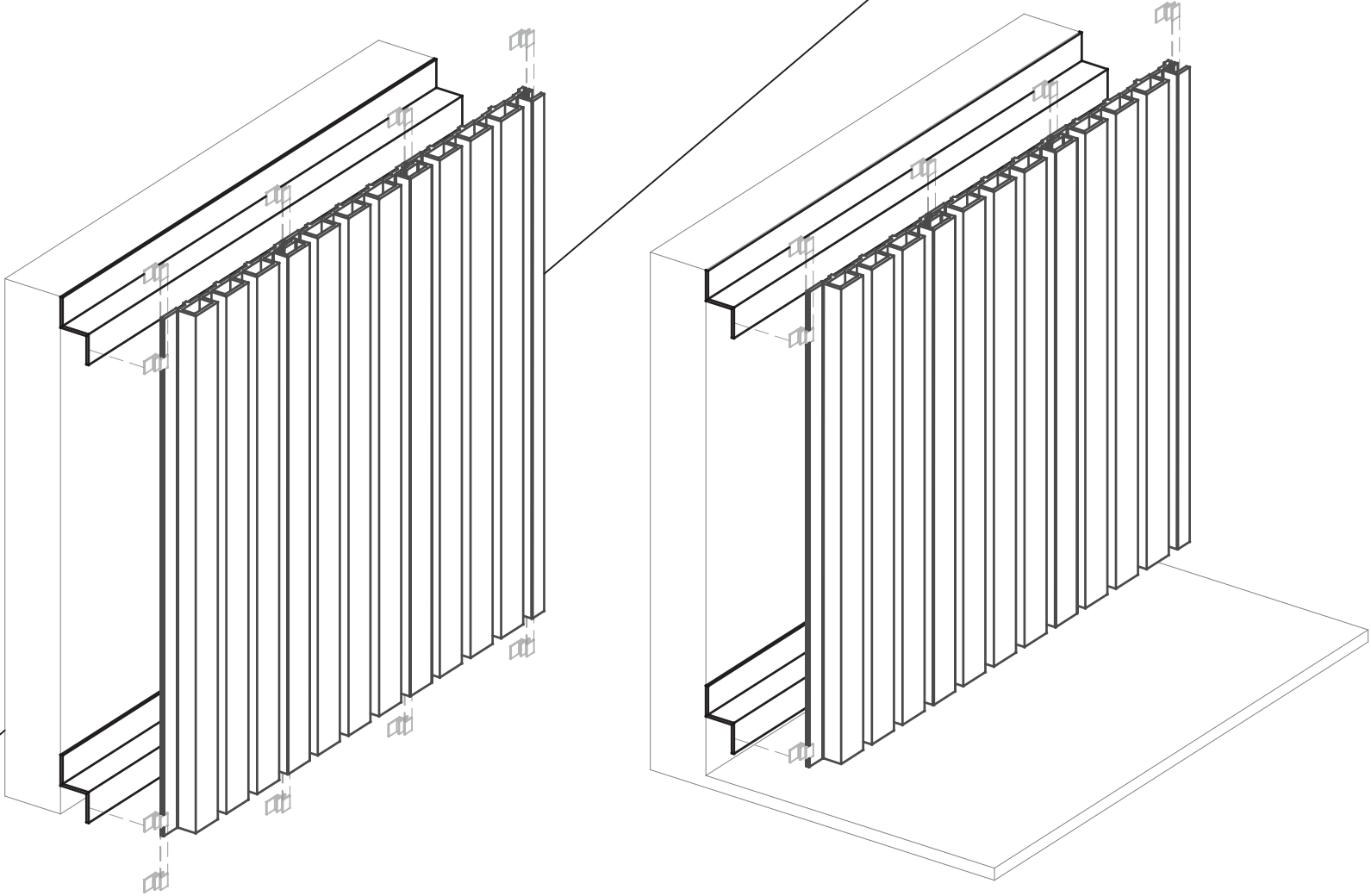



 142-150 Cooper Street, Epping Victoria 3076

 © info@pavezzicomposites.com.au | 1800 pavezi

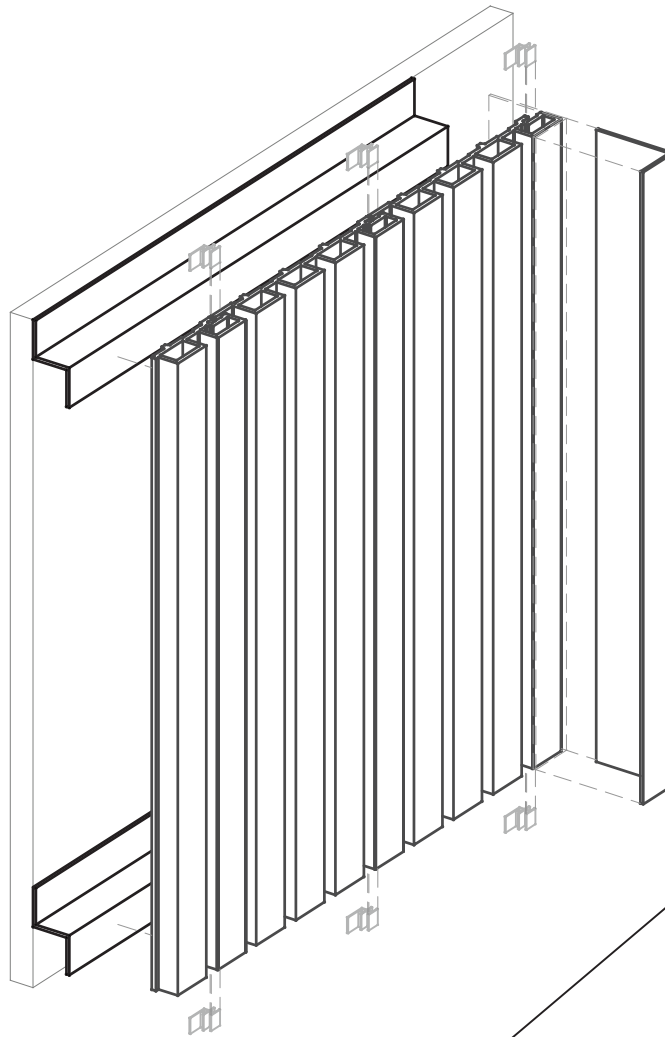
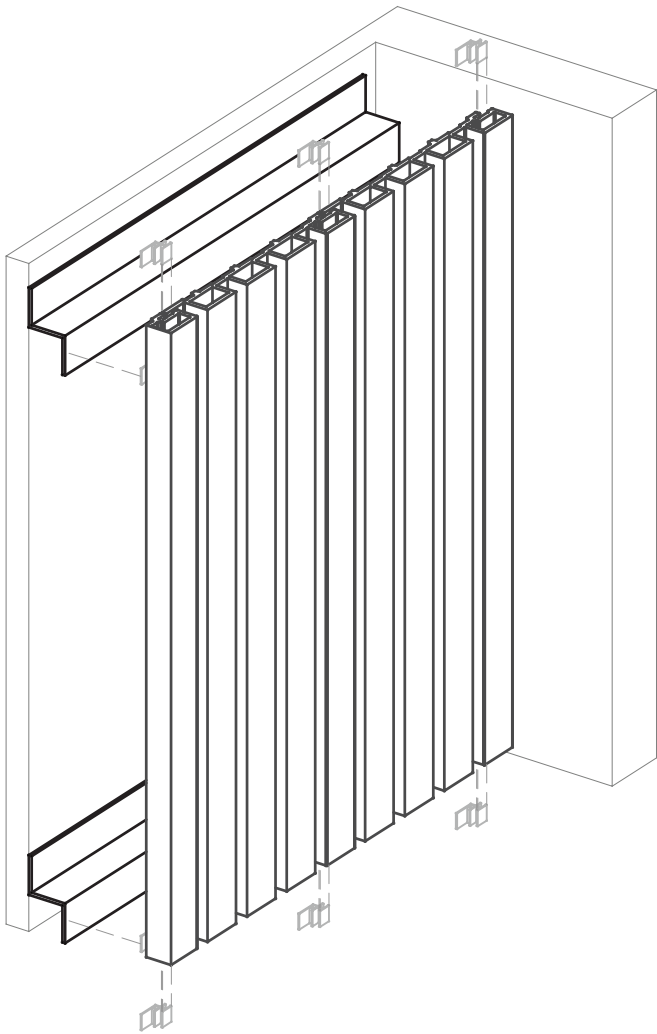
 www.pavezzicomposites.com.au

REVISIONS:			
REV:	DESCRIPTION:	BY:	DATE:
A	description	by	xx/xx/xx



SITE: XXX	XX		XX	MM,DD,YY	 <p>142-150 Cooper Street, Epping Victoria 3076 © info@pavezzicomposites.com.au 1800 pavezi www.pavezzicomposites.com.au</p>
	DRAWING NO.		PROJECT NO.	DATE.	
TITLE: 3D	N/S	AD	XX	00	
	SCALE AT A4.	DRAWN.	CHECKED.	REVISION.	

REVISIONS:			
REV:	DESCRIPTION:	BY:	DATE:
A	description	by	xx/xx/xx

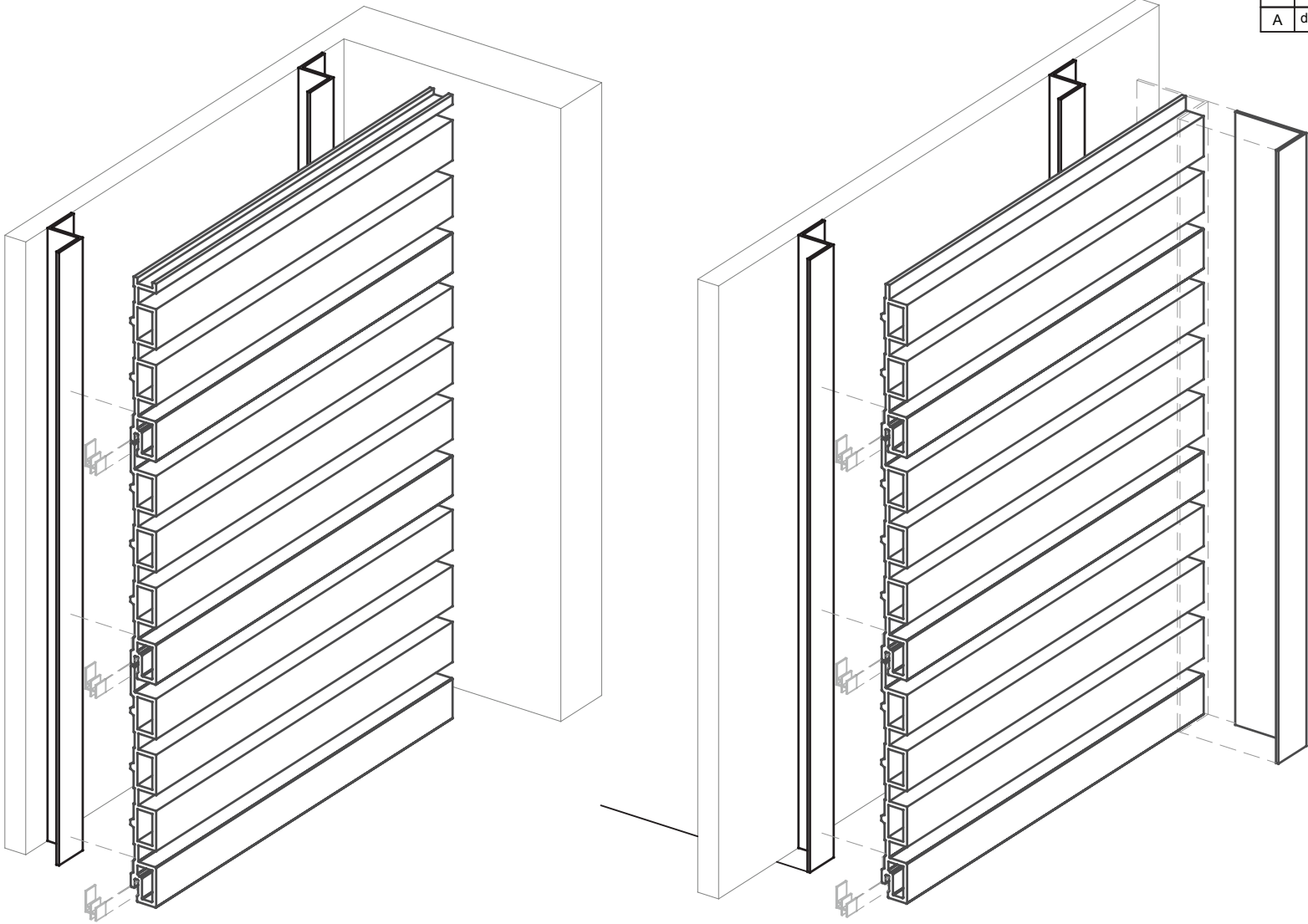



SITE: XXX	XX DRAWING NO.		XX PROJECT NO.	MM,DD,YY DATE.
TITLE: 3D	N/S SCALE AT A4.	AD DRAWN.	XX CHECKED.	00 REVISION.

PAVEZZI
COMPOSITES™

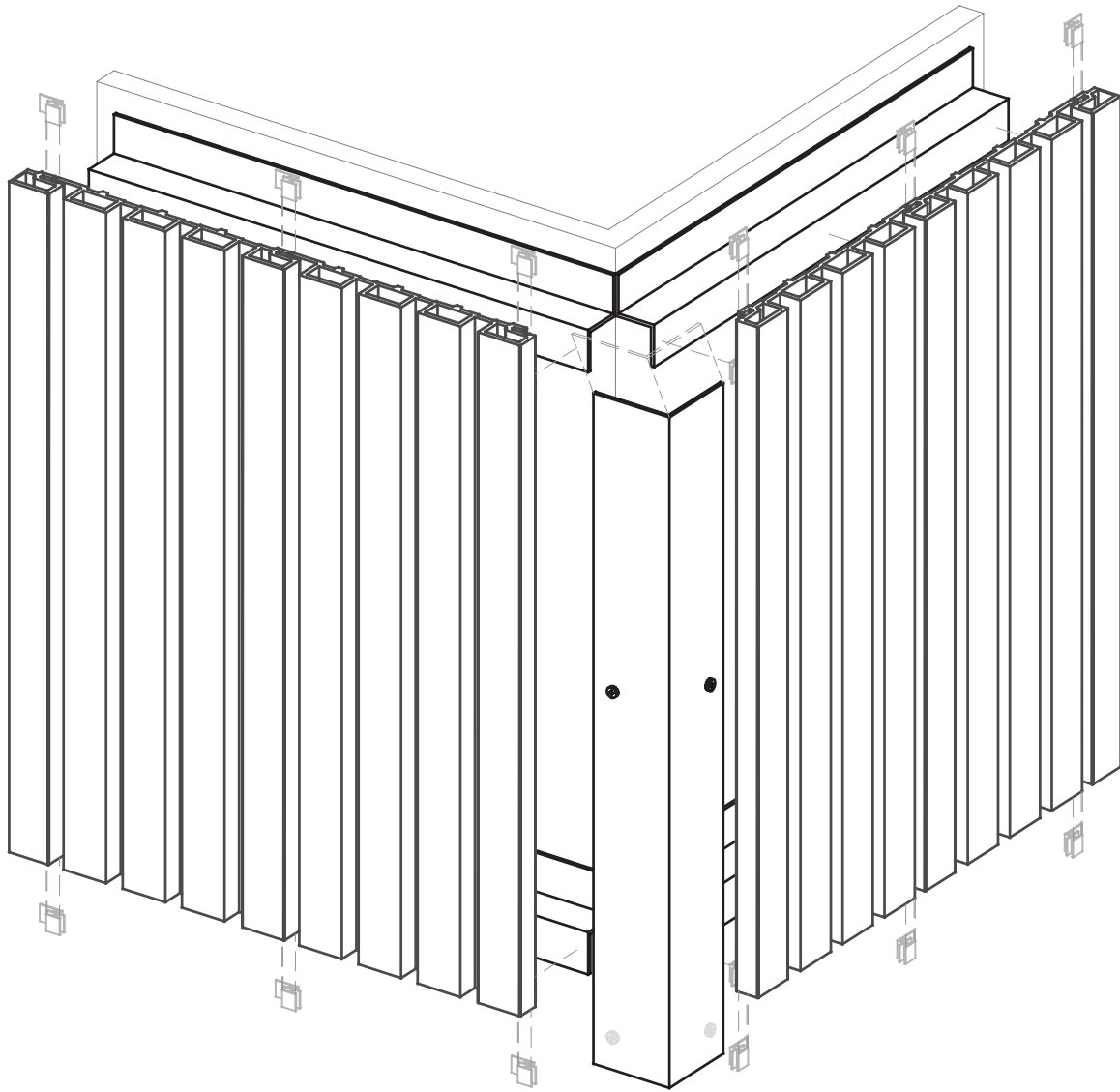
📍 142-150 Cooper Street, Epping Victoria 3076
 © info@pavezzicomposites.com.au | 📞 1800 pavezi
 🌐 www.pavezzicomposites.com.au

REVISIONS:			
REV:	DESCRIPTION:	BY:	DATE:
A	description	by	xx/xx/xx



SITE: XXX	XX		XX	MM,DD,YY	 <p>142-150 Cooper Street, Epping Victoria 3076 © info@pavezzicomposites.com.au 1800 pavezi www.pavezzicomposites.com.au</p>
	DRAWING NO.		PROJECT NO.	DATE.	
TITLE: 3D	N/S	AD	XX	00	
	SCALE AT A4.	DRAWN.	CHECKED.	REVISION.	

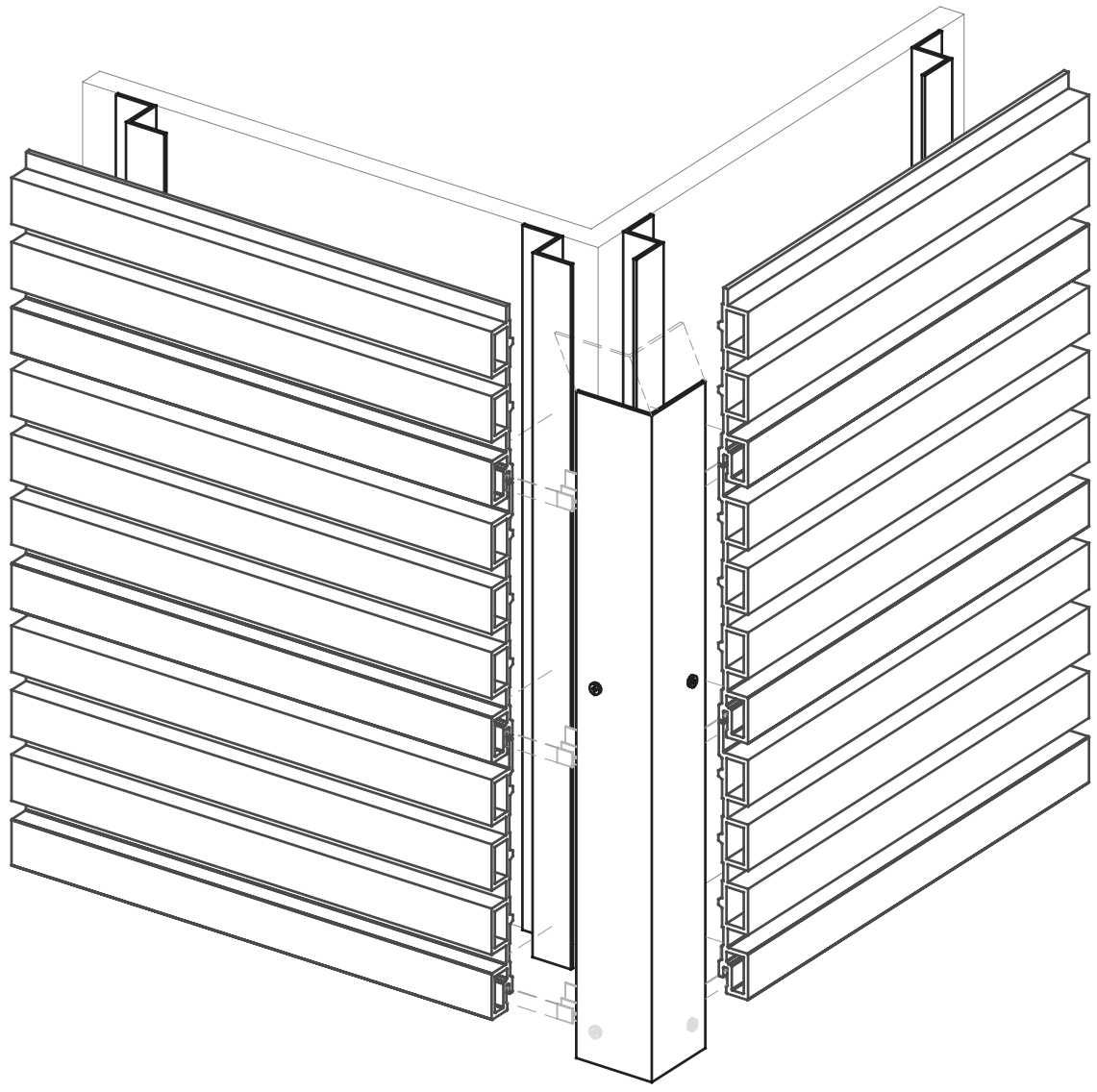
REVISIONS:			
REV:	DESCRIPTION:	BY:	DATE:
A	description	by	xx/xx/xx




SITE: XXX	XX DRAWING NO.		XX PROJECT NO.	MM,DD,YY DATE.
TITLE: 3D	N/S SCALE AT A4.	AD DRAWN.	XX CHECKED.	00 REVISION.

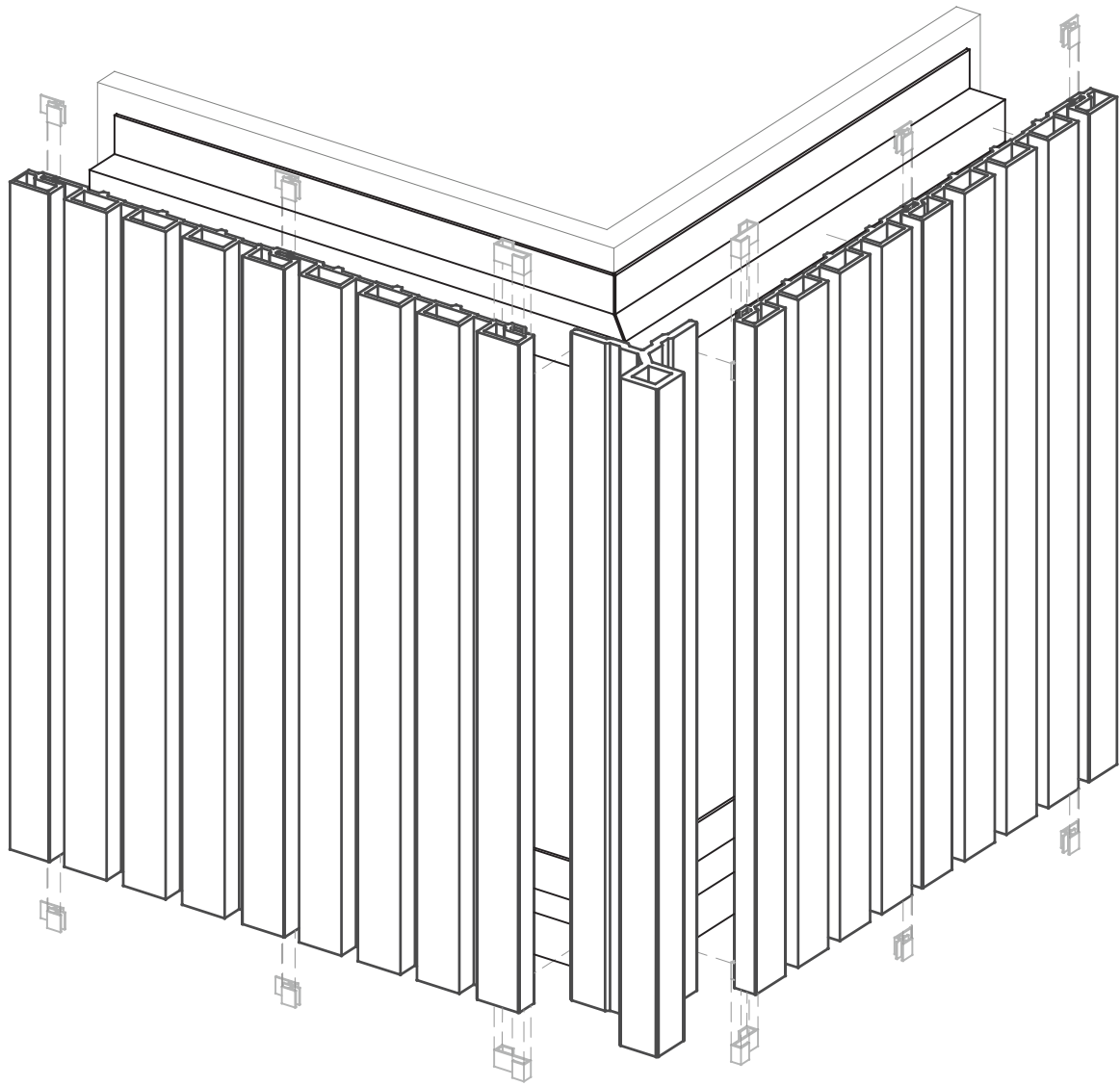


 142-150 Cooper Street, Epping Victoria 3076
 © info@pavezzicomposites.com.au | 1800 pavezi
 www.pavezzicomposites.com.au



REVISIONS:			
REV:	DESCRIPTION:	BY:	DATE:
A	description	by	xx/xx/xx

SITE: XXX	XX DRAWING NO.		XX PROJECT NO.	MM,DD,YY DATE.	 <p>142-150 Cooper Street, Epping Victoria 3076 © info@pavezzicomposites.com.au 1800 pavezi www.pavezzicomposites.com.au</p>
	TITLE: 3D	N/S SCALE AT A4.	AD DRAWN.	XX CHECKED.	



REVISIONS:			
REV:	DESCRIPTION:	BY:	DATE:
A	description	by	xx/xx/xx

SITE: XXX

XX
DRAWING NO.

XX
PROJECT NO.

MM,DD,YY
DATE.

TITLE: 3D

N/S
SCALE AT A4.

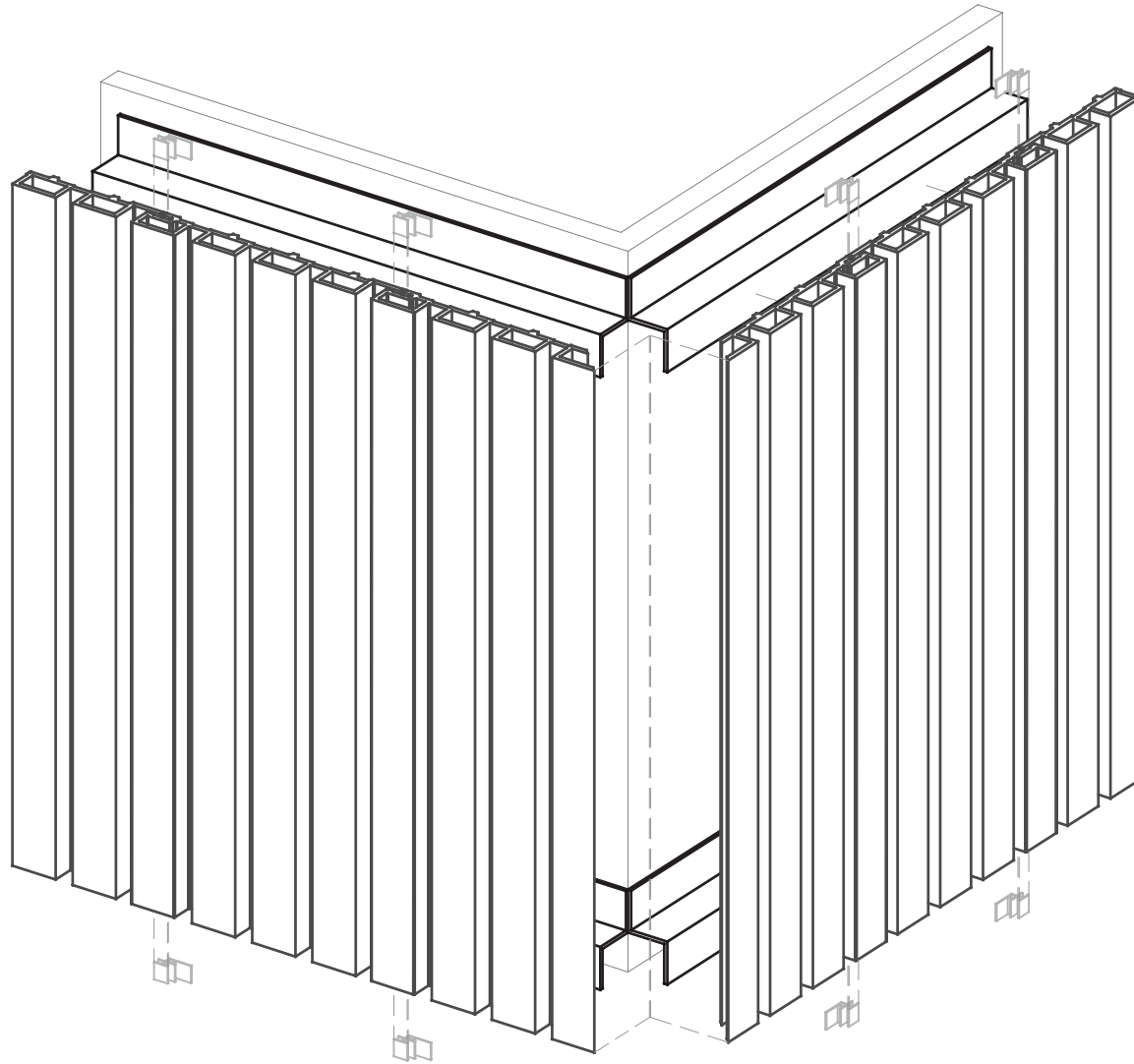
AD
DRAWN.

XX
CHECKED.

00
REVISION.

PAVEZZI
COMPOSITES™

📍 142-150 Cooper Street, Epping Victoria 3076
 © info@pavezzicomposites.com.au | 📞 1800 pavezi
 🌐 www.pavezzicomposites.com.au



REVISIONS:			
REV:	DESCRIPTION:	BY:	DATE:
A	description	by	xx/xx/xx

SITE:	XXX	XX	XX	MM,DD,YY
		DRAWING NO.	PROJECT NO.	DATE.
TITLE:	3D	N/S	AD	XX
		SCALE AT A4.	DRAWN.	CHECKED.
				00
				REVISION.

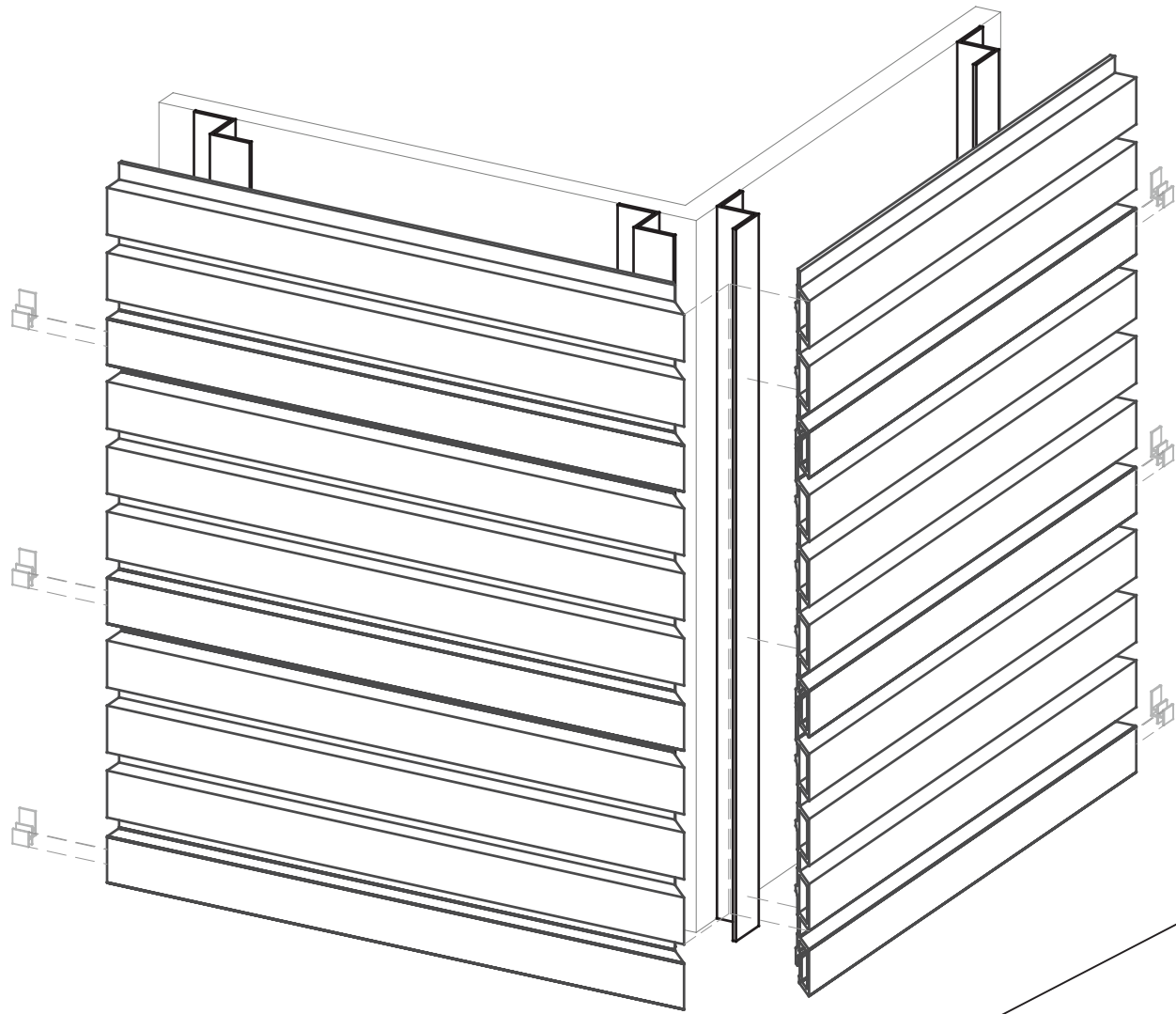



 142-150 Cooper Street, Epping Victoria 3076

 © info@pavezzicomposites.com.au | 1800 pavezi

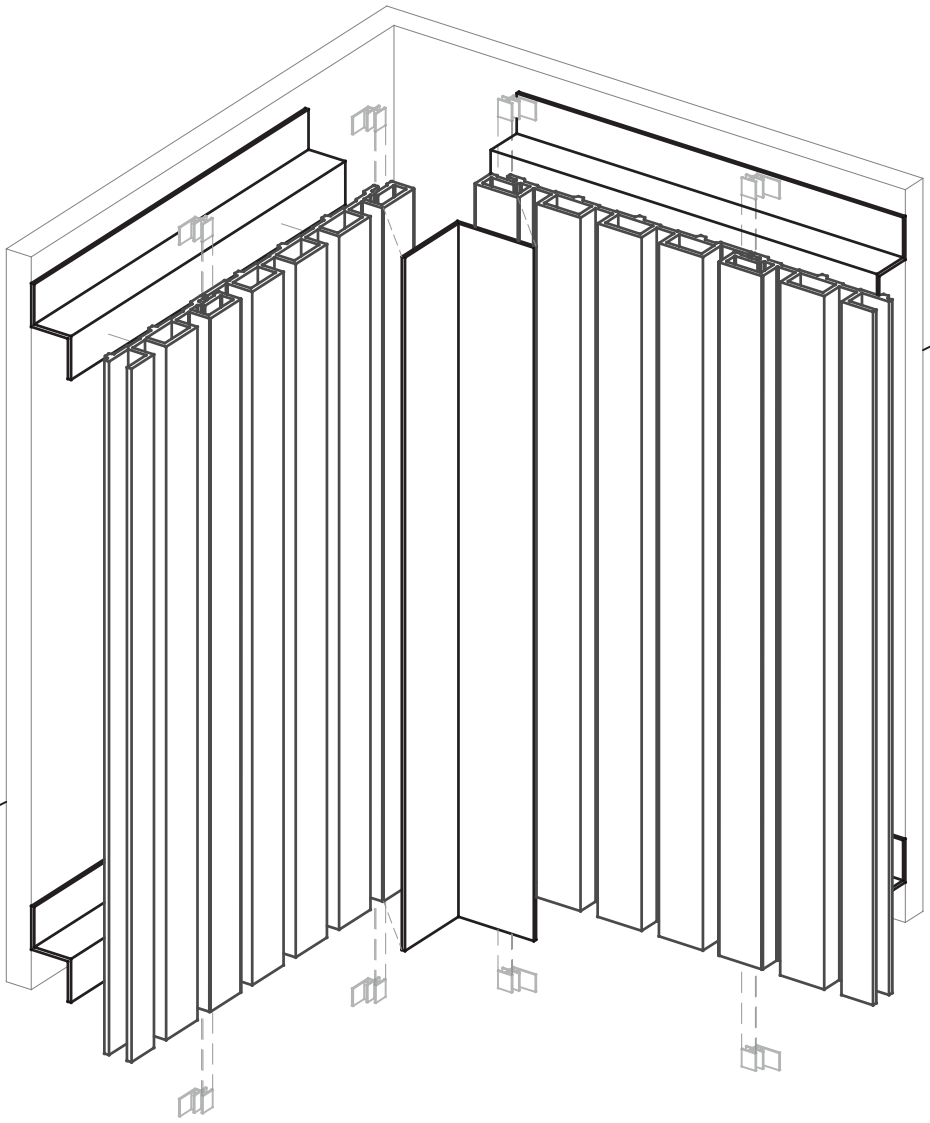
 www.pavezzicomposites.com.au

REVISIONS:			
REV:	DESCRIPTION:	BY:	DATE:
A	description	by	xx/xx/xx



SITE: XXX	XX DRAWING NO.		XX PROJECT NO.	MM,DD,YY DATE.	 <p>142-150 Cooper Street, Epping Victoria 3076 © info@pavezzicomposites.com.au 1800 pavezi www.pavezzicomposites.com.au</p>
TITLE: 3D	N/S SCALE AT A4.	AD DRAWN.	XX CHECKED.	00 REVISION.	

REVISIONS:			
REV:	DESCRIPTION:	BY:	DATE:
A	description	by	xx/xx/xx

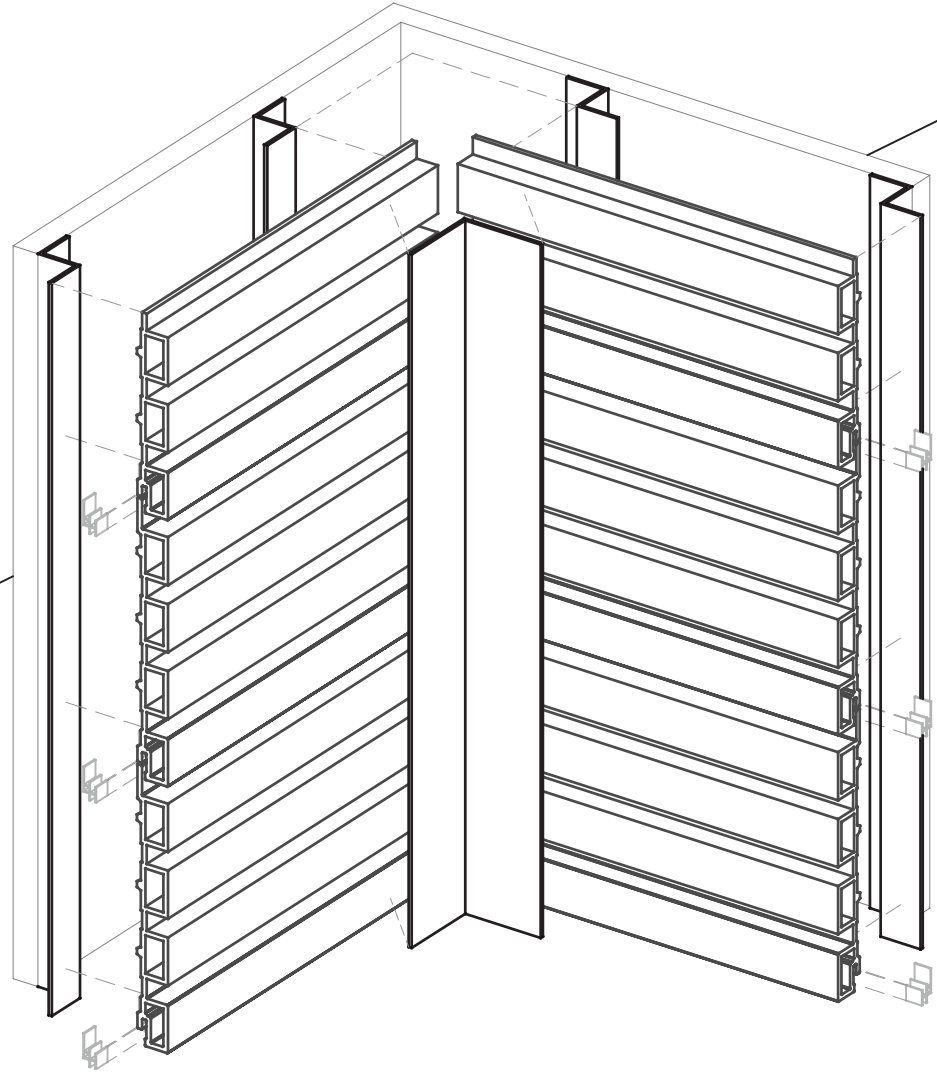


SITE:	XXX	XX	XX	MM,DD,YY
		DRAWING NO.	PROJECT NO.	DATE.
TITLE:	3D	N/S	AD	XX
		SCALE AT A4.	DRAWN.	CHECKED.
				00
				REVISION.

PAVEZZI
COMPOSITES™

142-150 Cooper Street, Epping Victoria 3076
 © info@pavezzicomposites.com.au | 1800 pavezi
 www.pavezzicomposites.com.au

REVISIONS:			
REV:	DESCRIPTION:	BY:	DATE:
A	description	by	xx/xx/xx

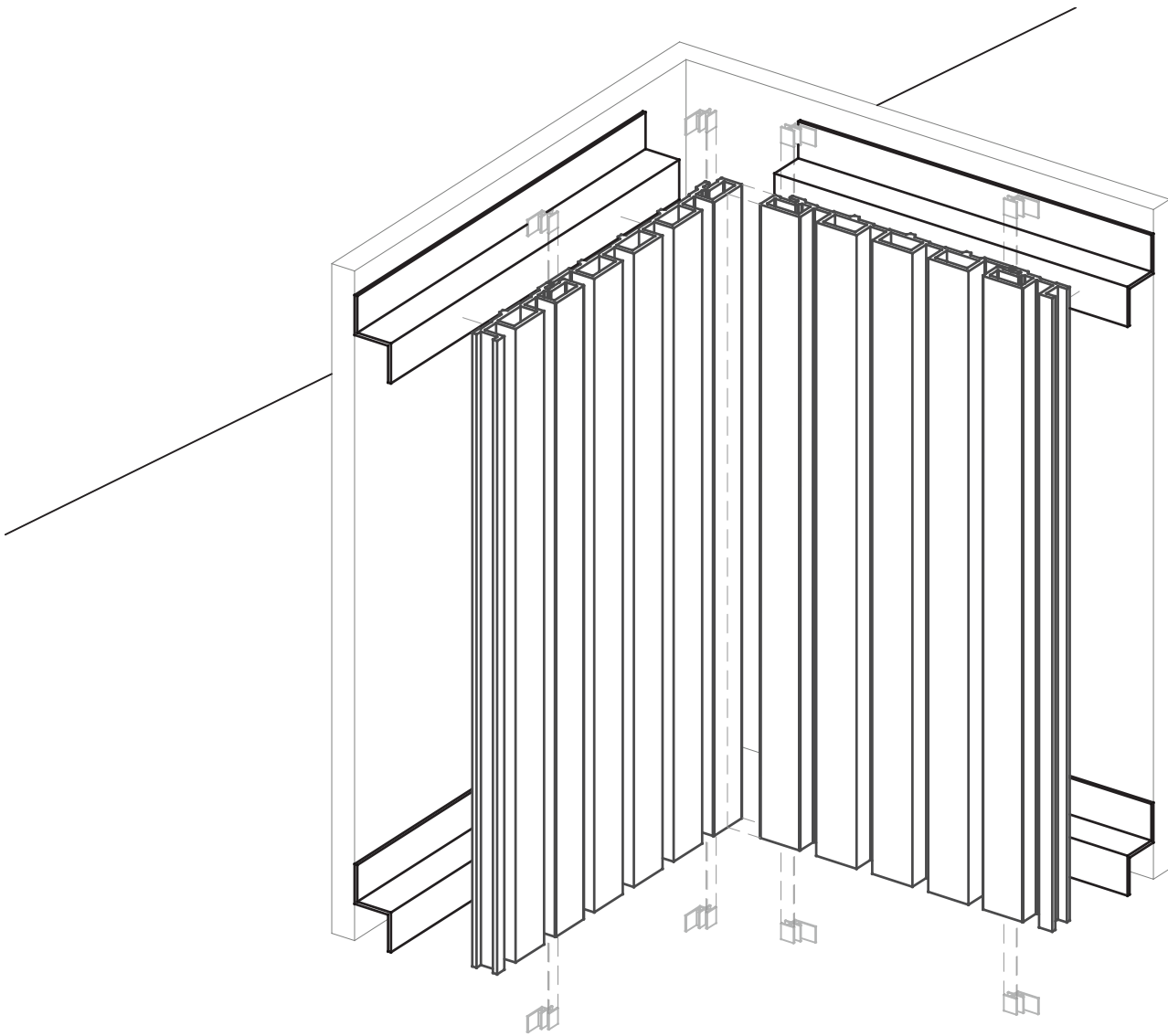


SITE: XXX	XX DRAWING NO.		XX PROJECT NO.	MM,DD,YY DATE.
TITLE: 3D	N/S SCALE AT A4.	AD DRAWN.	XX CHECKED.	00 REVISION.

PAVEZZI
COMPOSITES™

142-150 Cooper Street, Epping Victoria 3076
 © info@pavezzicomposites.com.au | 1800 pavezi
 www.pavezzicomposites.com.au

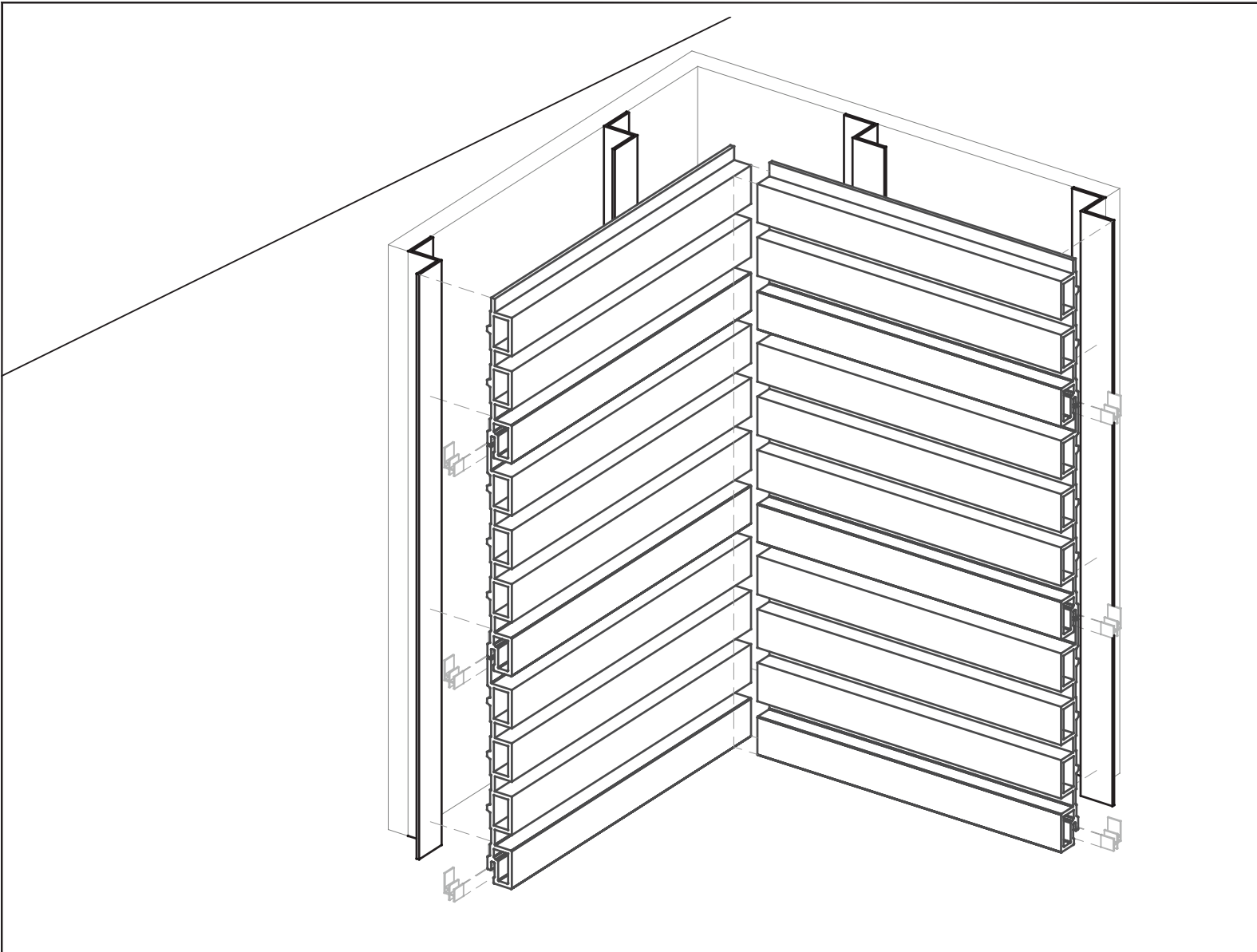
REVISIONS:			
REV:	DESCRIPTION:	BY:	DATE:
A	description	by	xx/xx/xx



SITE:	XXX	XX	XX	MM,DD,YY
		DRAWING NO.	PROJECT NO.	DATE.
TITLE:	3D	N/S	AD	XX
		SCALE AT A4.	DRAWN.	CHECKED.
				00
				REVISION.

PAVEZZI
COMPOSITES™

142-150 Cooper Street, Epping Victoria 3076
 © info@pavezzicomposites.com.au | 1800 pavezi
 www.pavezzicomposites.com.au



REVISIONS:			
REV:	DESCRIPTION:	BY:	DATE:
A	description	by	xx/xx/xx

SITE: XXX

XX
DRAWING NO.

XX
PROJECT NO.

MM,DD,YY
DATE.

TITLE: 3D

N/S
SCALE AT A4.

AD
DRAWN.

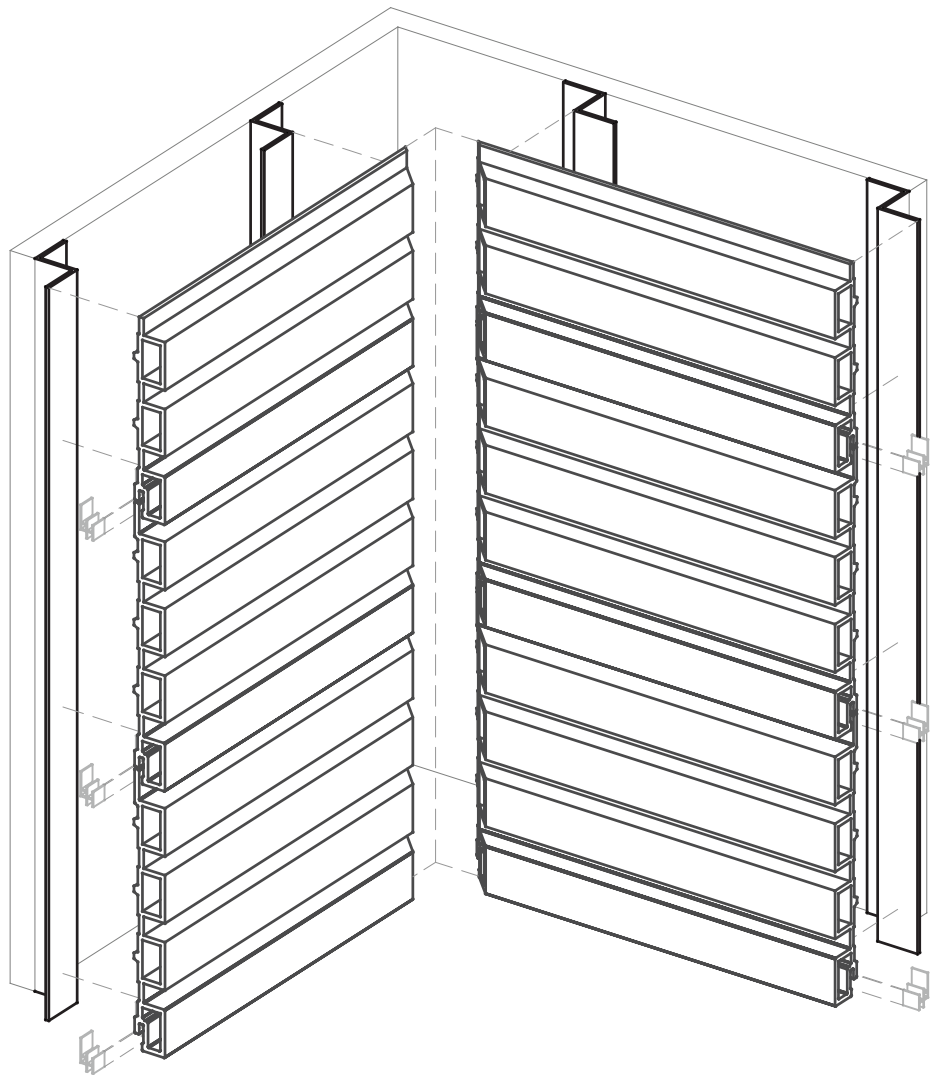
XX
CHECKED.


00
REVISION.



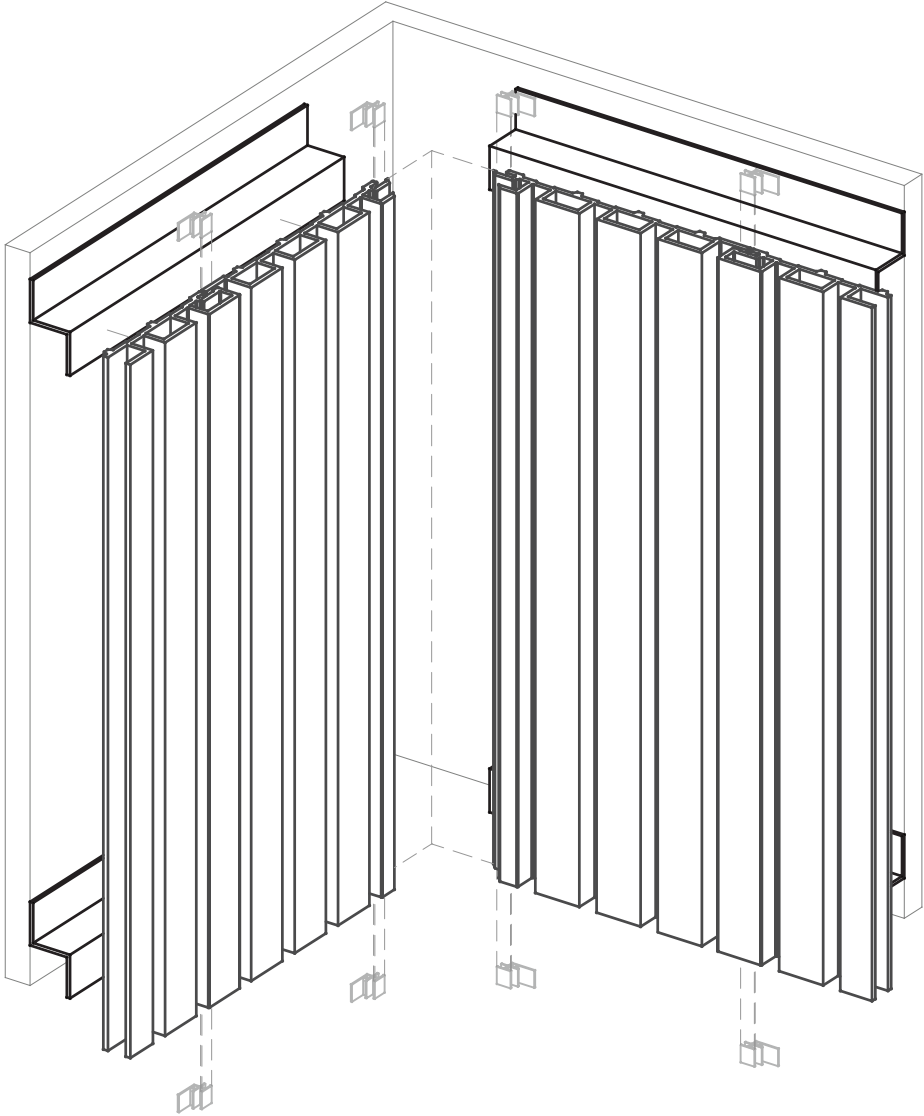
142-150 Cooper Street, Epping Victoria 3076
 © info@pavezzicomposites.com.au | 1800 pavezi
 www.pavezzicomposites.com.au

REVISIONS:			
REV:	DESCRIPTION:	BY:	DATE:
A	description	by	xx/xx/xx



SITE: XXX	XX DRAWING NO.		XX PROJECT NO.	MM,DD,YY DATE.	 <p>142-150 Cooper Street, Epping Victoria 3076 © info@pavezzicomposites.com.au 1800 pavezi www.pavezzicomposites.com.au</p>
TITLE: 3D	N/S SCALE AT A4.	AD DRAWN.	XX CHECKED.	00 REVISION.	

REVISIONS:			
REV:	DESCRIPTION:	BY:	DATE:
A	description	by	xx/xx/xx



SITE:	XXX	XX	XX	MM,DD,YY
		DRAWING NO.	PROJECT NO.	DATE.
TITLE:	3D	N/S	AD	XX
		SCALE AT A4.	DRAWN.	CHECKED.
				00
				REVISION.

PAVEZZI
COMPOSITES™

📍 142-150 Cooper Street, Epping Victoria 3076
 © info@pavezzicomposites.com.au | 📞 1800 pavezi
 🌐 www.pavezzicomposites.com.au