

| REVISIONS: |              |     |          |
|------------|--------------|-----|----------|
| REV:       | DESCRIPTION: | BY: | DATE:    |
| A          | description  | by  | xx/xx/xx |

EXTERIOR SHEATHING  
BY OTHERS

Z BAR IF REQUIRED

AV BARRIER BY OTHERS

FINELINE CLADDING

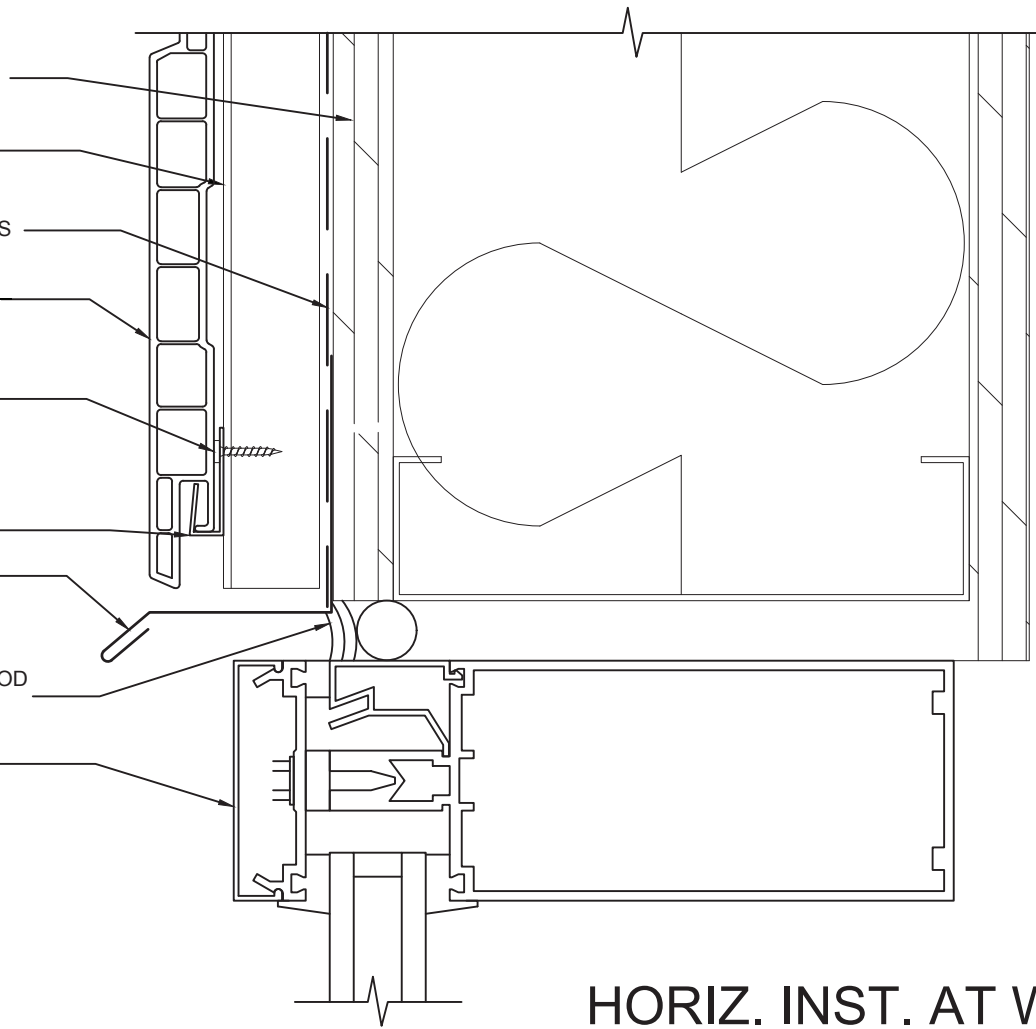
PAN HEAD SCREW

STARTER CLIP


FLASHING

CAULKING W/BACKER ROD  
BY OTHERS

WINDOW HEAD



### HORIZ. INST. AT WINDOW HEAD

|                                      |                     |  |                   |                   |   |
|--------------------------------------|---------------------|--|-------------------|-------------------|---|
| SITE:<br>XXX                         | XX<br>DRAWING NO.   |  | XX<br>PROJECT NO. | MM,DD,YY<br>DATE. |  <p>142-150 Cooper Street, Epping Victoria 3076<br/>         © info@pavezzicomposites.com.au   1800 pavezi<br/>         www.pavezzicomposites.com.au</p> |
|                                      | 1:2<br>SCALE AT A4. |  | AD<br>DRAWN.      | XX<br>CHECKED.    |   |
| TITLE:<br>JOINT DETAIL @ WINDOW HEAD |                     |  |                   |                   |   |

| REVISIONS: |              |     |          |
|------------|--------------|-----|----------|
| REV:       | DESCRIPTION: | BY: | DATE:    |
| A          | description  | by  | xx/xx/xx |

PAN HEAD SCREW @ 2" O.C.

EXTERIOR SHEATHING  
BY OTHERS

AV BARRIER BY OTHERS

FINELINE CLADDING

Z BAR IF REQUIRED

PAN HEAD SCREW

J TRIM (START AND FINISH TRIM)

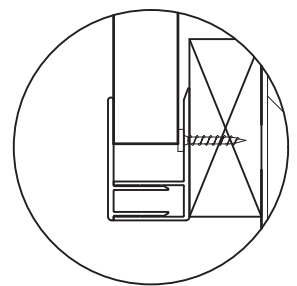
FLASHING

CAULKING W/BACKER ROD  
BY OTHERS

WINDOW HEAD

F TRIM (START AND FINISH  
TRIM) ALSO AVAILABLE

## VERT. INST. AT WINDOW HEAD

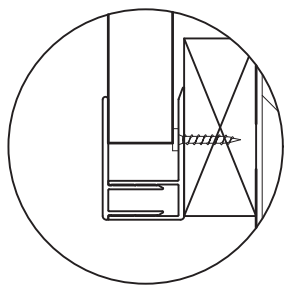
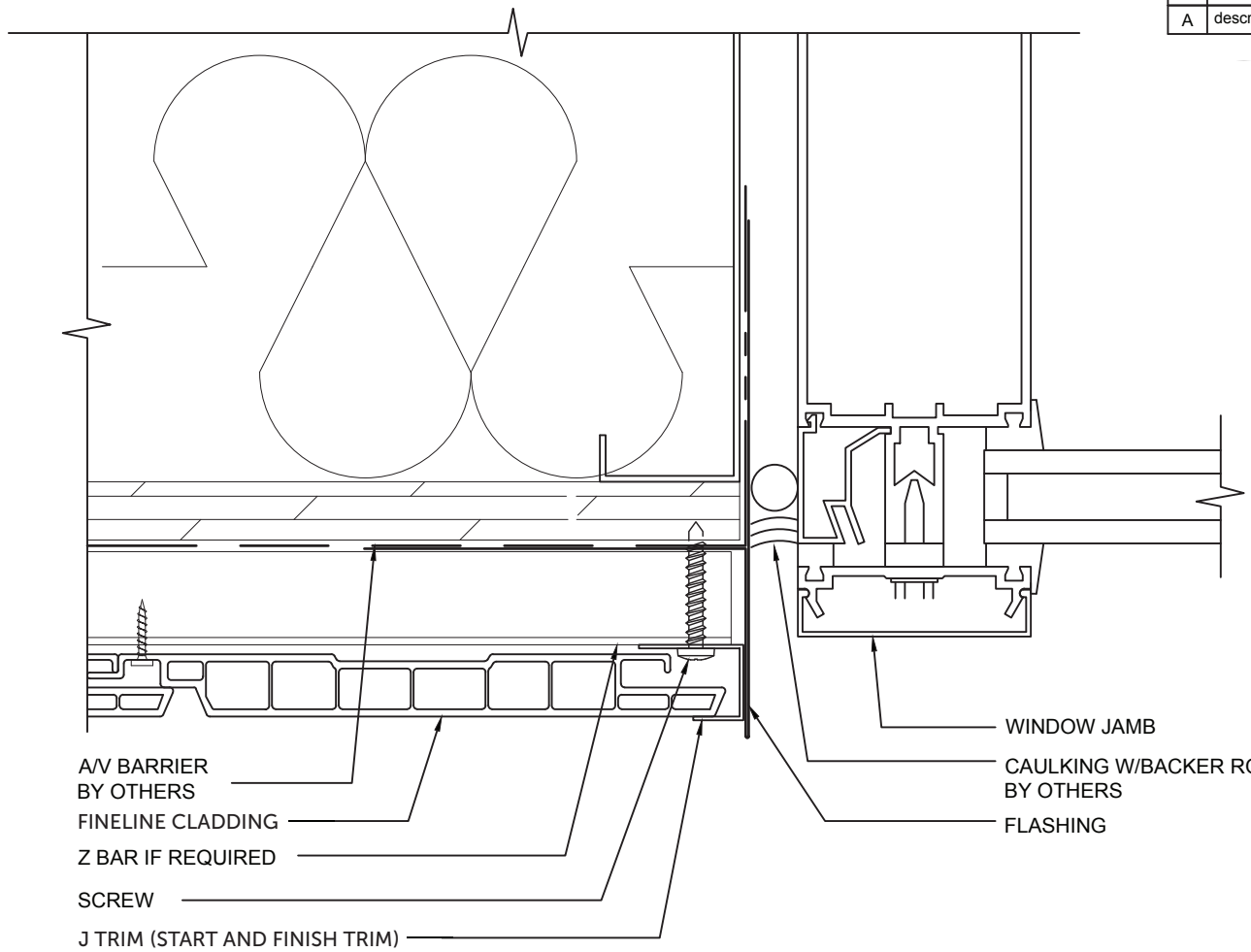


|                                      |                     |                   |                             |
|--------------------------------------|---------------------|-------------------|-----------------------------|
| SITE:<br>XXX                         | XX<br>DRAWING NO.   | XX<br>PROJECT NO. | MM,DD,YY<br>DATE.           |
| TITLE:<br>JOINT DETAIL @ WINDOW HEAD | 1:2<br>SCALE AT A4. | AD<br>DRAWN.      | XX 00<br>CHECKED. REVISION. |

**PAVEEZZI**  
COMPOSITES™

142-150 Cooper Street, Epping Victoria 3076  
 © info@paveezzicomposites.com.au | 1800 pavezi  
 www.paveezzicomposites.com.au

| REVISIONS: |              |     |          |
|------------|--------------|-----|----------|
| REV:       | DESCRIPTION: | BY: | DATE:    |
| A          | description  | by  | xx/xx/xx |



F TRIM (START AND FINISH TRIM) ALSO AVAILABLE

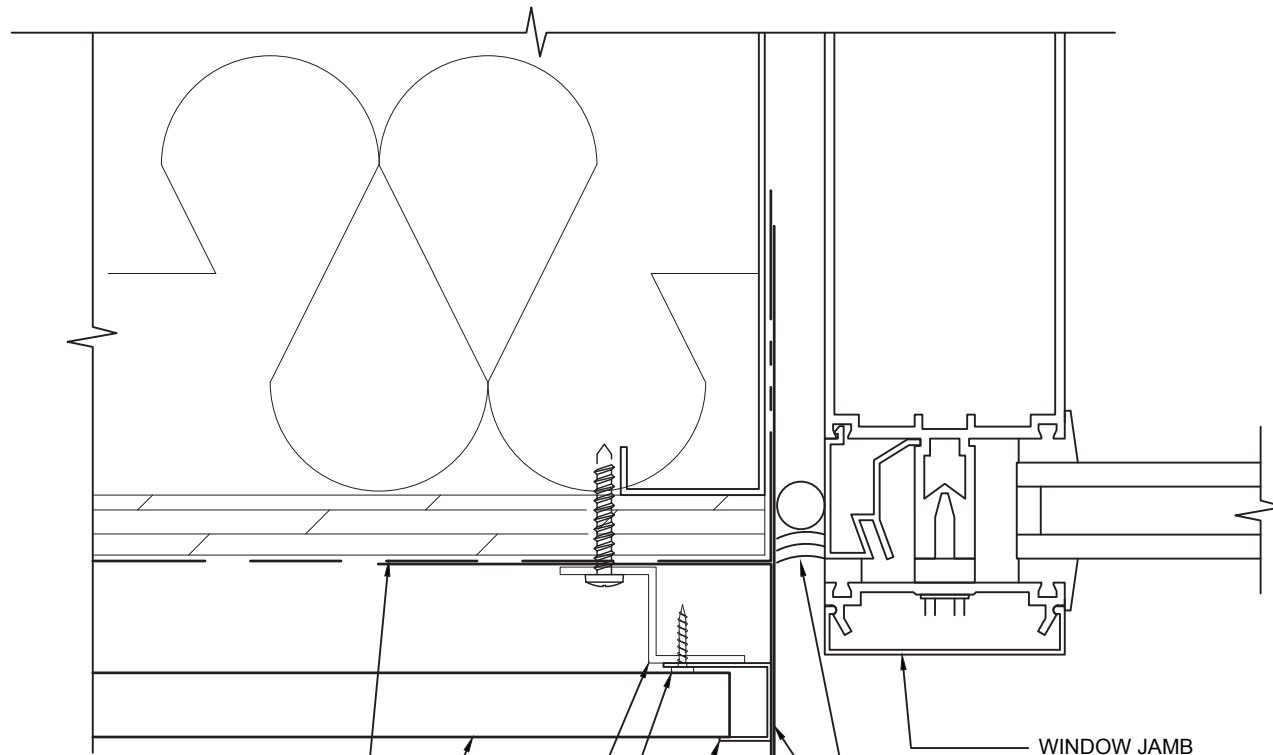
## VERT. INST. AT WINDOW JAMB

|        |                            |              |             |           |
|--------|----------------------------|--------------|-------------|-----------|
| SITE:  | XXX                        | XX           | XX          | MM,DD,YY  |
|        |                            | DRAWING NO.  | PROJECT NO. | DATE.     |
| TITLE: | JOINT DETAIL @ WINDOW JAMB | 1:2          | AD          | XX        |
|        |                            | SCALE AT A4. | DRAWN.      | CHECKED.  |
|        |                            |              |             | 00        |
|        |                            |              |             | REVISION. |

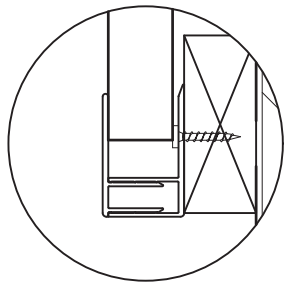
**PAVEZZI**  
COMPOSITES™

142-150 Cooper Street, Epping Victoria 3076  
 © info@pavezzicomposites.com.au | 1800 pavezi  
 www.pavezzicomposites.com.au

| REVISIONS: |              |     |          |
|------------|--------------|-----|----------|
| REV:       | DESCRIPTION: | BY: | DATE:    |
| A          | description  | by  | xx/xx/xx |



- AV BARRIER BY OTHERS
- FINELINE CLADDING
- Z BAR IF REQUIRED
- PAN HEAD SCREW
- J TRIM (START AND FINISH TRIM)
- WINDOW JAMB
- CAULKING W/BACKER ROD BY OTHERS
- FLASHING



F TRIM (START AND FINISH TRIM) ALSO AVAILABLE

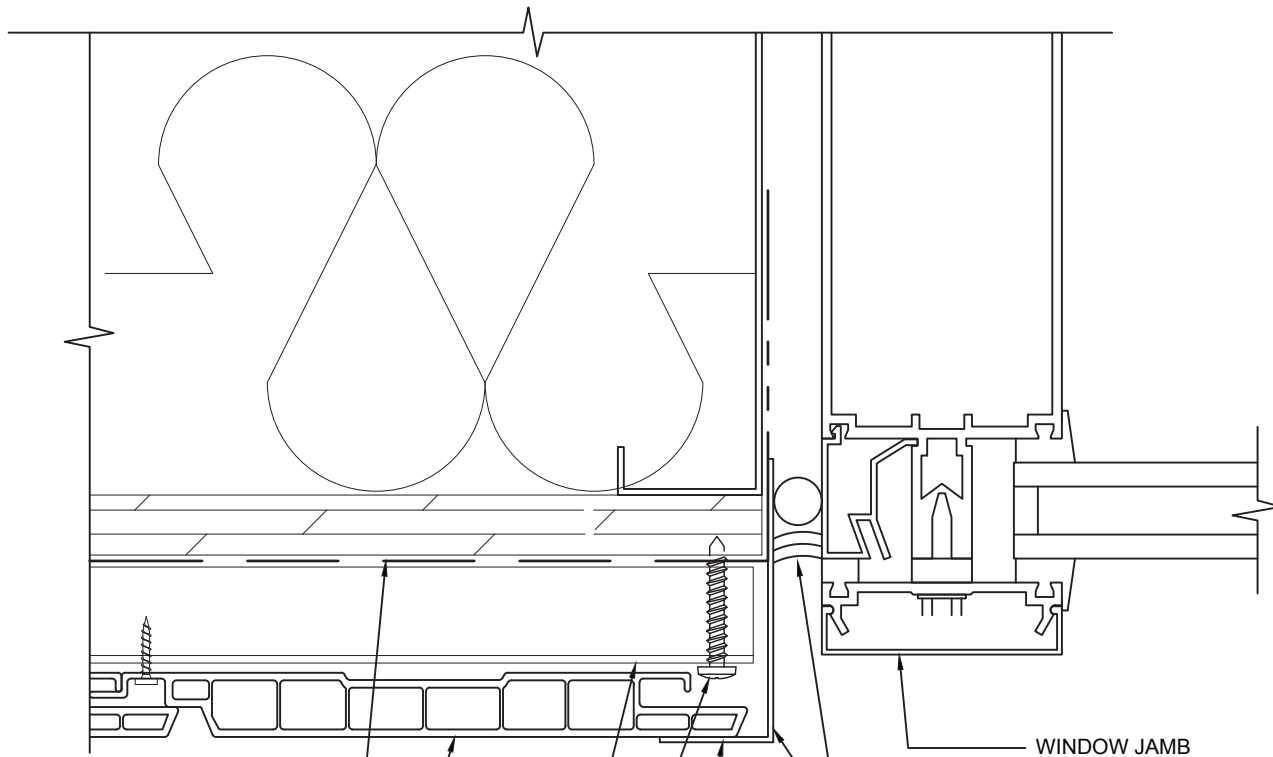
## HORIZ. INST. AT WINDOW JAMB

|                                      |                     |                   |                             |
|--------------------------------------|---------------------|-------------------|-----------------------------|
| SITE:<br>XXX                         | XX<br>DRAWING NO.   | XX<br>PROJECT NO. | MM,DD,YY<br>DATE.           |
| TITLE:<br>JOINT DETAIL @ WINDOW JAMB | 1:2<br>SCALE AT A4. | AD<br>DRAWN.      | XX 00<br>CHECKED. REVISION. |

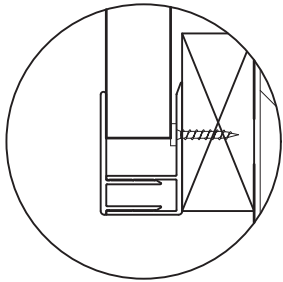
**PAVEZZI**  
COMPOSITES™

142-150 Cooper Street, Epping Victoria 3076  
 © info@pavezzicomposites.com.au | 1800 pavezi  
 www.pavezzicomposites.com.au

| REVISIONS: |              |     |          |
|------------|--------------|-----|----------|
| REV:       | DESCRIPTION: | BY: | DATE:    |
| A          | description  | by  | xx/xx/xx |



- AV BARRIER BY OTHERS
- FINELINE CLADDING
- Z BAR IF REQUIRED
- SCREW
- J TRIM (START AND FINISH TRIM)
- WINDOW JAMB
- CAULKING W/BACKER ROD BY OTHERS
- "L" TRIM



F TRIM (START AND FINISH TRIM) ALSO AVAILABLE

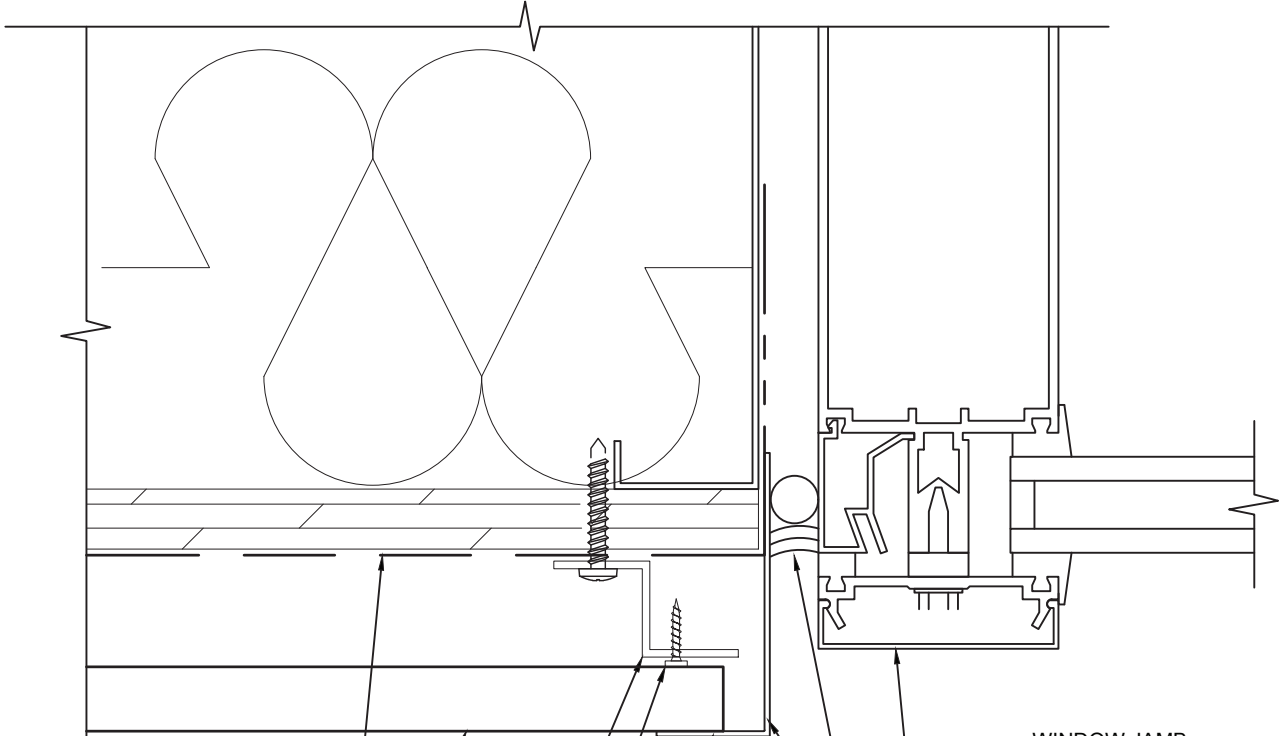
## VERT. INST. AT WINDOW JAMB

|                                      |                     |                   |                             |
|--------------------------------------|---------------------|-------------------|-----------------------------|
| SITE:<br>XXX                         | XX<br>DRAWING NO.   | XX<br>PROJECT NO. | MM,DD,YY<br>DATE.           |
| TITLE:<br>JOINT DETAIL @ WINDOW JAMB | 1:2<br>SCALE AT A4. | AD<br>DRAWN.      | XX 00<br>CHECKED. REVISION. |

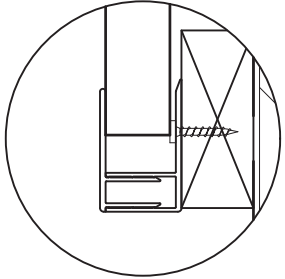
**PAVEEZZI**  
COMPOSITES™

142-150 Cooper Street, Epping Victoria 3076  
 © info@paveezzicomposites.com.au | 1800 pavezi  
 www.paveezzicomposites.com.au

| REVISIONS: |              |     |          |
|------------|--------------|-----|----------|
| REV:       | DESCRIPTION: | BY: | DATE:    |
| A          | description  | by  | xx/xx/xx |



- A/V BARRIER BY OTHERS
- FINELINE CLADDING
- Z BAR IF REQUIRED
- PAN HEAD SCREW
- J TRIM (START AND FINISH TRIM)
- WINDOW JAMB
- CAULKING W/BACKER ROD BY OTHERS
- "L" TRIM



F TRIM (START AND FINISH TRIM) ALSO AVAILABLE

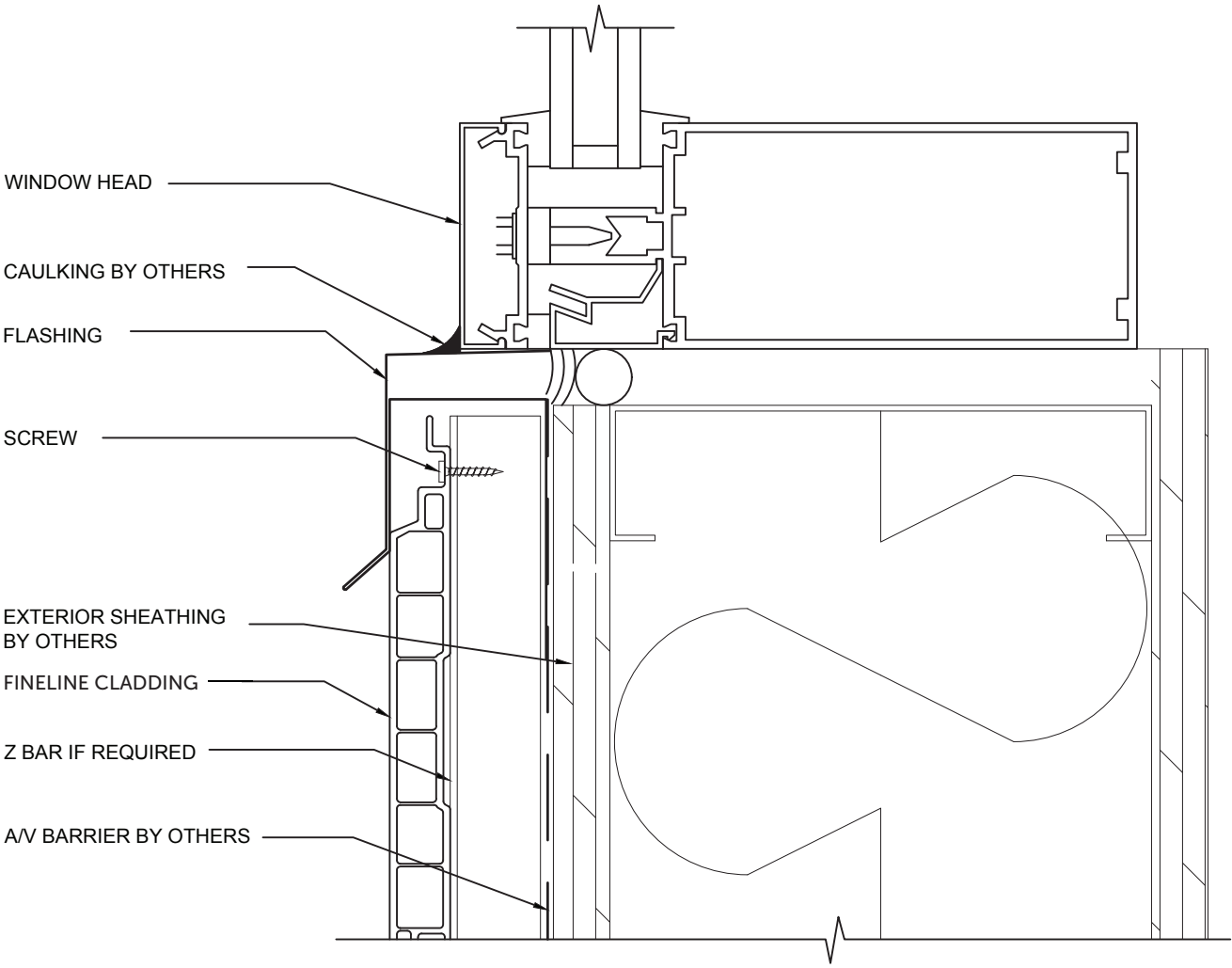
## HORIZ. INST. AT WINDOW JAMB

|                                      |                     |              |                   |                   |
|--------------------------------------|---------------------|--------------|-------------------|-------------------|
| SITE:<br>XXX                         | DRAWING NO.<br>XX   |              | PROJECT NO.<br>XX | DATE.<br>MM,DD,YY |
| TITLE:<br>JOINT DETAIL @ WINDOW JAMB | SCALE AT A4.<br>1:2 | DRAWN.<br>AD | CHECKED.<br>XX    | REVISION.<br>00   |


**PAVEZZI COMPOSITES™**

142-150 Cooper Street, Epping Victoria 3076  
 © info@pavezzicomposites.com.au | 1800 pavezi  
 www.pavezzicomposites.com.au

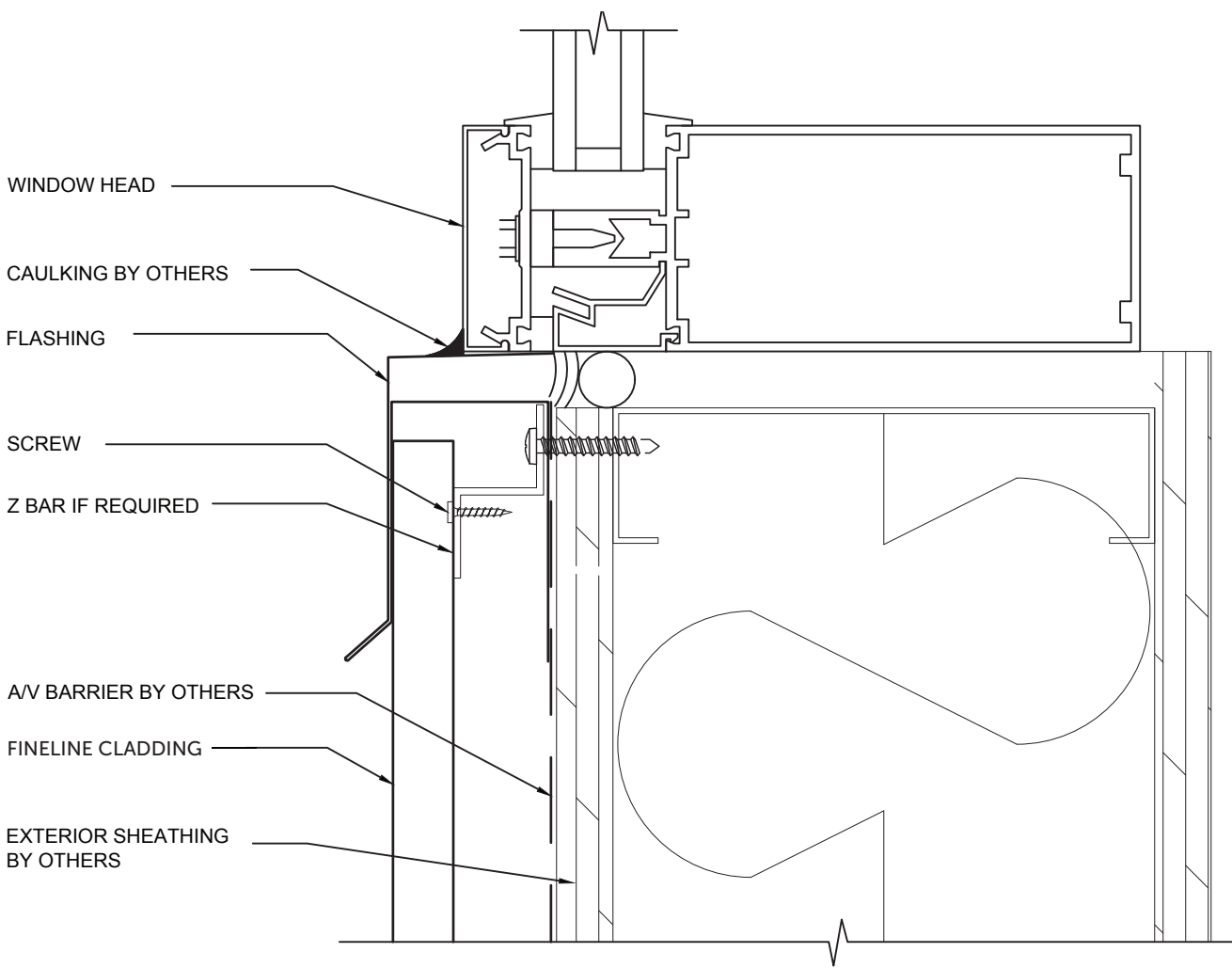
| REVISIONS: |              |     |          |
|------------|--------------|-----|----------|
| REV:       | DESCRIPTION: | BY: | DATE:    |
| A          | description  | by  | xx/xx/xx |



**HORIZ. INST. AT WINDOW SILL**


|              |                                      |                     |                   |                   |   |
|--------------|--------------------------------------|---------------------|-------------------|-------------------|---|
| SITE:<br>XXX | XX<br>DRAWING NO.                    |                     | XX<br>PROJECT NO. | MM,DD,YY<br>DATE. |  <p>142-150 Cooper Street, Epping Victoria 3076<br/>         © info@pavezzicomposites.com.au   1800 pavezi<br/>         www.pavezzicomposites.com.au</p> |
|              | TITLE:<br>JOINT DETAIL @ WINDOW JAMB | 1:2<br>SCALE AT A4. | AD<br>DRAWN.      | XX<br>CHECKED.    |   |

| REVISIONS: |              |     |          |
|------------|--------------|-----|----------|
| REV:       | DESCRIPTION: | BY: | DATE:    |
| A          | description  | by  | xx/xx/xx |

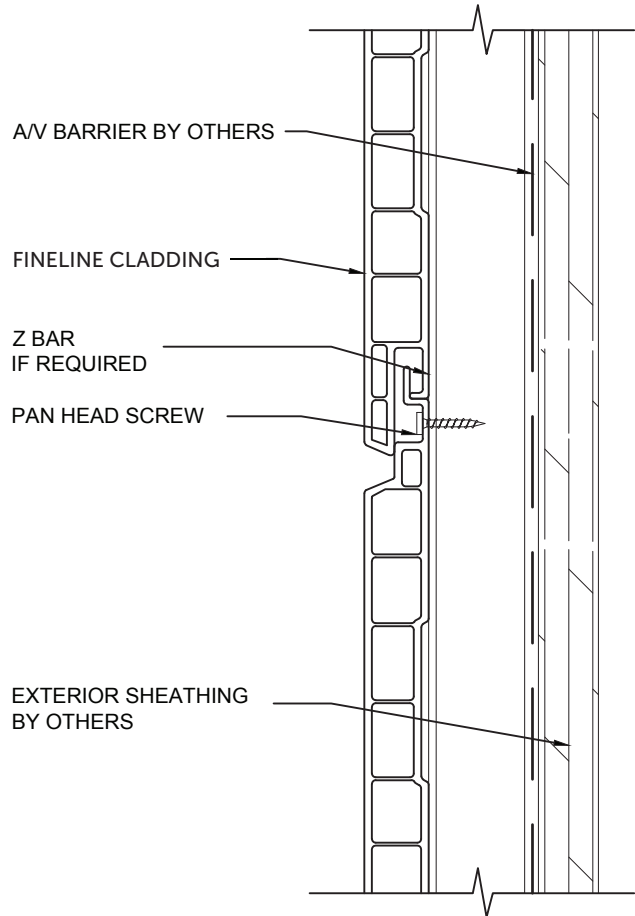


- WINDOW HEAD
- CAULKING BY OTHERS
- FLASHING
- SCREW
- Z BAR IF REQUIRED
- A/V BARRIER BY OTHERS
- FINELINE CLADDING
- EXTERIOR SHEATHING BY OTHERS

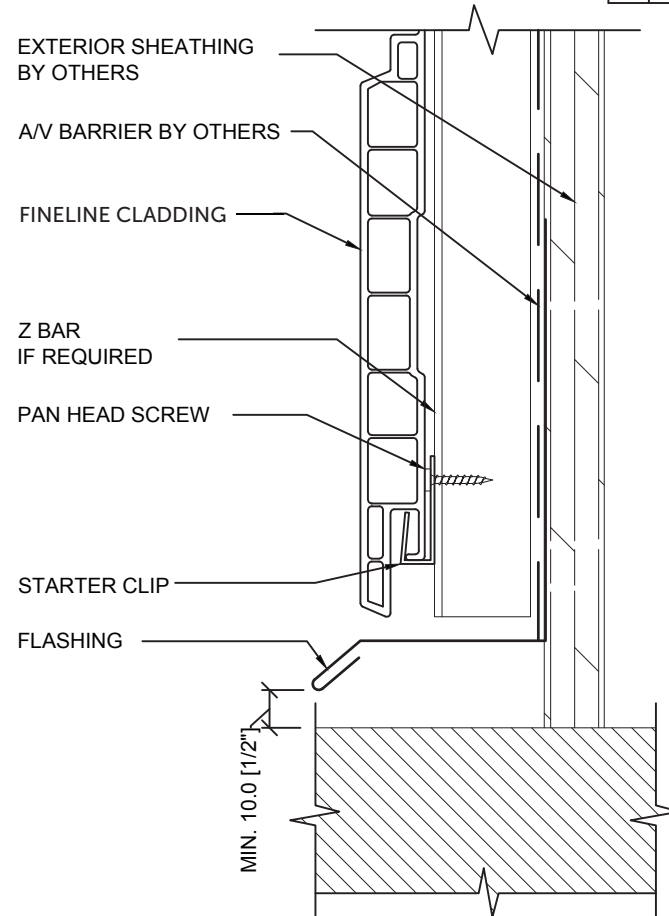
VERT. INST. AT WINDOW SILL

|              |                                      |                     |                   |                   |   |
|--------------|--------------------------------------|---------------------|-------------------|-------------------|---|
| SITE:<br>XXX | XX<br>DRAWING NO.                    |                     | XX<br>PROJECT NO. | MM,DD,YY<br>DATE. |  <p>142-150 Cooper Street, Epping Victoria 3076<br/>         © info@pavezzicomposites.com.au   1800 pavezi<br/>         www.pavezzicomposites.com.au</p> |
|              | TITLE:<br>JOINT DETAIL @ WINDOW JAMB | 1:2<br>SCALE AT A4. | AD<br>DRAWN.      | XX<br>CHECKED.    |   |

| REVISIONS: |              |     |          |
|------------|--------------|-----|----------|
| REV:       | DESCRIPTION: | BY: | DATE:    |
| A          | description  | by  | xx/xx/xx |



HORIZ. INST. JOINT TYP.



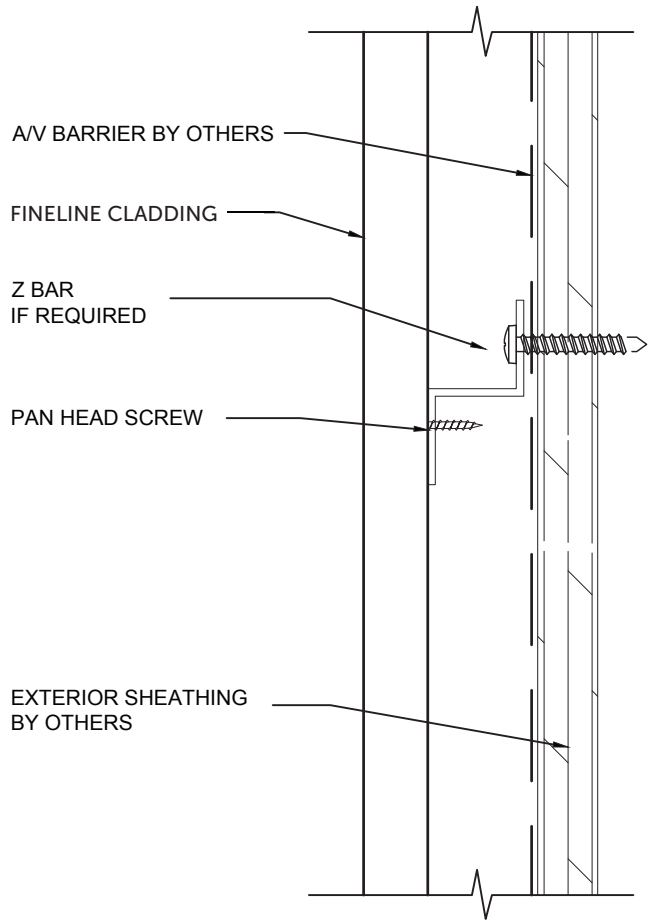
HORIZ. INST. END

|                             |                     |              |                   |                   |
|-----------------------------|---------------------|--------------|-------------------|-------------------|
| SITE:<br>XXX                | XX<br>DRAWING NO.   |              | XX<br>PROJECT NO. | MM,DD,YY<br>DATE. |
| TITLE:<br>JOINTS HORIZONTAL | 1:2<br>SCALE AT A4. | AD<br>DRAWN. | XX<br>CHECKED.    | 00<br>REVISION.   |

**PAVEZZI**  
COMPOSITES™

142-150 Cooper Street, Epping Victoria 3076  
 © info@pavezzicomposites.com.au | 1800 pavezi  
 www.pavezzicomposites.com.au

| REVISIONS: |              |     |          |
|------------|--------------|-----|----------|
| REV:       | DESCRIPTION: | BY: | DATE:    |
| A          | description  | by  | xx/xx/xx |



A/V BARRIER BY OTHERS

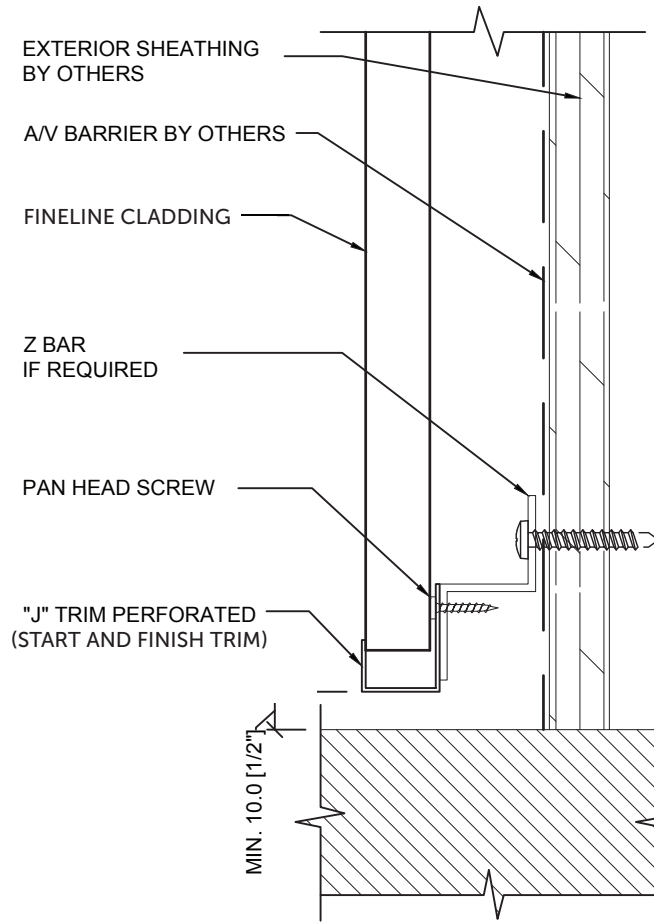
FINELINE CLADDING

Z BAR  
IF REQUIRED

PAN HEAD SCREW

EXTERIOR SHEATHING  
BY OTHERS

VERT. INST. JOINT TYP.



EXTERIOR SHEATHING  
BY OTHERS

A/V BARRIER BY OTHERS

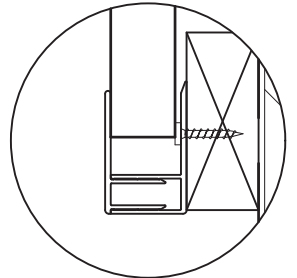
FINELINE CLADDING

Z BAR  
IF REQUIRED

PAN HEAD SCREW


"J" TRIM PERFORATED  
(START AND FINISH TRIM)

MIN. 10.0 [1/2"]

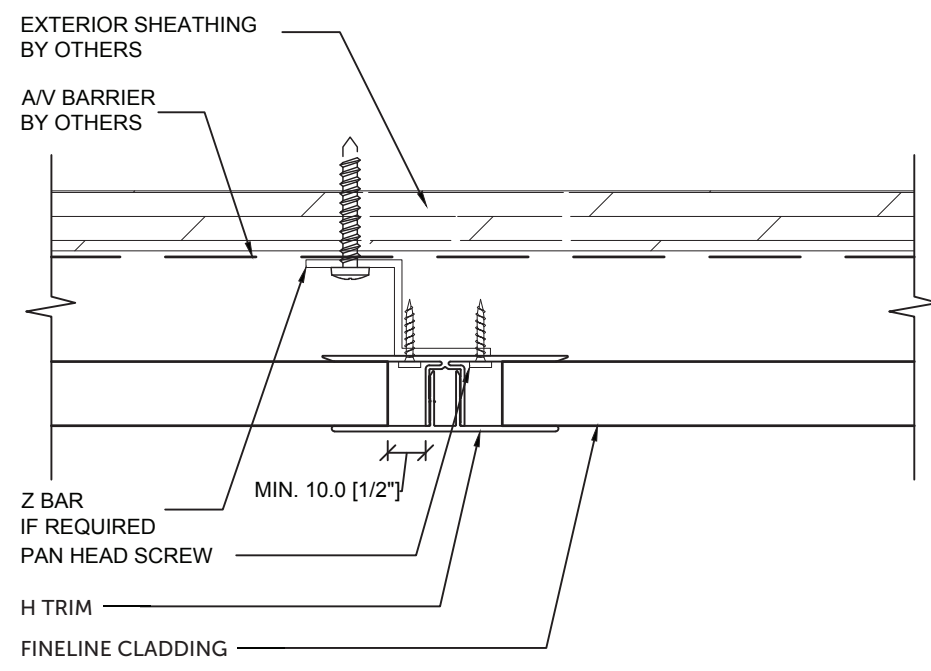


F TRIM (START AND FINISH  
TRIM) ALSO AVAILABLE

VERT. INST. END

|                          |                     |              |                   |                   |   |
|--------------------------|---------------------|--------------|-------------------|-------------------|---|
| SITE:<br>XXX             | DRAWING NO.<br>XX   |              | PROJECT NO.<br>XX | DATE.<br>MM,DD,YY |  <p>142-150 Cooper Street, Epping Victoria 3076<br/>         © info@pavezzicomposites.com.au   1800 pavezi<br/>         www.pavezzicomposites.com.au</p> |
| TITLE:<br>JOINT VERTICAL | SCALE AT A4.<br>1:2 | DRAWN.<br>AD | CHECKED.<br>XX    | REVISION.<br>00   |   |

| REVISIONS: |              |     |          |
|------------|--------------|-----|----------|
| REV:       | DESCRIPTION: | BY: | DATE:    |
| A          | description  | by  | xx/xx/xx |

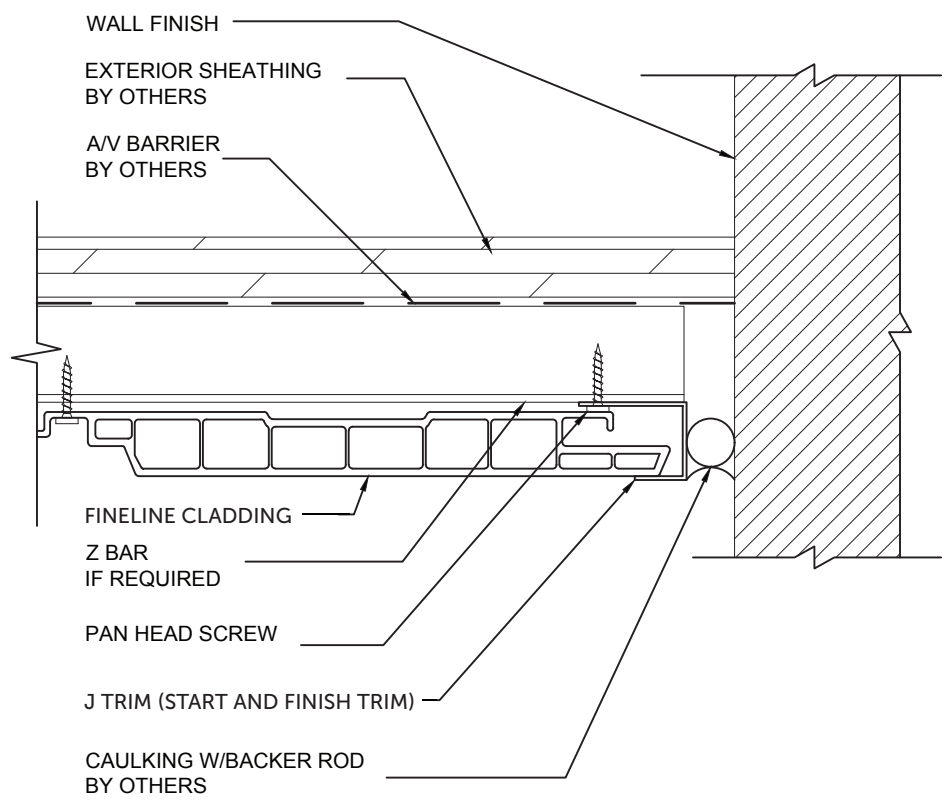


## VERTICAL "H" JOINT TYP.

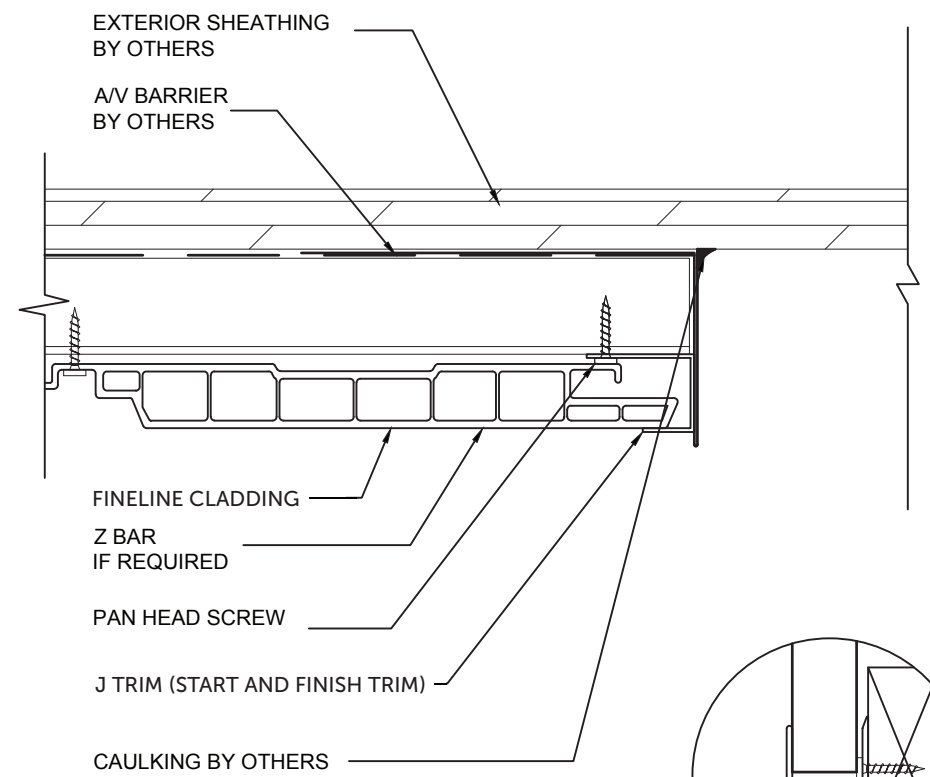
|                          |                     |                   |                                   |
|--------------------------|---------------------|-------------------|-----------------------------------|
| SITE:<br>XXX             | DRAWING NO.<br>XX   | PROJECT NO.<br>XX | DATE.<br>MM,DD,YY                 |
| TITLE:<br>JOINT VERTICAL | SCALE AT A4.<br>1:2 | DRAWN.<br>AD      | CHECKED.<br>XX<br>REVISION.<br>00 |


  
 142-150 Cooper Street, Epping Victoria 3076  
 © info@paveezzicomposites.com.au | 1800 pavezi  
 www.paveezzicomposites.com.au

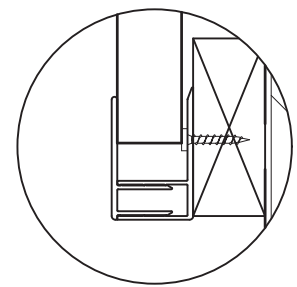
| REVISIONS: |              |     |          |
|------------|--------------|-----|----------|
| REV:       | DESCRIPTION: | BY: | DATE:    |
| A          | description  | by  | xx/xx/xx |



VERT. INST. JOINT AT WALL TYP.



VERT. INST. START TYP.



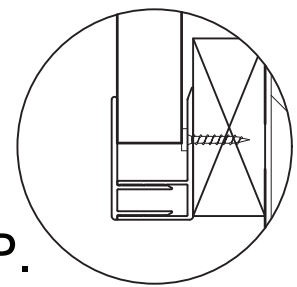
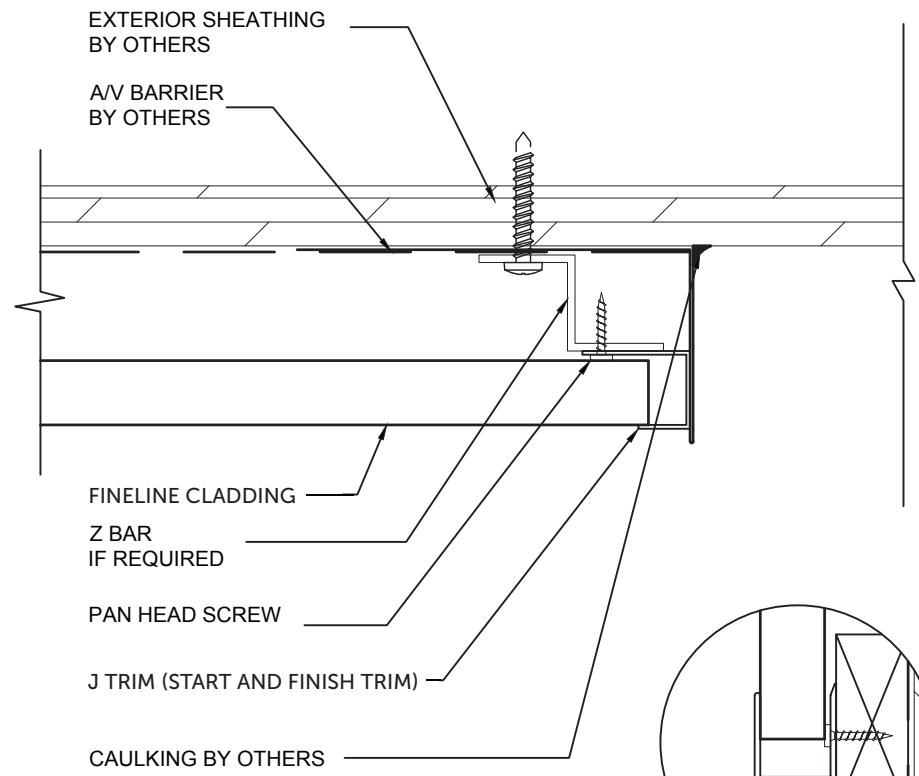
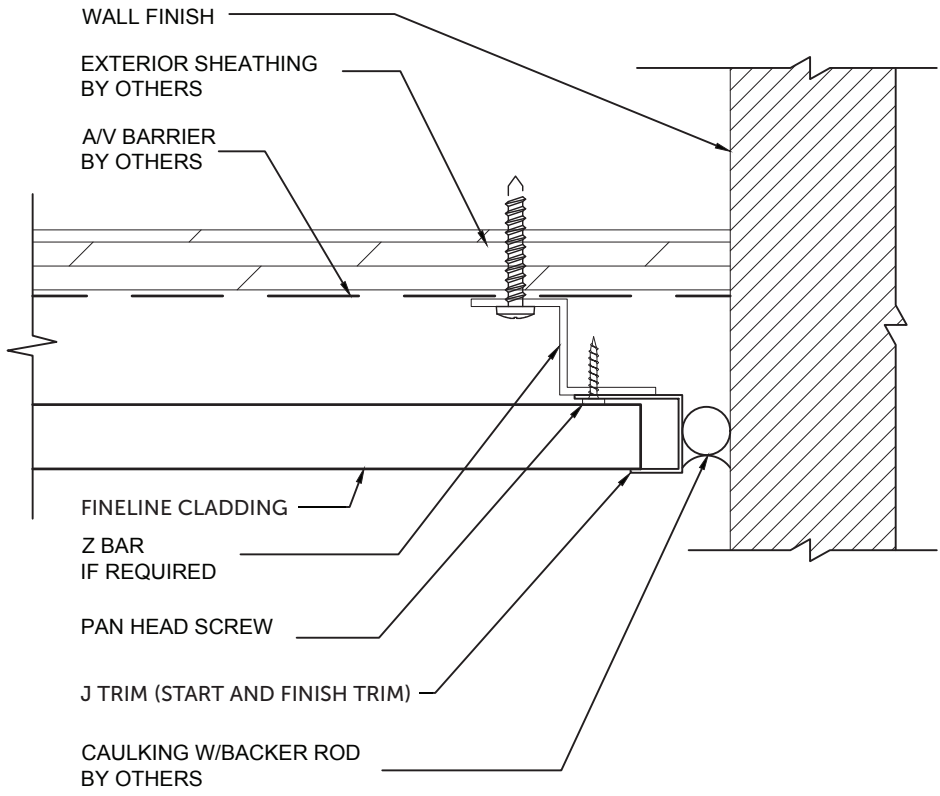
F TRIM (START AND FINISH TRIM) ALSO AVAILABLE

|        |               |              |             |           |
|--------|---------------|--------------|-------------|-----------|
| SITE:  | XXX           | XX           | XX          | MM,DD,YY  |
|        |               | DRAWING NO.  | PROJECT NO. | DATE.     |
| TITLE: | JOINT STARTER | 1:2          | AD          | XX        |
|        |               | SCALE AT A4. | DRAWN.      | CHECKED.  |
|        |               |              |             | 00        |
|        |               |              |             | REVISION. |



142-150 Cooper Street, Epping Victoria 3076  
 © info@pavezzicomposites.com.au | 1800 pavezi  
 www.pavezzicomposites.com.au

| REVISIONS: |              |     |          |
|------------|--------------|-----|----------|
| REV:       | DESCRIPTION: | BY: | DATE:    |
| A          | description  | by  | xx/xx/xx |



**HORIZ. INST. JOINT AT WALL TYP.**

**HORIZ. INST. START TYP.**

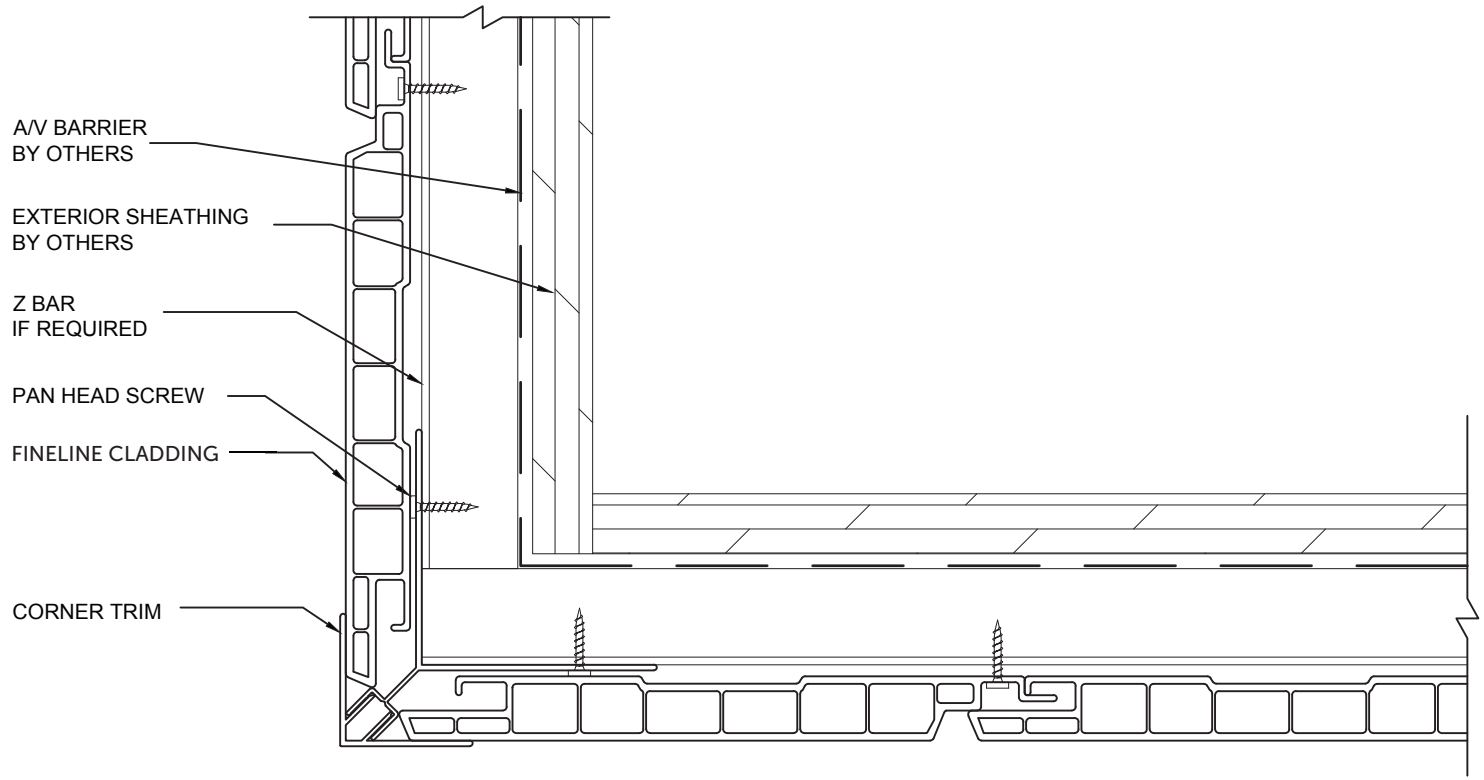
F TRIM (START AND FINISH TRIM) ALSO AVAILABLE

|        |               |              |     |             |    |           |          |
|--------|---------------|--------------|-----|-------------|----|-----------|----------|
| SITE:  | XXX           | DRAWING NO.  | XX  | PROJECT NO. | XX | DATE.     | MM,DD,YY |
| TITLE: | JOINT STARTER | SCALE AT A4. | 1:2 | DRAWN.      | AD | CHECKED.  | XX       |
|        |               |              |     |             |    | REVISION. | 00       |


**PAVEZZI COMPOSITES™**

142-150 Cooper Street, Epping Victoria 3076  
 © info@pavezzicomposites.com.au | 1800 pavezi  
 www.pavezzicomposites.com.au

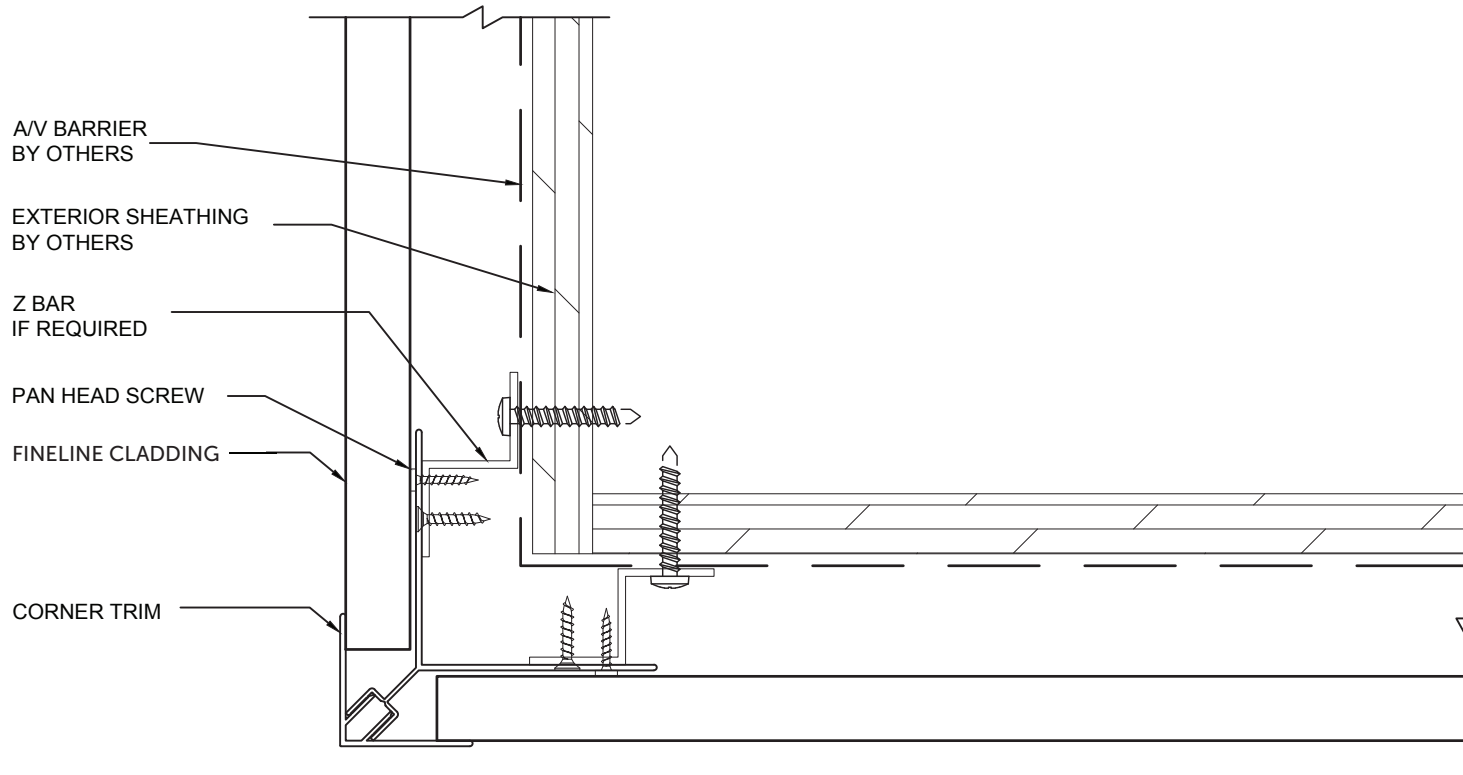
| REVISIONS: |              |     |          |
|------------|--------------|-----|----------|
| REV:       | DESCRIPTION: | BY: | DATE:    |
| A          | description  | by  | xx/xx/xx |




## VERT. INST. CORNER TRIM JOINT

|  |                                    |                                  |                                  |  |
|--|------------------------------------|----------------------------------|----------------------------------|--|
| SITE:<br><div style="font-size: 24px; font-weight: bold; text-align: center;">XXX</div>                  | XX<br><small>DRAWING NO.</small>   | XX<br><small>PROJECT NO.</small> | MM,DD,YY<br><small>DATE.</small> |  <p style="font-size: 10px;">             142-150 Cooper Street, Epping Victoria 3076<br/>             info@pavezzicomposites.com.au   1800 pavezi<br/>             www.pavezzicomposites.com.au           </p> |
| TITLE:<br><div style="font-size: 24px; font-weight: bold; text-align: center;">JOINT @ CORNER TRIM</div> | 1:2<br><small>SCALE AT A4.</small> | AD<br><small>DRAWN.</small>      | XX<br><small>CHECKED.</small>    |  |

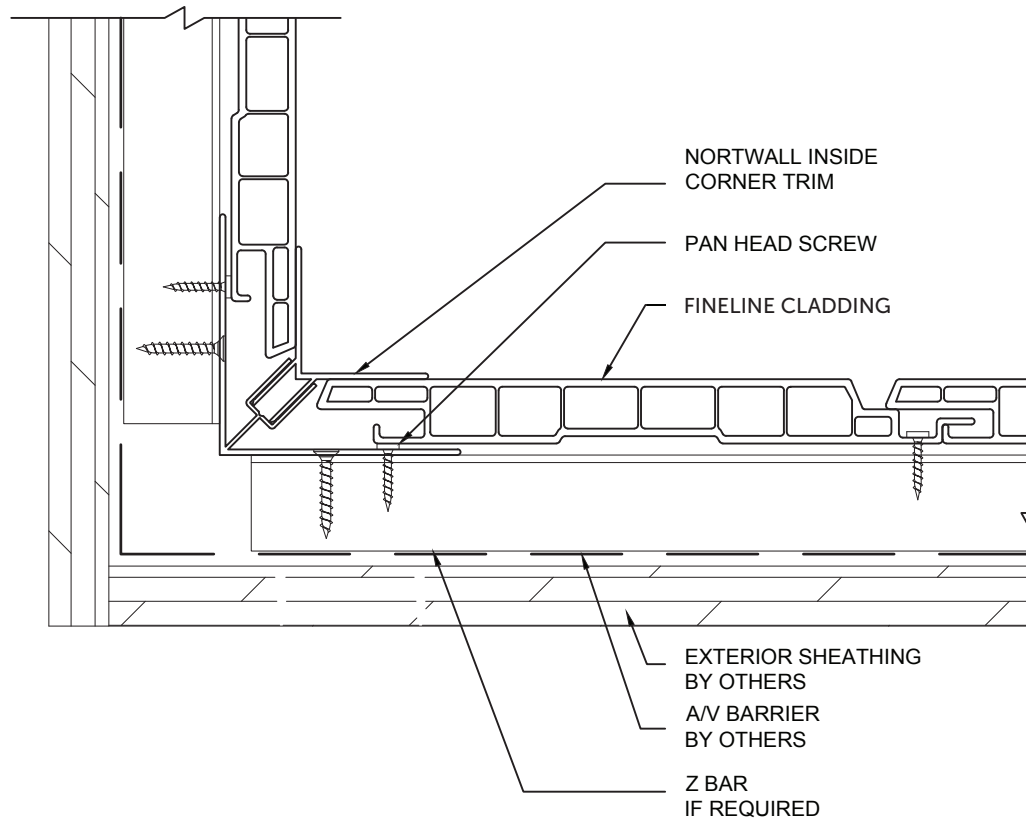
| REVISIONS: |              |     |          |
|------------|--------------|-----|----------|
| REV:       | DESCRIPTION: | BY: | DATE:    |
| A          | description  | by  | xx/xx/xx |



## HORIZ. INST. CORNER TRIM JOINT

|                               |                     |              |                   |                   |   |
|-------------------------------|---------------------|--------------|-------------------|-------------------|---|
| SITE:<br>XXX                  | XX<br>DRAWING NO.   |              | XX<br>PROJECT NO. | MM,DD,YY<br>DATE. |  <p>142-150 Cooper Street, Epping Victoria 3076<br/>         © info@pavezzicomposites.com.au   1800 pavezi<br/>         www.pavezzicomposites.com.au</p> |
| TITLE:<br>JOINT @ CORNER TRIM | 1:2<br>SCALE AT A4. | AD<br>DRAWN. | XX<br>CHECKED.    | 00<br>REVISION.   |   |

| REVISIONS: |              |     |          |
|------------|--------------|-----|----------|
| REV:       | DESCRIPTION: | BY: | DATE:    |
| A          | description  | by  | xx/xx/xx |



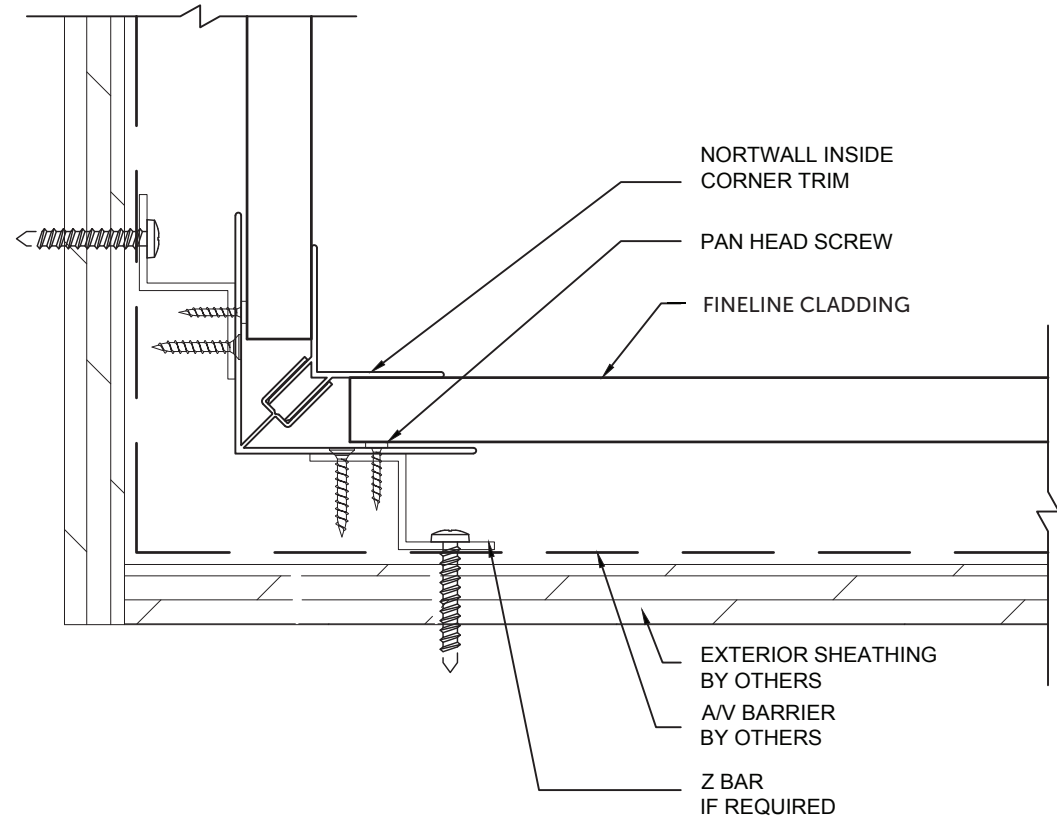
## VERT. INST. INSIDE CORNER TRIM

|        |                    |              |             |           |
|--------|--------------------|--------------|-------------|-----------|
| SITE:  | XXX                | XX           | XX          | MM,DD,YY  |
|        |                    | DRAWING NO.  | PROJECT NO. | DATE.     |
| TITLE: | INSIDE CORNER TRIM | 1:2          | AD          | XX        |
|        |                    | SCALE AT A4. | DRAWN.      | CHECKED.  |
|        |                    |              |             | 00        |
|        |                    |              |             | REVISION. |



142-150 Cooper Street, Epping Victoria 3076  
 © info@pavezzicomposites.com.au | 1800 pavezi  
 www.pavezzicomposites.com.au

| REVISIONS: |              |     |          |
|------------|--------------|-----|----------|
| REV:       | DESCRIPTION: | BY: | DATE:    |
| A          | description  | by  | xx/xx/xx |



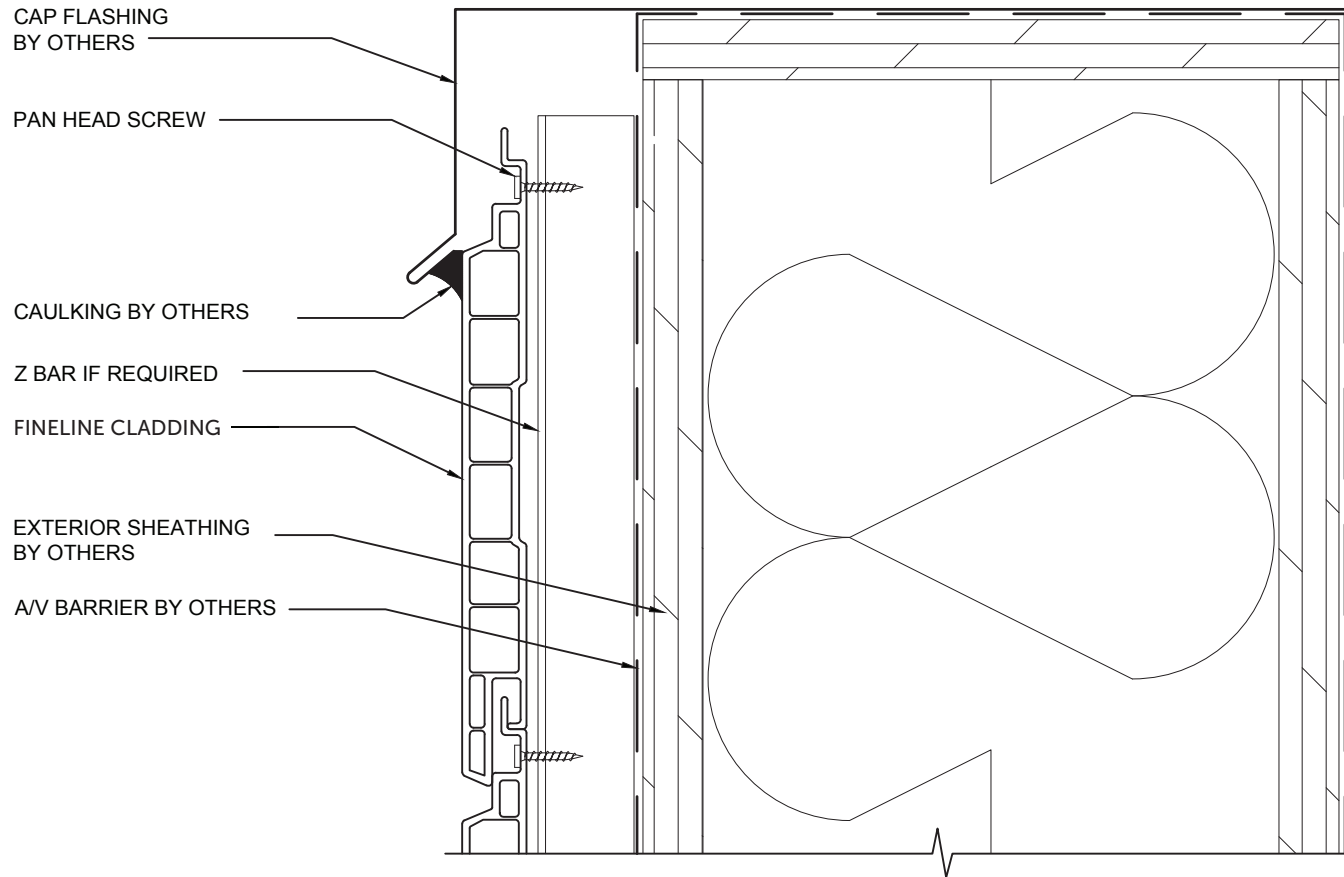
## HORIZ. INST. INSIDE CORNER TRIM

|                              |                     |                   |                             |
|------------------------------|---------------------|-------------------|-----------------------------|
| SITE:<br>XXX                 | XX<br>DRAWING NO.   | XX<br>PROJECT NO. | MM,DD,YY<br>DATE.           |
| TITLE:<br>INSIDE CORNER TRIM | 1:2<br>SCALE AT A4. | AD<br>DRAWN.      | XX 00<br>CHECKED. REVISION. |


**PAVEZZI**  
COMPOSITES™

142-150 Cooper Street, Epping Victoria 3076  
 © info@pavezzicomposites.com.au | 1800 pavezi  
 www.pavezzicomposites.com.au

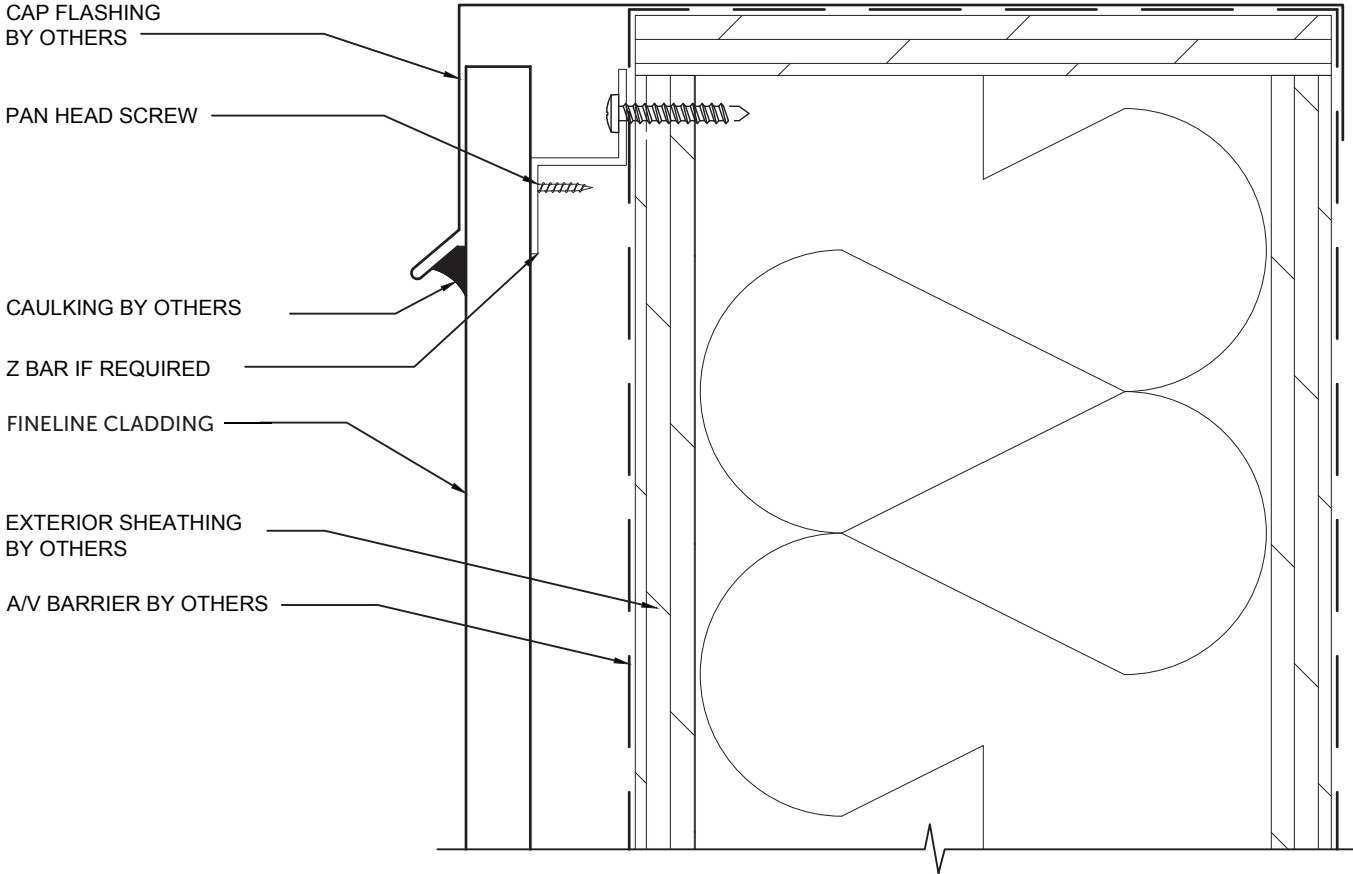
| REVISIONS: |              |     |          |
|------------|--------------|-----|----------|
| REV:       | DESCRIPTION: | BY: | DATE:    |
| A          | description  | by  | xx/xx/xx |



## HORIZ. END AT PARAPET W/CAP FLASHING

|              |   |                     |                   |                   |   |
|--------------|---|---------------------|-------------------|-------------------|---|
| SITE:<br>XXX | XX<br>DRAWING NO.                         |                     | XX<br>PROJECT NO. | MM,DD,YY<br>DATE. |  <p>142-150 Cooper Street, Epping Victoria 3076<br/>         © info@pavezzicomposites.com.au   1800 pavezi<br/>         www.pavezzicomposites.com.au</p> |
|              | TITLE:<br>END @ PARAPET WITH CAP FLASHING | 1:2<br>SCALE AT A4. | AD<br>DRAWN.      | XX<br>CHECKED.    |   |

| REVISIONS: |              |     |          |
|------------|--------------|-----|----------|
| REV:       | DESCRIPTION: | BY: | DATE:    |
| A          | description  | by  | xx/xx/xx |



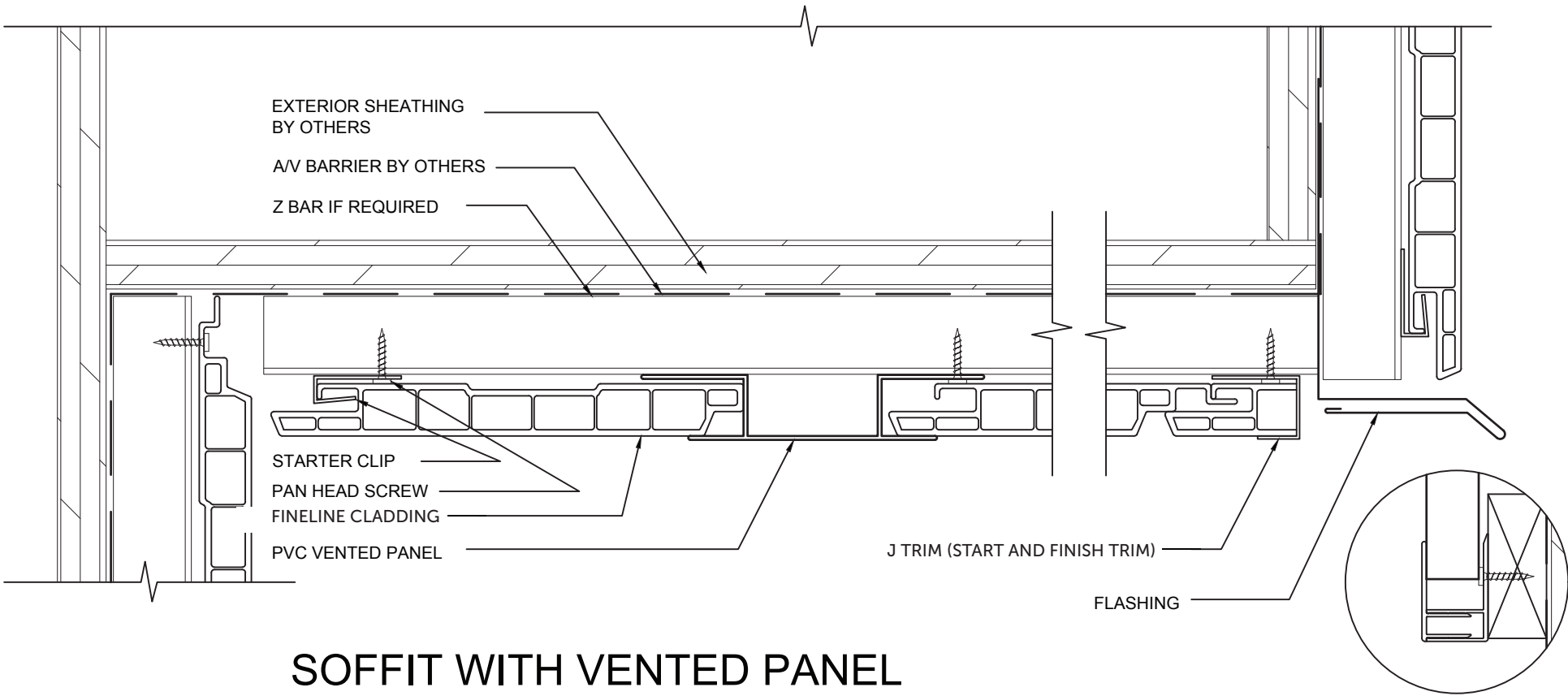
**VERT. END AT PARAPET W/CAP FLASHING**

|   |                     |                   |                   |
|---|---------------------|-------------------|-------------------|
| SITE:<br>XXX                              | DRAWING NO.<br>XX   | PROJECT NO.<br>XX | DATE.<br>MM,DD,YY |
| TITLE:<br>END @ PARAPET WITH CAP FLASHING | SCALE AT A4.<br>1:2 | DRAWN.<br>AD      | CHECKED.<br>XX    |
|   |                     |                   | REVISION.<br>00   |

**PAVEZZI**  
COMPOSITES™

142-150 Cooper Street, Epping Victoria 3076  
 © info@pavezzicomposites.com.au | 1800 pavezi  
 www.pavezzicomposites.com.au

| REVISIONS: |              |     |          |
|------------|--------------|-----|----------|
| REV:       | DESCRIPTION: | BY: | DATE:    |
| A          | description  | by  | xx/xx/xx |



# SOFFIT WITH VENTED PANEL

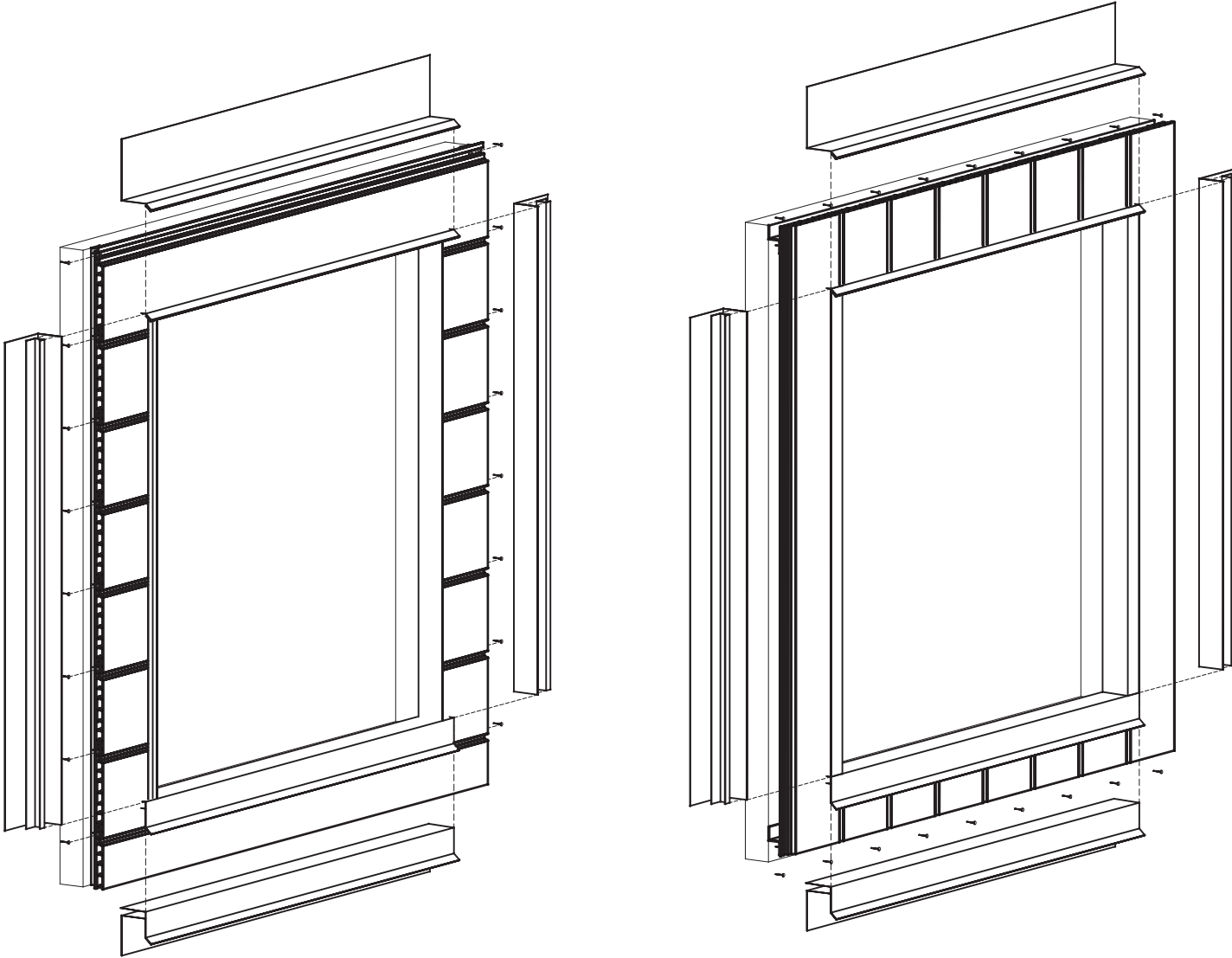
F TRIM (START AND FINISH TRIM) ALSO AVAILABLE


|        |                                 |              |             |                    |
|--------|---------------------------------|--------------|-------------|--------------------|
| SITE:  | XXX                             | XX           | XX          | MM,DD,YY           |
|        |                                 | DRAWING NO.  | PROJECT NO. | DATE.              |
| TITLE: | END @ PARAPET WITH CAP FLASHING | 1:2          | AD          | XX 00              |
|        |                                 | SCALE AT A4. | DRAWN.      | CHECKED. REVISION. |

**PAVEZZI**  
COMPOSITES™

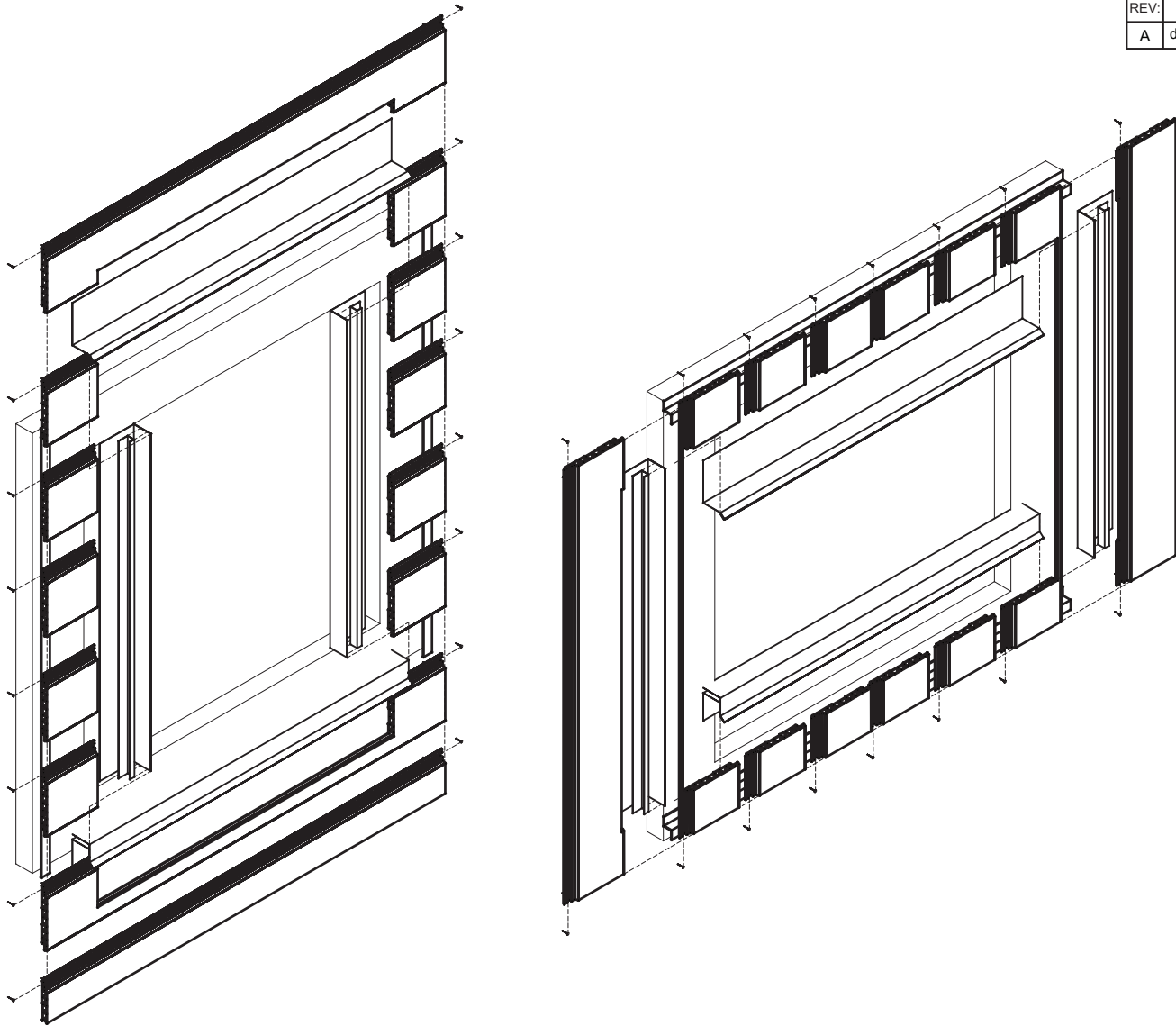
142-150 Cooper Street, Epping Victoria 3076  
 © info@pavezzicomposites.com.au | 1800 pavezi  
 www.pavezzicomposites.com.au

| REVISIONS: |              |     |          |
|------------|--------------|-----|----------|
| REV:       | DESCRIPTION: | BY: | DATE:    |
| A          | description  | by  | xx/xx/xx |



|              |                    |              |                   |                   |   |
|--------------|--------------------|--------------|-------------------|-------------------|---|
| SITE:<br>XXX | DRAWING NO.<br>XX  |              | PROJECT NO.<br>XX | DATE.<br>MM,DD,YY |  <p>142-150 Cooper Street, Epping Victoria 3076<br/>         © info@pavezzicomposites.com.au   1800 pavezi<br/>         www.pavezzicomposites.com.au</p> |
| TITLE:<br>3D | SCALE AT A4.<br>NS | DRAWN.<br>AD | CHECKED.<br>XX    | REVISION.<br>00   |   |

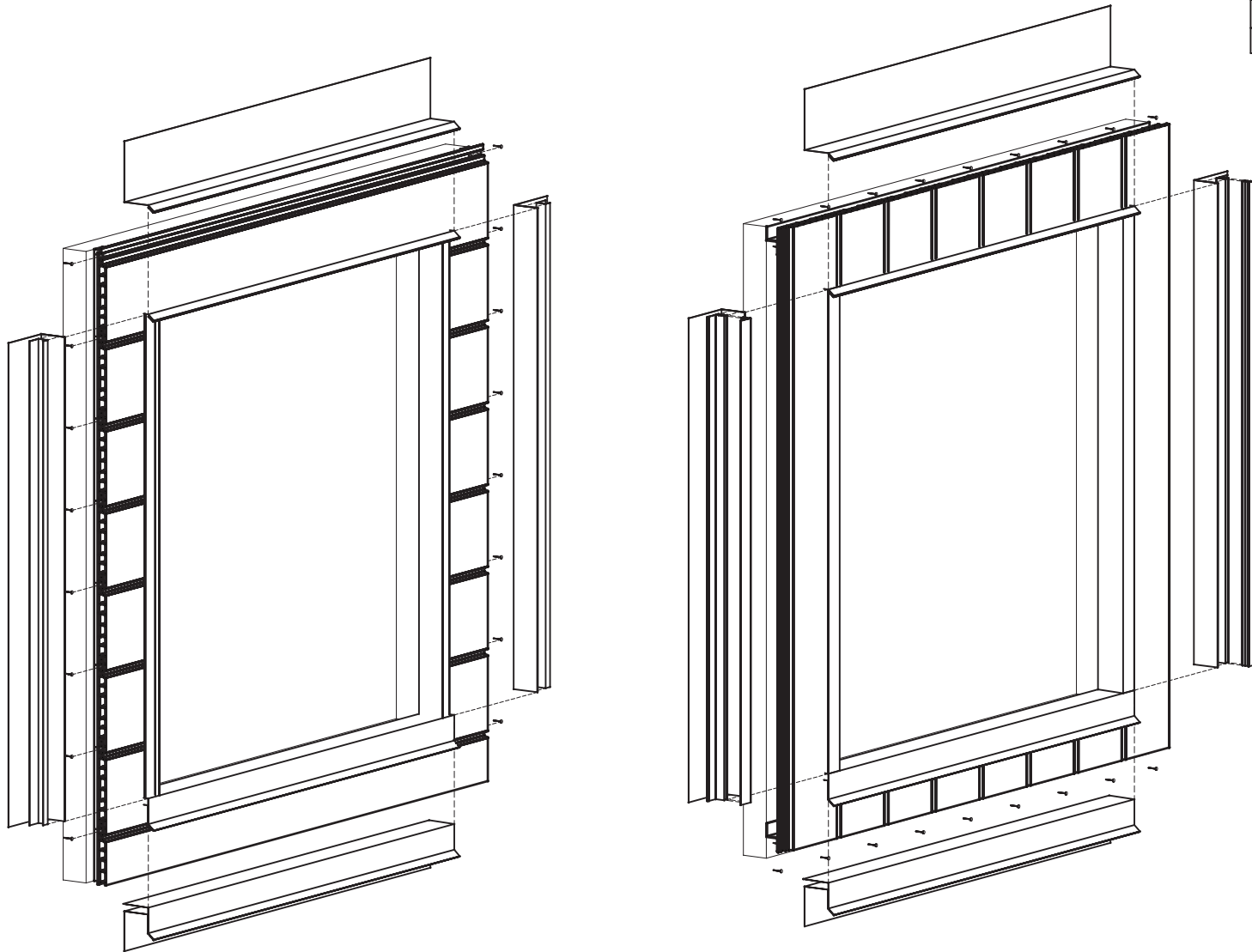
| REVISIONS: |              |     |          |
|------------|--------------|-----|----------|
| REV:       | DESCRIPTION: | BY: | DATE:    |
| A          | description  | by  | xx/xx/xx |




|        |     |              |             |                    |
|--------|-----|--------------|-------------|--------------------|
| SITE:  | XXX | XX           | XX          | MM,DD,YY           |
|        |     | DRAWING NO.  | PROJECT NO. | DATE.              |
| TITLE: | 3D  | NS           | AD          | XX 00              |
|        |     | SCALE AT A4. | DRAWN.      | CHECKED. REVISION. |

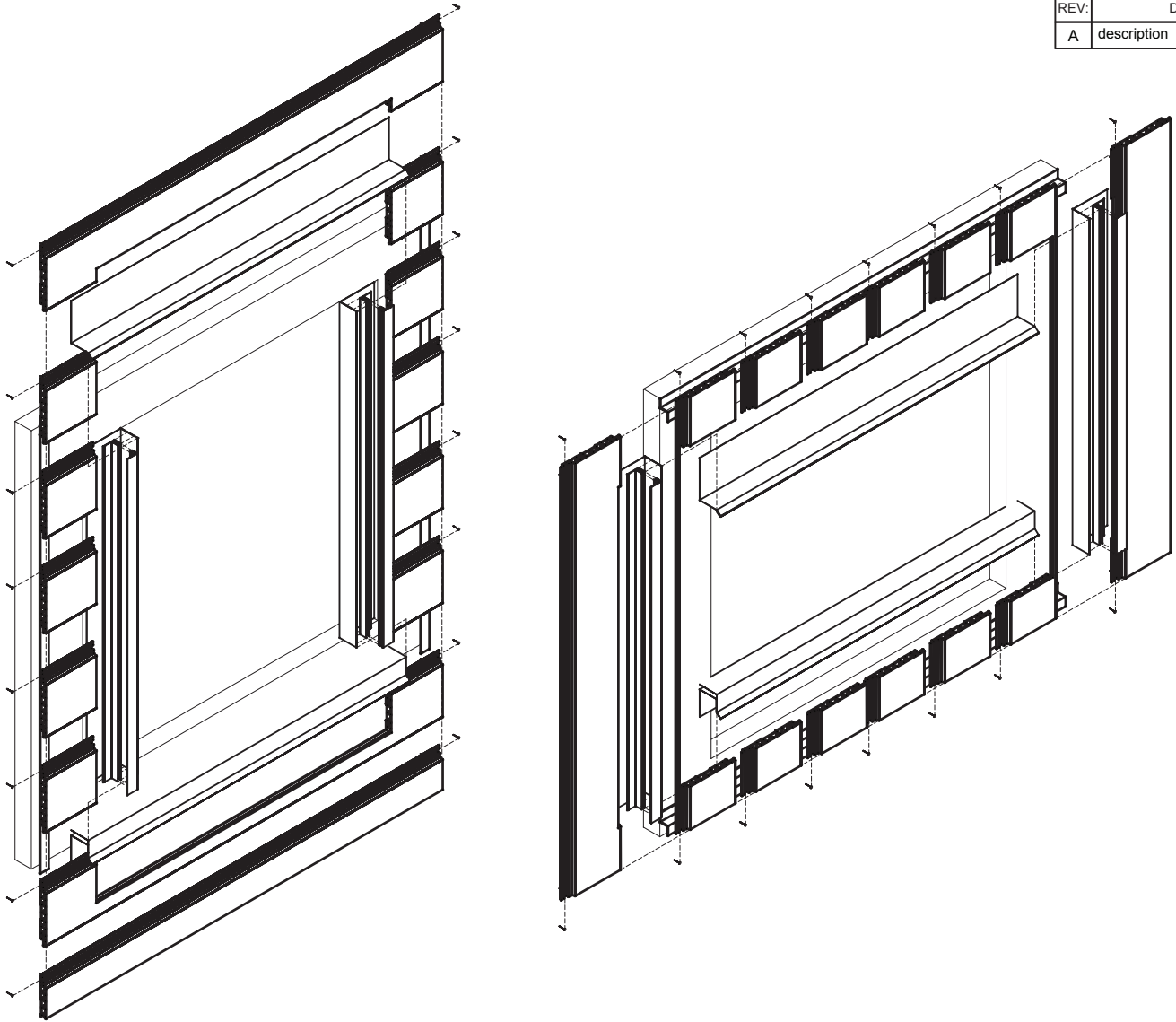

  
 142-150 Cooper Street, Epping Victoria 3076
   
 © info@pavezzicomposites.com.au | 1800 pavezi
   
 www.pavezzicomposites.com.au


| REVISIONS: |              |     |          |
|------------|--------------|-----|----------|
| REV:       | DESCRIPTION: | BY: | DATE:    |
| A          | description  | by  | xx/xx/xx |



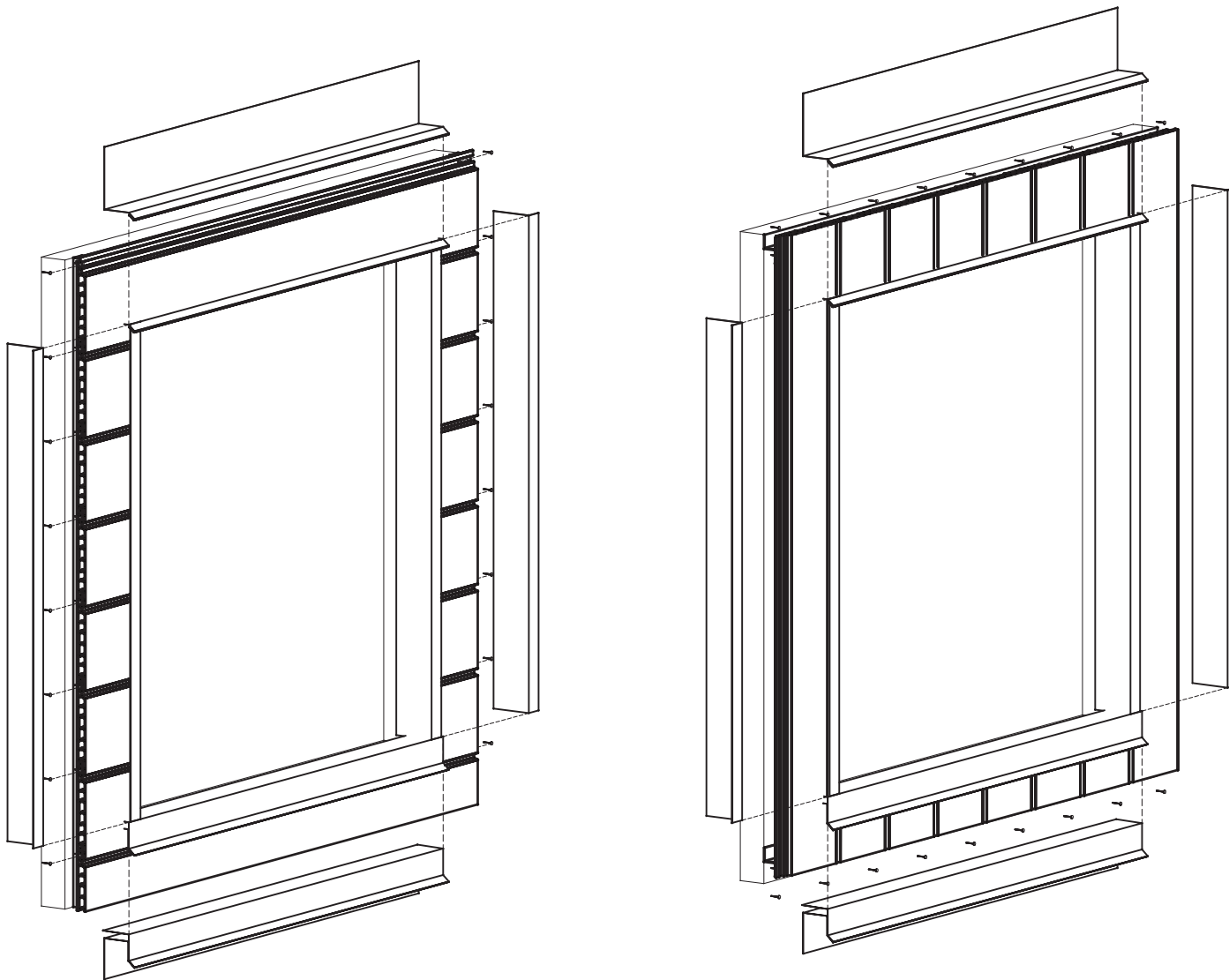
|              |                    |              |                   |                   |   |
|--------------|--------------------|--------------|-------------------|-------------------|---|
| SITE:<br>XXX | XX<br>DRAWING NO.  |              | XX<br>PROJECT NO. | MM,DD,YY<br>DATE. |  <p>142-150 Cooper Street, Epping Victoria 3076<br/>         © info@pavezzicomposites.com.au   1800 pavezi<br/>         www.pavezzicomposites.com.au</p> |
| TITLE:<br>3D | NS<br>SCALE AT A4. | AD<br>DRAWN. | XX<br>CHECKED.    | 00<br>REVISION.   |   |


| REVISIONS: |              |     |          |
|------------|--------------|-----|----------|
| REV:       | DESCRIPTION: | BY: | DATE:    |
| A          | description  | by  | xx/xx/xx |



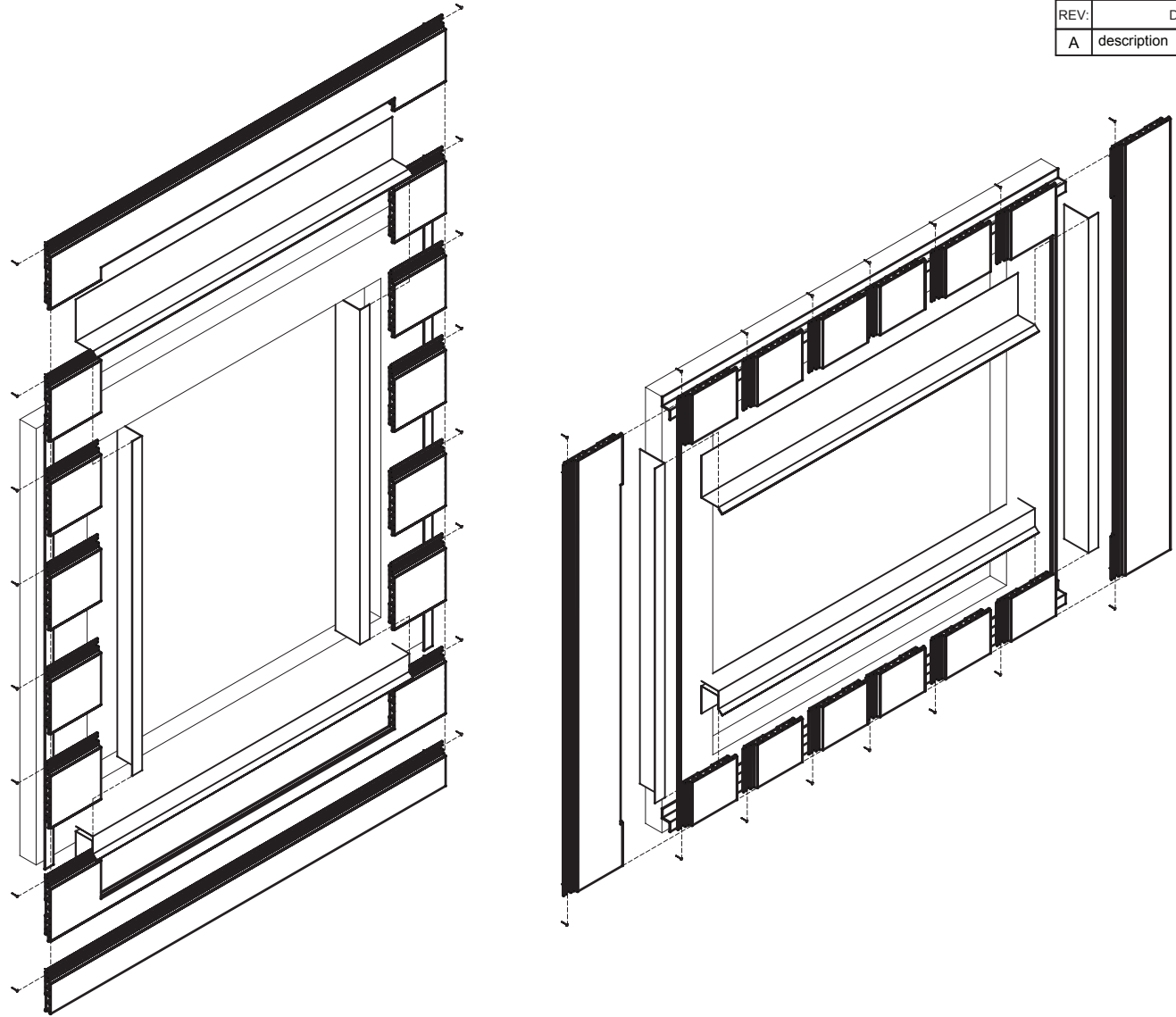
|              |                    |              |                   |                   |   |
|--------------|--------------------|--------------|-------------------|-------------------|---|
| SITE:<br>XXX | DRAWING NO.<br>XX  |              | PROJECT NO.<br>XX | DATE.<br>MM,DD,YY |  <p>142-150 Cooper Street, Epping Victoria 3076<br/>         © info@pavezzicomposites.com.au   1800 pavezi<br/>         www.pavezzicomposites.com.au</p> |
| TITLE:<br>3D | SCALE AT A4.<br>NS | DRAWN.<br>AD | CHECKED.<br>XX    | REVISION.<br>00   |   |


| REVISIONS: |              |     |          |
|------------|--------------|-----|----------|
| REV:       | DESCRIPTION: | BY: | DATE:    |
| A          | description  | by  | xx/xx/xx |



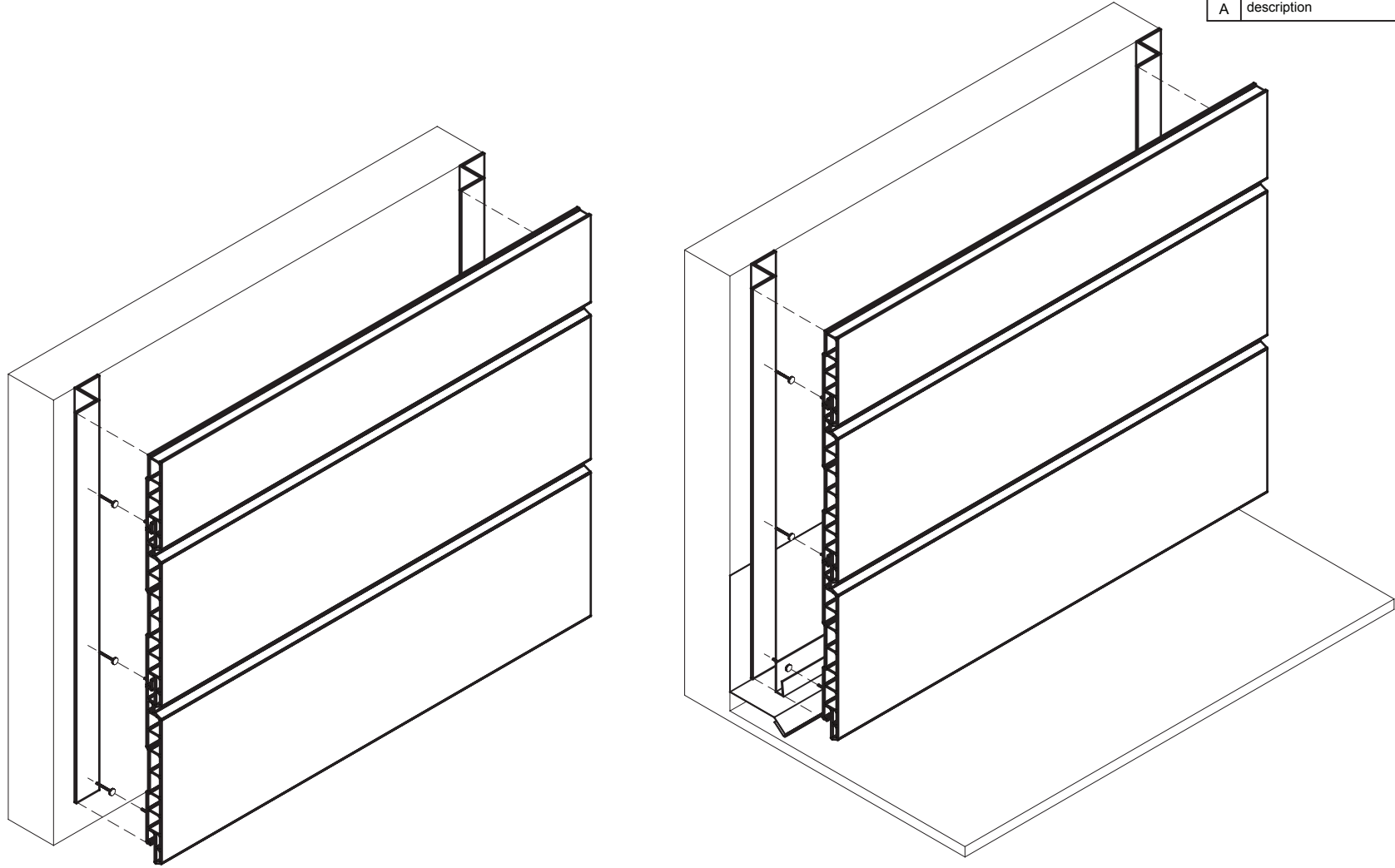
|              |                |                 |                |                |   |
|--------------|----------------|-----------------|----------------|----------------|---|
| SITE:<br>XXX | DRAWING NO. XX |                 | PROJECT NO. XX | DATE. MM,DD,YY |  <p>142-150 Cooper Street, Epping Victoria 3076<br/>         © info@pavezzicomposites.com.au   1800 pavezi<br/>         www.pavezzicomposites.com.au</p> |
|              | TITLE:<br>3D   | SCALE AT A4. NS | DRAWN. AD      | CHECKED. XX    |   |


| REVISIONS: |              |     |          |
|------------|--------------|-----|----------|
| REV:       | DESCRIPTION: | BY: | DATE:    |
| A          | description  | by  | xx/xx/xx |



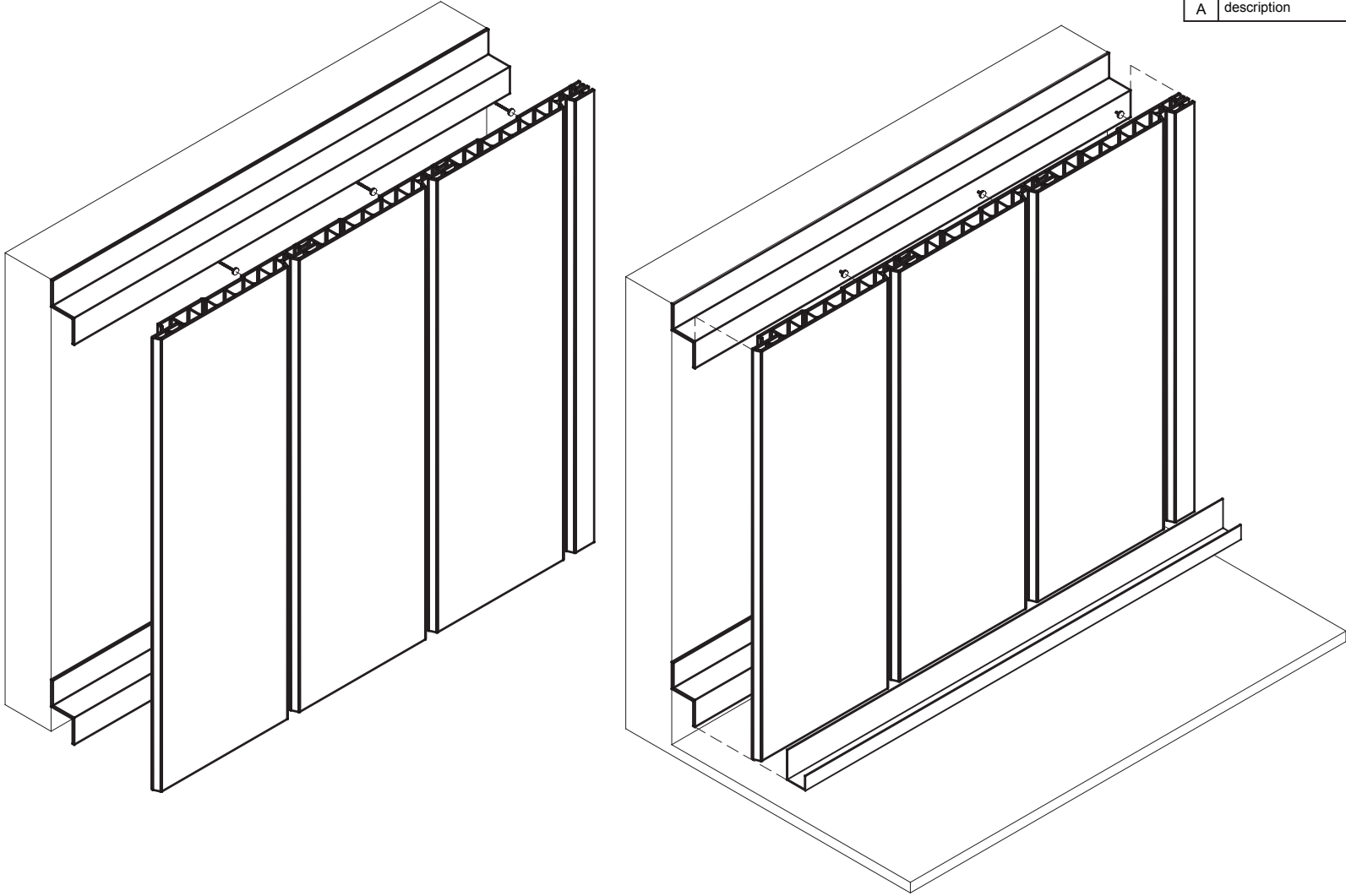
|        |     |             |    |        |          |   |             |    |       |    |          |
|--------|-----|-------------|----|--------|----------|---|-------------|----|-------|----|----------|
| SITE:  | XXX | XX          |    | XX     | MM,DD,YY |  <p>142-150 Cooper Street, Epping Victoria 3076<br/>         © info@pavezzicomposites.com.au   1800 pavezi<br/>         www.pavezzicomposites.com.au</p> |             |    |       |    |          |
| TITLE: | 3D  | DRAWING NO. | NS | DRAWN. | AD       |   | PROJECT NO. | XX | DATE. | 00 | CHECKED. |


| REVISIONS: |              |     |          |
|------------|--------------|-----|----------|
| REV:       | DESCRIPTION: | BY: | DATE:    |
| A          | description  | by  | xx/xx/xx |



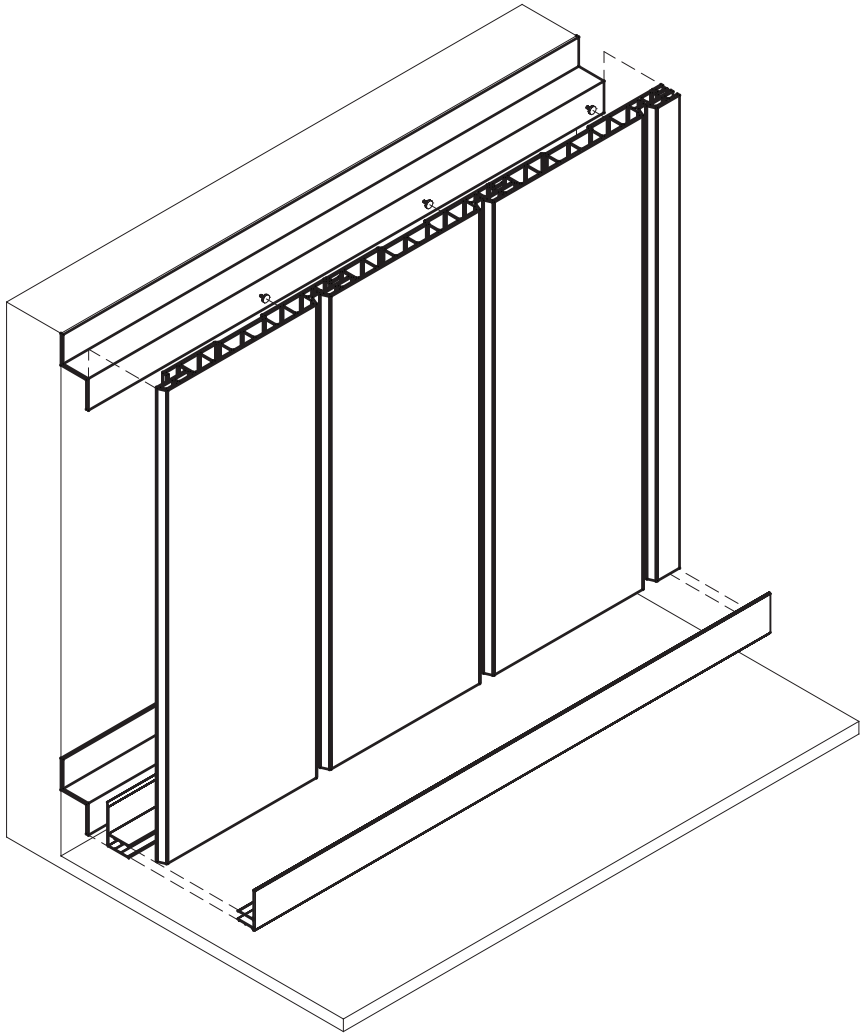
|              |              |        |             |           |   |
|--------------|--------------|--------|-------------|-----------|---|
| SITE:<br>XXX | XX           |        | XX          | MM,DD,YY  |  <p>142-150 Cooper Street, Epping Victoria 3076<br/>         © info@pavezzicomposites.com.au   1800 pavezi<br/>         www.pavezzicomposites.com.au</p> |
|              | DRAWING NO.  |        | PROJECT NO. | DATE.     |   |
| TITLE:<br>3D | NS           | AD     | XX          | 00        |   |
|              | SCALE AT A4. | DRAWN. | CHECKED.    | REVISION. |   |


| REVISIONS: |              |     |          |
|------------|--------------|-----|----------|
| REV:       | DESCRIPTION: | BY: | DATE:    |
| A          | description  | by  | xx/xx/xx |



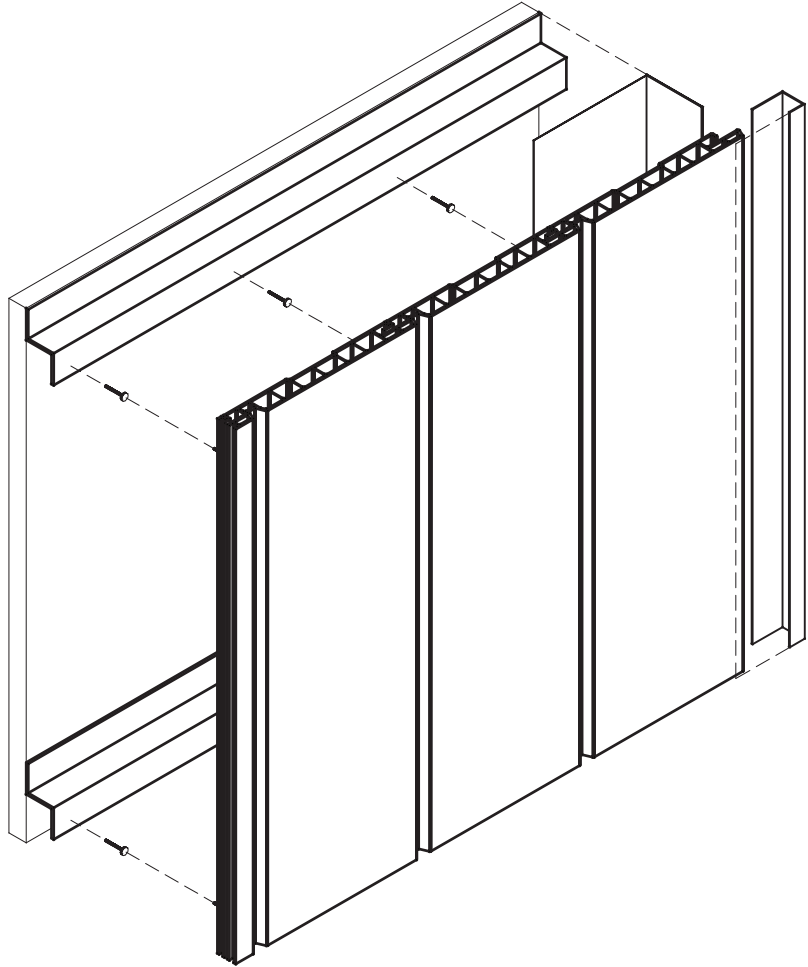
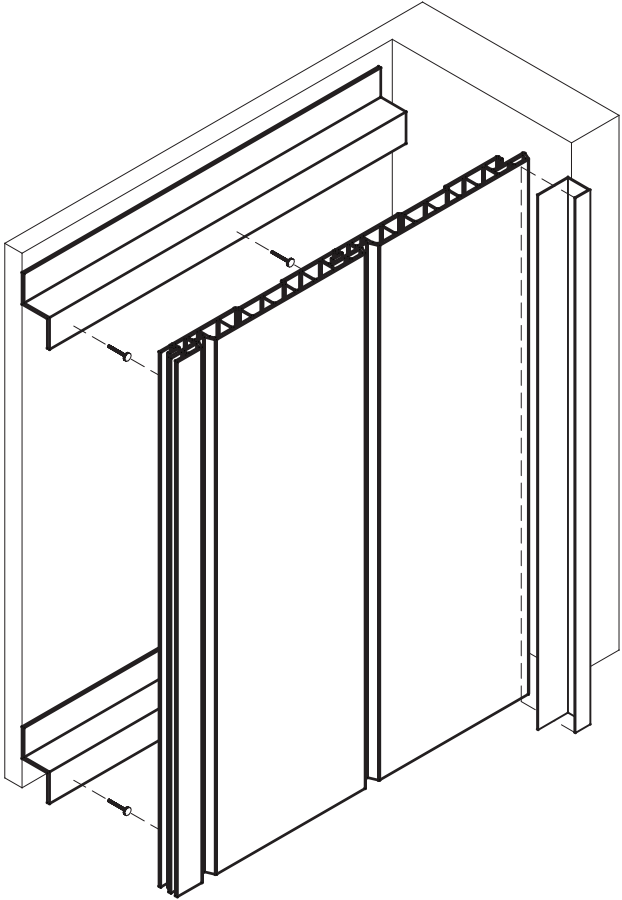
|        |     |              |        |          |   |    |
|--------|-----|--------------|--------|----------|---|----|
| SITE:  | XXX | XX           | XX     | MM,DD,YY |  <p>142-150 Cooper Street, Epping Victoria 3076<br/>         © info@pavezzicomposites.com.au   1800 pavezi<br/>         www.pavezzicomposites.com.au</p> |    |
| TITLE: | 3D  | NS           | AD     | XX       |   | 00 |
|        |     | SCALE AT A4. | DRAWN. | CHECKED. | REVISION.   |    |


| REVISIONS: |              |     |          |
|------------|--------------|-----|----------|
| REV:       | DESCRIPTION: | BY: | DATE:    |
| A          | description  | by  | xx/xx/xx |



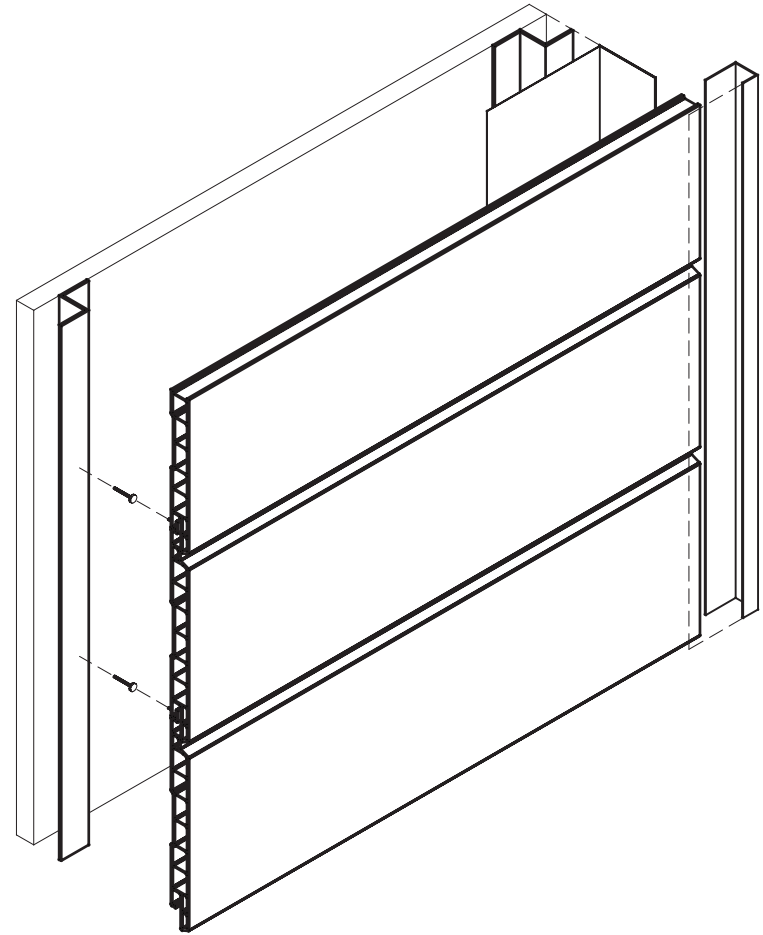
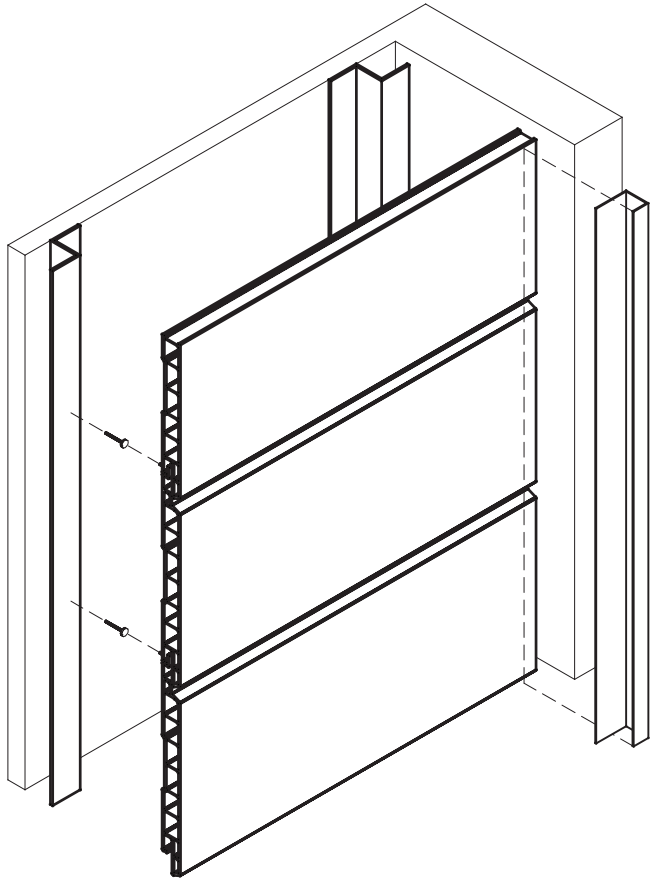
|              |                    |              |                   |                   |   |
|--------------|--------------------|--------------|-------------------|-------------------|---|
| SITE:<br>XXX | DRAWING NO.<br>XX  |              | PROJECT NO.<br>XX | DATE.<br>MM,DD,YY |  <p>142-150 Cooper Street, Epping Victoria 3076<br/>         © info@pavezzicomposites.com.au   1800 pavezi<br/>         www.pavezzicomposites.com.au</p> |
| TITLE:<br>3D | SCALE AT A4.<br>NS | DRAWN.<br>AD | CHECKED.<br>XX    | REVISION.<br>00   |   |


| REVISIONS: |              |     |          |
|------------|--------------|-----|----------|
| REV:       | DESCRIPTION: | BY: | DATE:    |
| A          | description  | by  | xx/xx/xx |



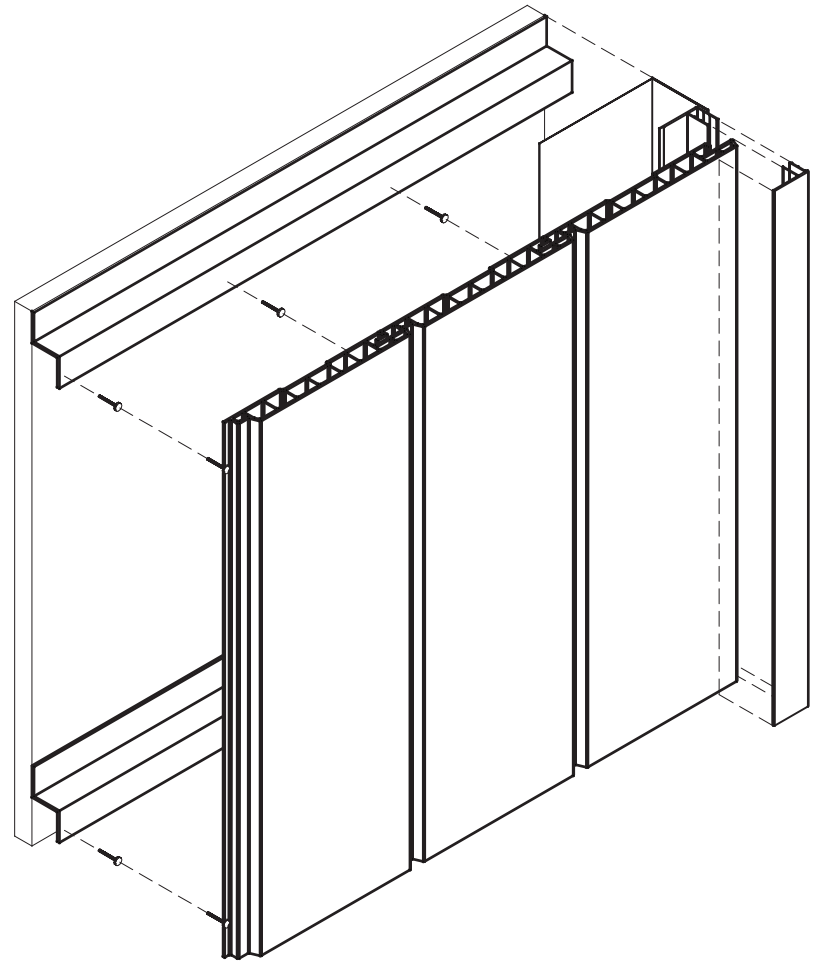
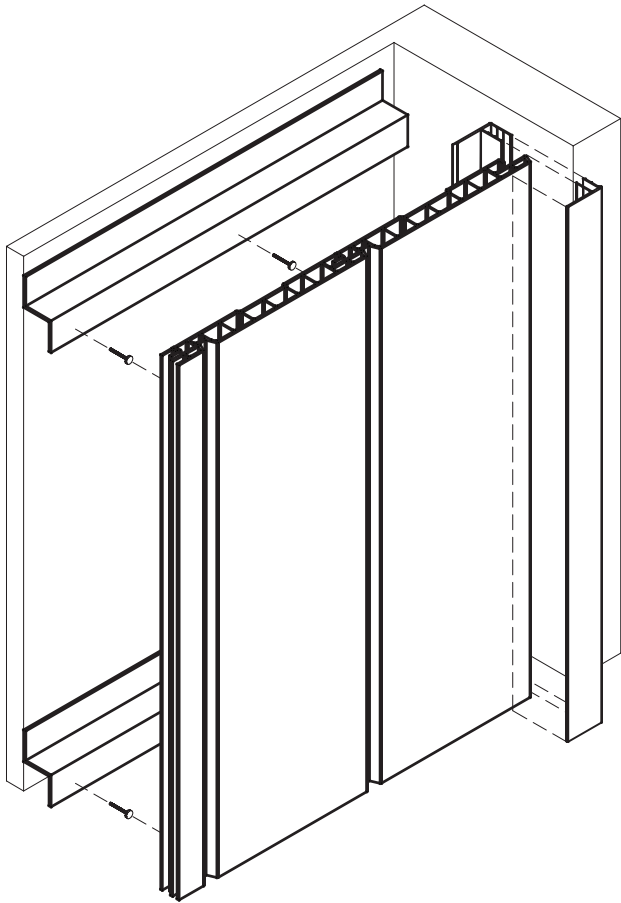
|              |                    |              |                   |                   |   |
|--------------|--------------------|--------------|-------------------|-------------------|---|
| SITE:<br>XXX | XX<br>DRAWING NO.  |              | XX<br>PROJECT NO. | MM,DD,YY<br>DATE. |  <p>142-150 Cooper Street, Epping Victoria 3076<br/>         © info@pavezzicomposites.com.au   1800 pavezi<br/>         www.pavezzicomposites.com.au</p> |
| TITLE:<br>3D | NS<br>SCALE AT A4. | AD<br>DRAWN. | XX<br>CHECKED.    | 00<br>REVISION.   |   |


| REVISIONS: |              |     |          |
|------------|--------------|-----|----------|
| REV:       | DESCRIPTION: | BY: | DATE:    |
| A          | description  | by  | xx/xx/xx |



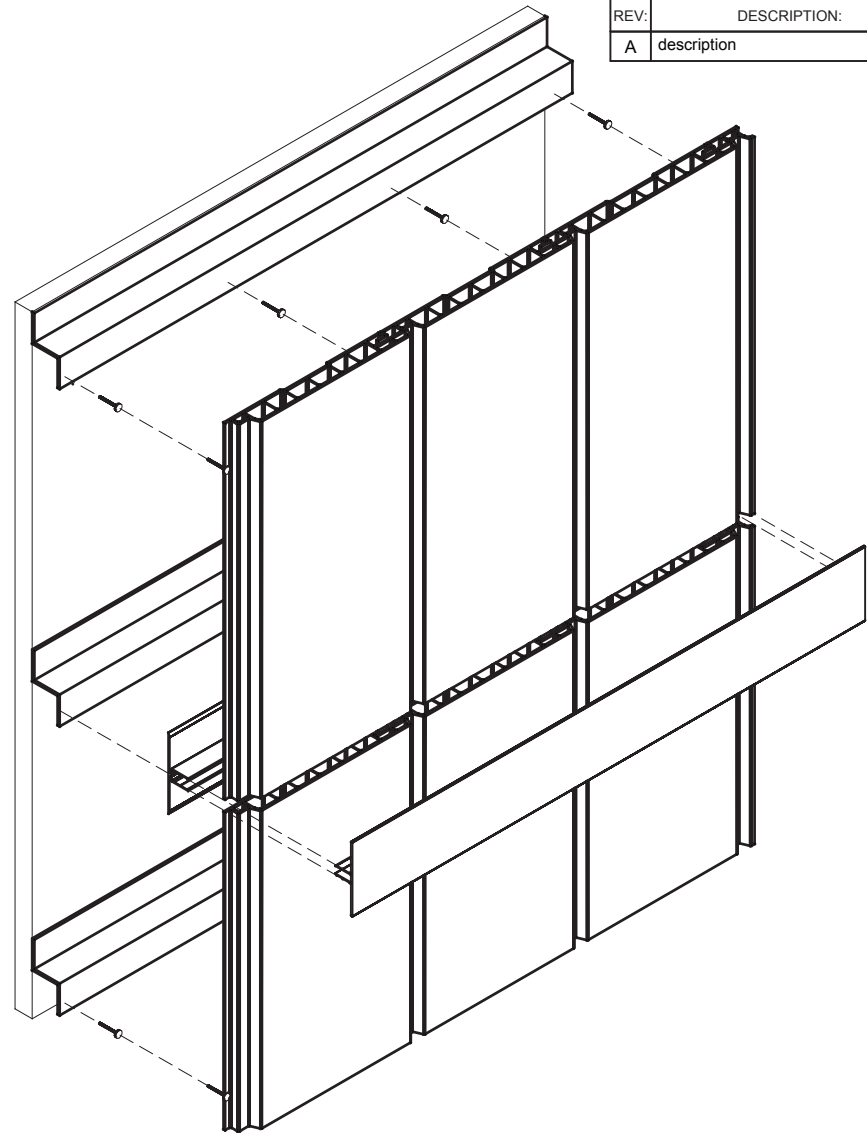
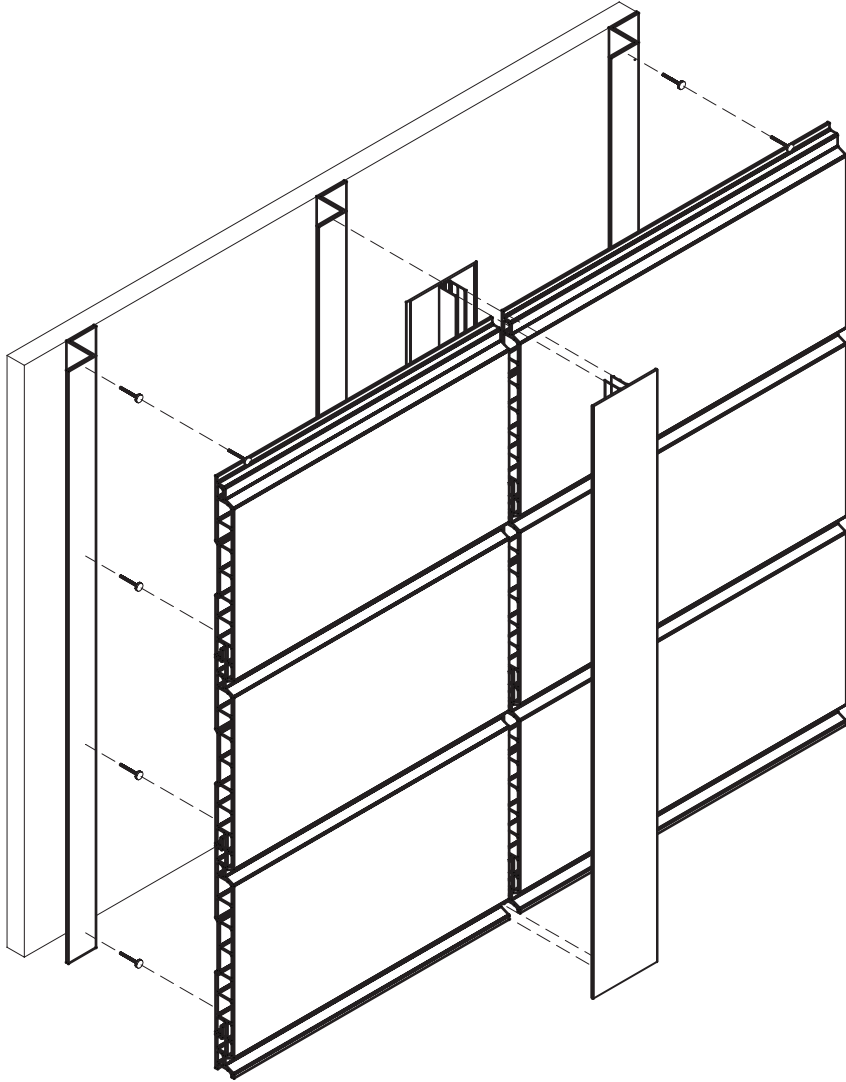
|              |              |        |             |           |   |
|--------------|--------------|--------|-------------|-----------|---|
| SITE:<br>XXX | XX           |        | XX          | MM,DD,YY  |  <p>142-150 Cooper Street, Epping Victoria 3076<br/>         © info@pavezzicomposites.com.au   1800 pavezi<br/>         www.pavezzicomposites.com.au</p> |
|              | DRAWING NO.  |        | PROJECT NO. | DATE.     |   |
| TITLE:<br>3D | NS           | AD     | XX          | 00        |   |
|              | SCALE AT A4. | DRAWN. | CHECKED.    | REVISION. |   |


| REVISIONS: |              |     |          |
|------------|--------------|-----|----------|
| REV:       | DESCRIPTION: | BY: | DATE:    |
| A          | description  | by  | xx/xx/xx |

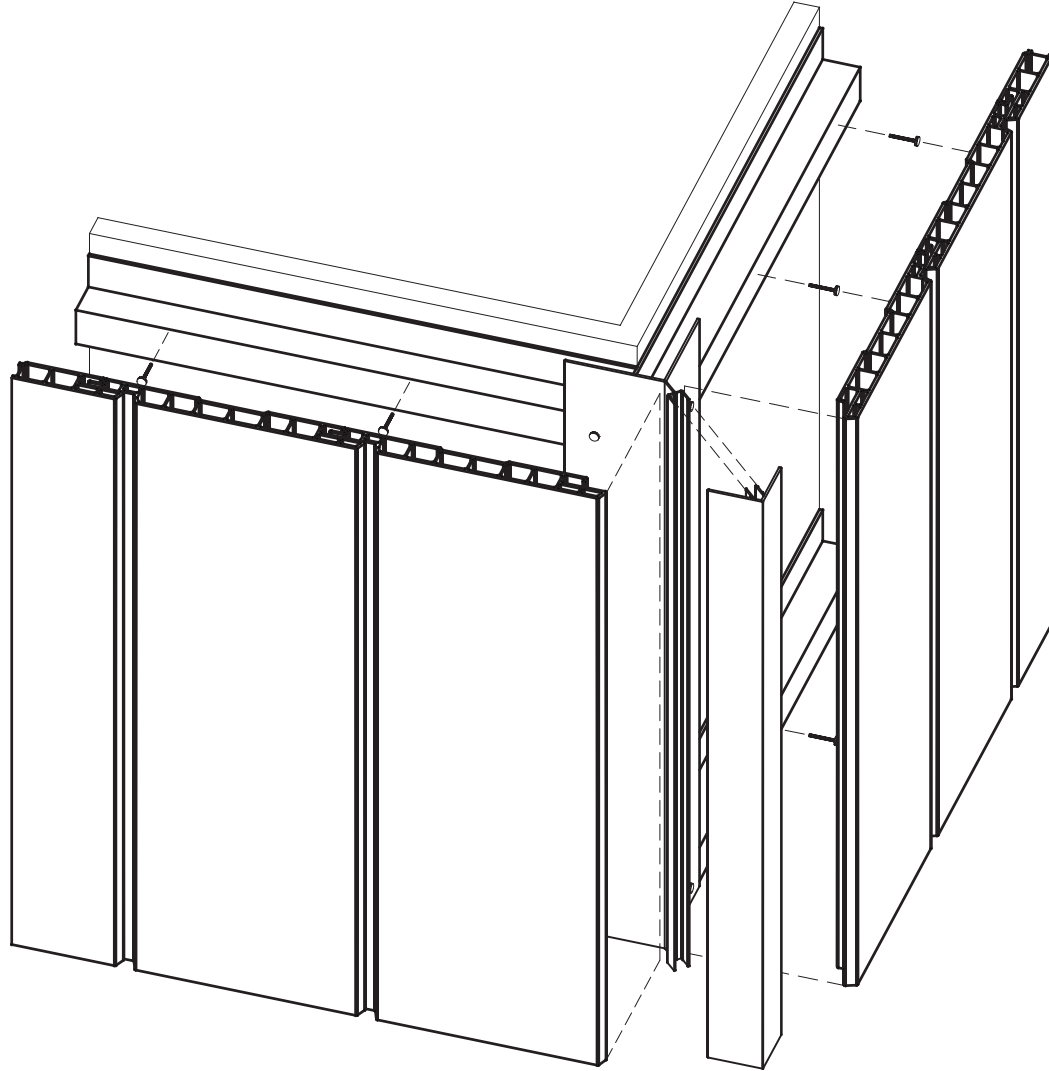


|              |              |        |             |           |   |
|--------------|--------------|--------|-------------|-----------|---|
| SITE:<br>XXX | XX           |        | XX          | MM,DD,YY  |  <p>142-150 Cooper Street, Epping Victoria 3076<br/>         © info@pavezzicomposites.com.au   1800 pavezi<br/>         www.pavezzicomposites.com.au</p> |
|              | DRAWING NO.  |        | PROJECT NO. | DATE.     |   |
| TITLE:<br>3D | NS           | AD     | XX          | 00        |   |
|              | SCALE AT A4. | DRAWN. | CHECKED.    | REVISION. |   |

| REVISIONS: |              |     |          |
|------------|--------------|-----|----------|
| REV:       | DESCRIPTION: | BY: | DATE:    |
| A          | description  | by  | xx/xx/xx |



|              |                    |              |                   |                   |   |
|--------------|--------------------|--------------|-------------------|-------------------|---|
| SITE:<br>XXX | XX<br>DRAWING NO.  |              | XX<br>PROJECT NO. | MM,DD,YY<br>DATE. |  <p>142-150 Cooper Street, Epping Victoria 3076<br/>         © info@pavezzicomposites.com.au   1800 pavezi<br/>         www.pavezzicomposites.com.au</p> |
| TITLE:<br>3D | NS<br>SCALE AT A4. | AD<br>DRAWN. | XX<br>CHECKED.    | 00<br>REVISION.   |   |



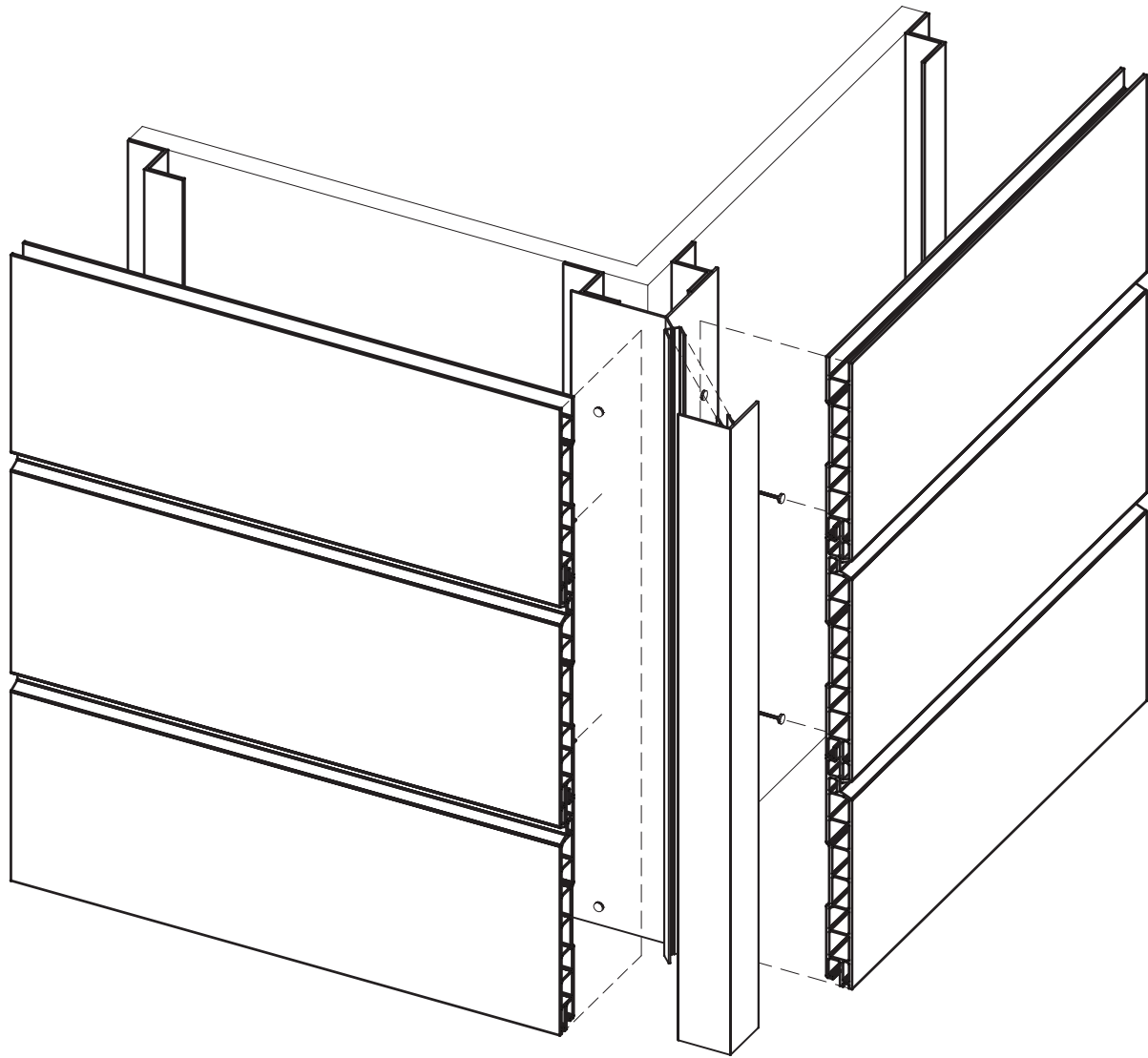
| REVISIONS: |              |     |          |
|------------|--------------|-----|----------|
| REV:       | DESCRIPTION: | BY: | DATE:    |
| A          | description  | by  | xx/xx/xx |

|        |     |              |             |           |
|--------|-----|--------------|-------------|-----------|
| SITE:  | XXX | XX           | XX          | MM,DD,YY  |
|        |     | DRAWING NO.  | PROJECT NO. | DATE.     |
| TITLE: | 3D  | NS           | AD          | XX        |
|        |     | SCALE AT A4. | DRAWN.      | CHECKED.  |
|        |     |              |             | 00        |
|        |     |              |             | REVISION. |

**PAVEZZI**  
COMPOSITES™

142-150 Cooper Street, Epping Victoria 3076  
 © info@pavezzicomposites.com.au | 1800 pavezi  
 www.pavezzicomposites.com.au

| REVISIONS: |              |     |          |
|------------|--------------|-----|----------|
| REV:       | DESCRIPTION: | BY: | DATE:    |
| A          | description  | by  | xx/xx/xx |

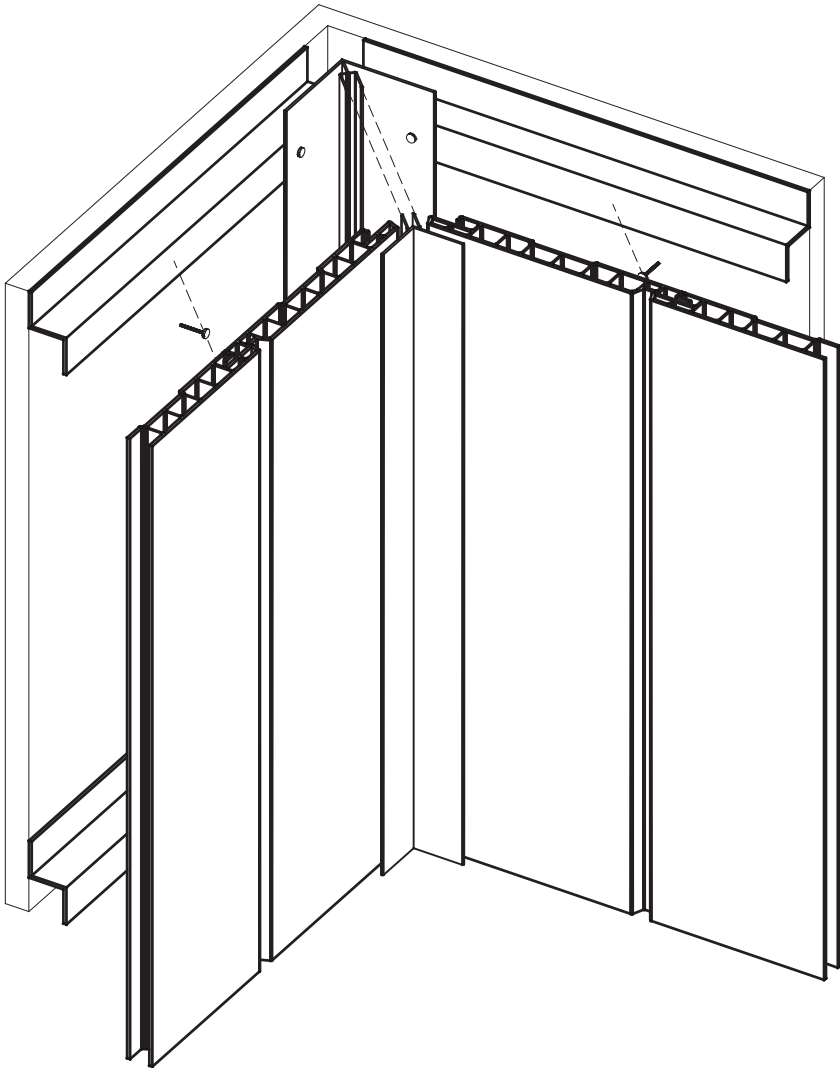


|              |                    |              |                   |                   |
|--------------|--------------------|--------------|-------------------|-------------------|
| SITE:<br>XXX | XX<br>DRAWING NO.  |              | XX<br>PROJECT NO. | MM,DD,YY<br>DATE. |
| TITLE:<br>3D | NS<br>SCALE AT A4. | AD<br>DRAWN. | XX<br>CHECKED.    | 00<br>REVISION.   |

**PAVEZZI**  
COMPOSITES™

142-150 Cooper Street, Epping Victoria 3076  
 © info@pavezzicomposites.com.au | 1800 pavezi  
 www.pavezzicomposites.com.au

| REVISIONS: |              |     |          |
|------------|--------------|-----|----------|
| REV:       | DESCRIPTION: | BY: | DATE:    |
| A          | description  | by  | xx/xx/xx |

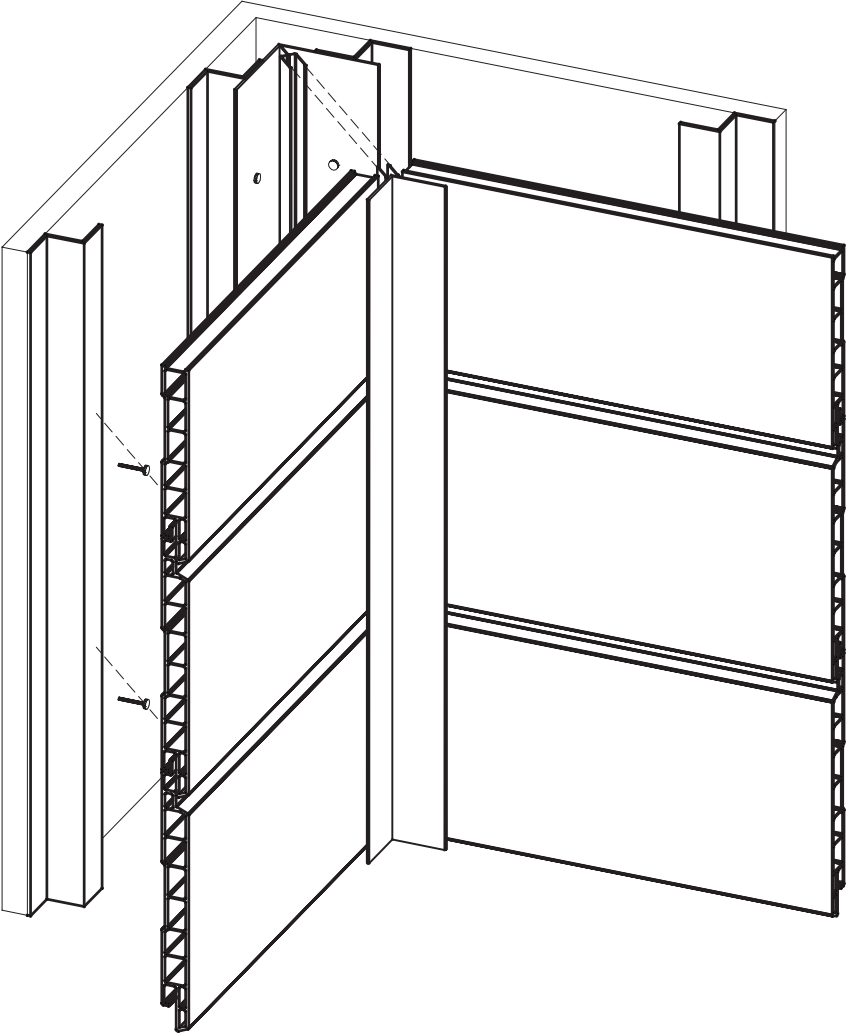


|              |                    |              |                   |                   |
|--------------|--------------------|--------------|-------------------|-------------------|
| SITE:<br>XXX | XX<br>DRAWING NO.  |              | XX<br>PROJECT NO. | MM,DD,YY<br>DATE. |
| TITLE:<br>3D | NS<br>SCALE AT A4. | AD<br>DRAWN. | XX<br>CHECKED.    | 00<br>REVISION.   |

**PAVEEZZI**  
COMPOSITES™

📍 142-150 Cooper Street, Epping Victoria 3076  
 © info@paveezzicomposites.com.au | 📞 1800 pavezzi  
 🌐 www.paveezzicomposites.com.au

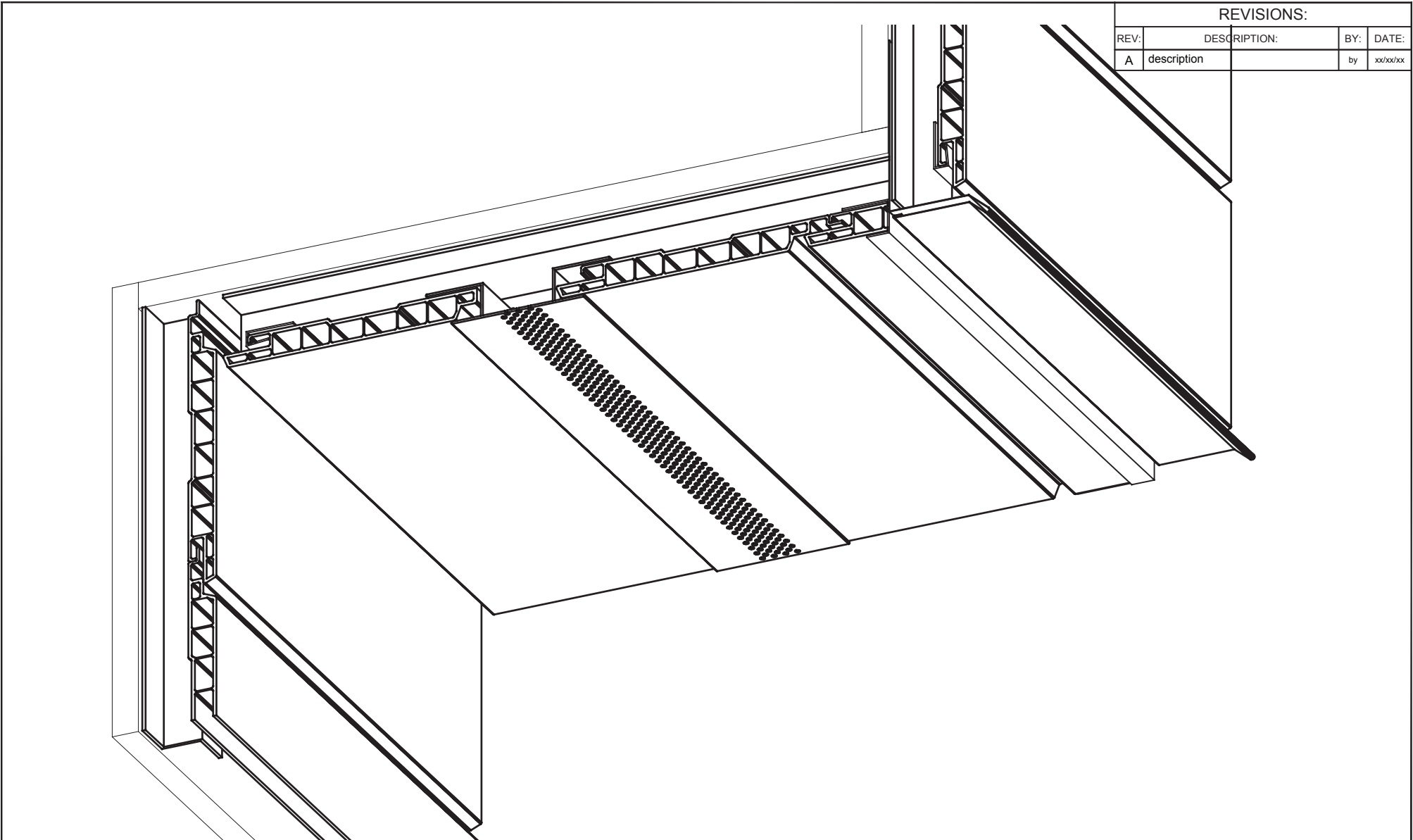
| REVISIONS: |              |     |          |
|------------|--------------|-----|----------|
| REV:       | DESCRIPTION: | BY: | DATE:    |
| A          | description  | by  | xx/xx/xx |



|              |                    |              |                   |                   |
|--------------|--------------------|--------------|-------------------|-------------------|
| SITE:<br>XXX | XX<br>DRAWING NO.  |              | XX<br>PROJECT NO. | MM,DD,YY<br>DATE. |
| TITLE:<br>3D | NS<br>SCALE AT A4. | AD<br>DRAWN. | XX<br>CHECKED.    | 00<br>REVISION.   |

**PAVEZZI**  
COMPOSITES™

142-150 Cooper Street, Epping Victoria 3076  
 © info@pavezzicomposites.com.au | 1800 pavezi  
 www.pavezzicomposites.com.au



| REVISIONS: |              |     |          |
|------------|--------------|-----|----------|
| REV:       | DESCRIPTION: | BY: | DATE:    |
| A          | description  | by  | xx/xx/xx |

SITE: XXX

XX  
DRAWING NO.

XX  
PROJECT NO.

MM,DD,YY  
DATE.

TITLE: 3D

NS  
SCALE AT A4.

AD  
DRAWN.

XX  
CHECKED.

00  
REVISION.



142-150 Cooper Street, Epping Victoria 3076  
 © info@pavezzicomposites.com.au | 1800 pavezi  
 www.pavezzicomposites.com.au